



Enclosed Cabinet Base Serving Counter

Stainless Steel Cabinet Base Serving Counter



Use your smart phone to scan the above QR code to visit our website:
www.bk-resources.com

Certifications:



Shown with optional casters

Features:

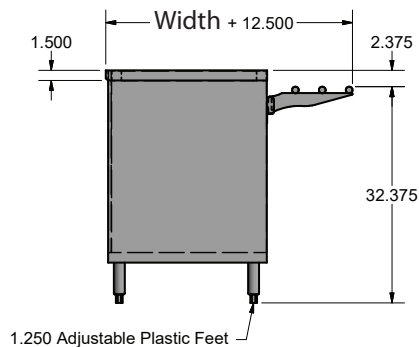
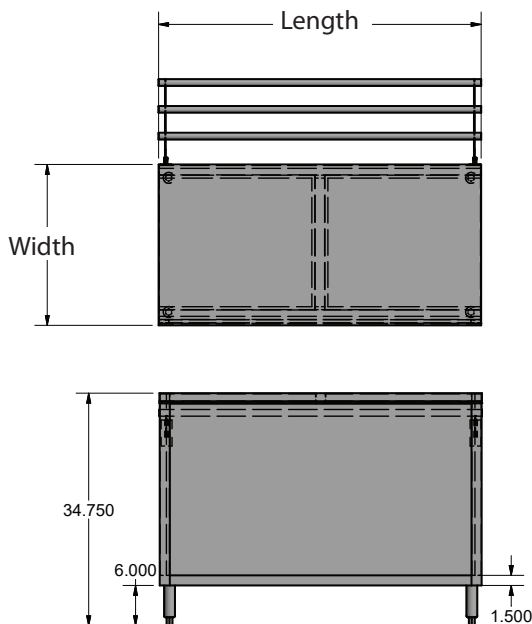
- 34^{3/4}" Height
- Drop Shelf for serving trays
- 3-10 day lead time

Material:

- 14 Gauge Stainless Steel Top
- 18 ga. Stainless Steel Body
- Standard Stainless Steel Legs

| 24" Deep Cabinet | Base Model No Doors | Sliding Doors | Hinged Doors | Hinged Doors with Lock |
|------------------|---------------------|---------------|--------------|------------------------|
| 24" x 48" | SECT-2448 | SECT-2448S | SECT-2448H | SECT-2448HL |
| 24" x 60" | SECT-2460 | SECT-2460S | SECT-2460H | SECT-2460HL |
| 24" x 72" | SECT-2472 | SECT-2472S | SECT-2472H | SECT-2472HL |

| 30" Deep Cabinet | Base Model No Doors | Sliding Doors | Hinged Doors | Hinged Doors with Lock |
|------------------|---------------------|---------------|--------------|------------------------|
| 30" x 48" | SECT-3048 | SECT-3048S | SECT-3048H | SECT-3048HL |
| 30" x 60" | SECT-3060 | SECT-3060S | SECT-3060H | SECT-3060HL |
| 30" x 72" | SECT-3072 | SECT-3072S | SECT-3072H | SECT-3072HL |



PRODUCT DATA SHEET

BK RESOURCES

