



ICE CHEST WITH BOTTLE STORAGE



SD36-24CTL+10

FEATURES:

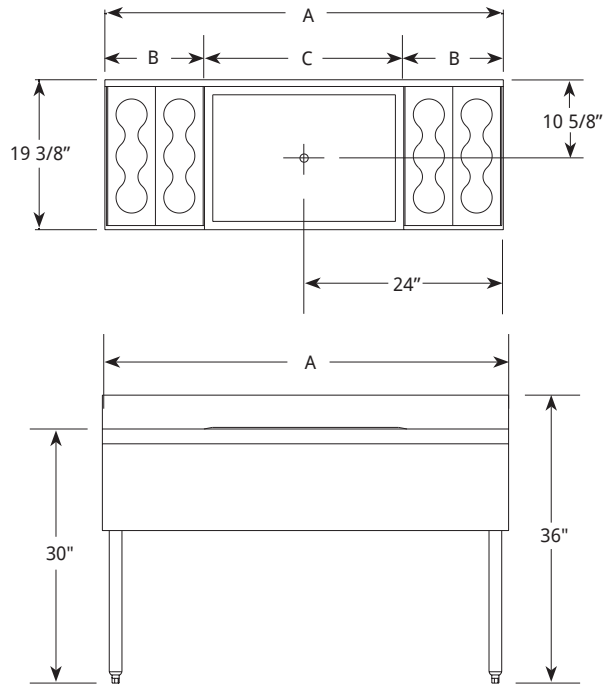
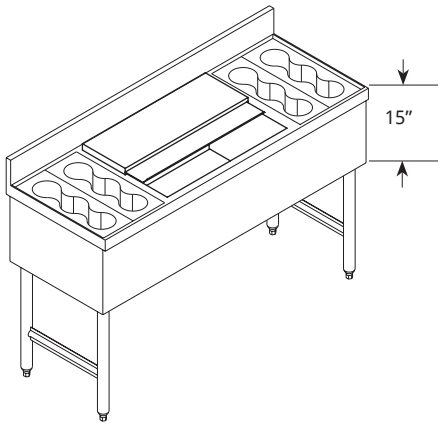
- 304 Stainless Steel, Welded and Polished Top Assembly, Front Apron and Ends
- 304 Stainless Steel Insulated Ice Bin
- Available in Different Lengths and/or with 36" Ice Chest
- Legs: Steel Tube and Welded Cross-Brace Construction with Corrosion-Resistant Hammerton Paint and High-Impact Plastic Adjustable Feet
- Drain is 1/2" Standard Female Pipe Thread
- Includes Four Removable, High-Impact ABS Bottle Storage Wells
- Includes 304 Stainless Steel Cover.
- Constructed to Meet NSF Specifications

MODEL NUMBERS:

Description	Model
Ice Chests w/ Bottle Wells	SD36-24CT (L, R) +10
	SD42-30CT (L, R) +10
	SD48-24CTC +10

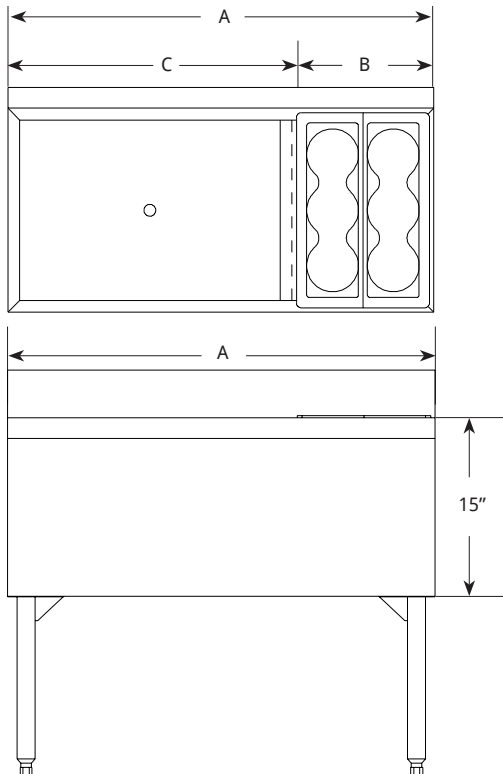
ICE CHEST WITH BOTTLE WELLS

CENTER CHEST:

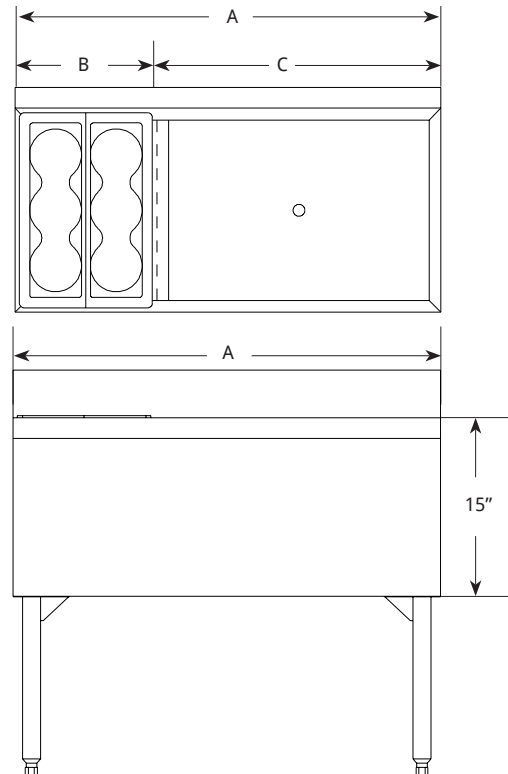


Model	A	B	C
SD48-24CTC (+10)	48"	12"	24"

LEFT CHEST:



RIGHT CHEST:



Model	A	B	C
SD36-24CT (L, R) +10	36"	12"	24"
SD42-30CT (L, R) +10	42"	12"	30"

L#1006.1016