



### KD-110 ~ KD-70 ~ KD-50

#### COCKTAIL SERIES

The KOLD-DRAFT Cocktail Series of Ice Machines provides consumers with a top-shelf choice for ice that matches their top-shelf beverage. The KOLD-DRAFT Cocktail Series produces a Cocktail Cube measuring 1" x 1" x 1 1/4". The KOLD-DRAFT Cocktail Series consists of three machines with daily ice production of 50lbs, 70lbs or 110 lbs. KOLD-DRAFT equipment offers some of the best recovery rates in the industry, too. You get more ice, more often.

#### ICE

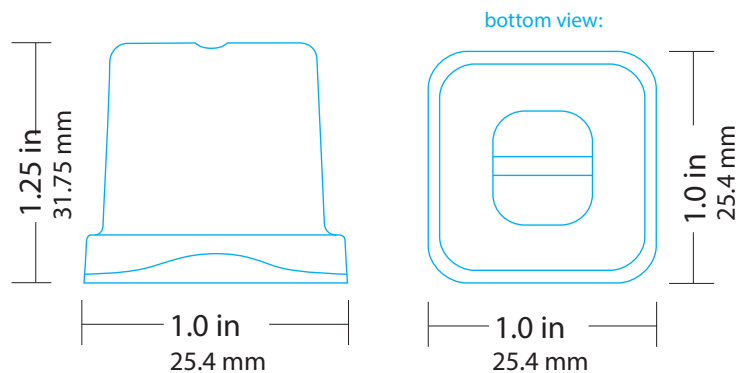
KOLD-DRAFT ice machines produce cubes known for their shape, purity, hardness, and slower melt rate. That means it not only looks better, but it tastes better and lasts longer in storage bins, cocktail sinks, drinks, salad bars, bags, and coolers. All KOLD-DRAFT ice machines feature a unique "upside-down" horizontal evaporator and water plate assembly. As water is sprayed upward into the evaporator cells, the pure water freezes first while particulates and air are forced out and dumped at the end of each cycle. This leaves only perfect cubes, nearly as pure as distilled water.

#### ADVANTAGES

- Automatic ice making
- Adjustable ice thickness . Low, medium, and high setting.
- Better ice quality, appearance, and clarity
- Special cleaning mode
- Easy operation
- Excellent insulation. Stores ice for a long time while saving energy!

#### actual size ice Cubes:

##### Cocktail Cube:



## COCKTAIL SERIES ICE MACHINE

### THE KOLD-DRAFT COCKTAIL SERIES

The **KD-110** produces up to 110 lbs. of ice per day and has storage capacity of 60 lbs.

The **KD-70** produces up to 70 lbs. of ice per day and has storage capacity of 40 lbs.

The **KD-50** produces up to 50 lbs. of ice per day and has storage capacity of 26.5 lbs.

### Dimensions/Weight (with 6" legs)

| Model  | Unit Dimensions / inches (cm) |                 |                 | Shipping Weight |
|--------|-------------------------------|-----------------|-----------------|-----------------|
|        | W                             | D               | H               |                 |
| KD-110 | 24.8" (62.99cm)               | 20.7" (52.58cm) | 36.7" (93.21cm) | 130 lb (59kg)   |
| KD-70  | 19.7" (50.03cm)               | 17" (43.18cm)   | 36.7" (93.21cm) | 110 lb (50kg)   |
| KD-50  | 15.5" (39.37cm)               | 17.7" (44.95cm) | 36.7" (93.21cm) | 95 lb (43kg)    |

### Recommended Operating Requirements:

|                        | MIN.               | MAX.               |
|------------------------|--------------------|--------------------|
| Room Temp.             | 45°F (7°C)         | 90°F (32°C)        |
| Water Temp.            | 45°F (7°C)         | 90°F (32°C)        |
| Voltage                | 104V               | 126V               |
| Potable Water Pressure | 5 PSIG (0.034 MPA) | 100 PSIG (0.6 MPA) |

### Plumbing:

1/4" hose  
Drain

### Exterior Finish:

300 Series stainless steel

### Refrigeration System:

Refrigerant is R134A

### Clearance Requirements:

Front must be completely unobstructed, at least 4" of clearance on the back, and 0.6" clearance for the top and sides.



### Cocktail Series Daily Capacities: Lbs. of ice per 24 hours per unit

| Model Number | Electrical Volt/Hz/Ph | Condenser  | Cube Size | Ice Capacity 24 Hours lbs. (kg)         |   | Energy Input 90°F/70°F kWh/100# (kJ/kg) | Tier | Water Use gal/100# (l/kg) 90°F/70°F |           | Min. Circuit Amp | Max. Fuse Size Amps |
|--------------|-----------------------|------------|-----------|---|---|---|------|-------------------------------------|-----------|------------------|---------------------|
|              |                       |            |           | 70°F (21°C) / 50°F (10°C) Ambient/Water | 90°F (32°C) / 70°F (21°C) Ambient/Water |   |      | Potable                             | Condenser |                  |                     |
| KD-110       | 115/60/1              | Air Cooled | Large     | 118 (53.5)                              | 107 (48.5)                              | 8.9 (738.1)                             | I    | 15.89 (1.1)                         | n/a       | 7                | 15                  |
| KD-70        |                       |            |           | 82 (37.2)                               | 73 (33.11)                              | 9.2 (761.9)                             |      | 21.67 (1.8)                         |           | 5                |                     |
| KD-50        |                       |            |           | 59 (26.7)                               | 43 (19.5)                               | 12.9 (1023.8)                           |      | 20.11 (1.7)                         |           | 5                |                     |