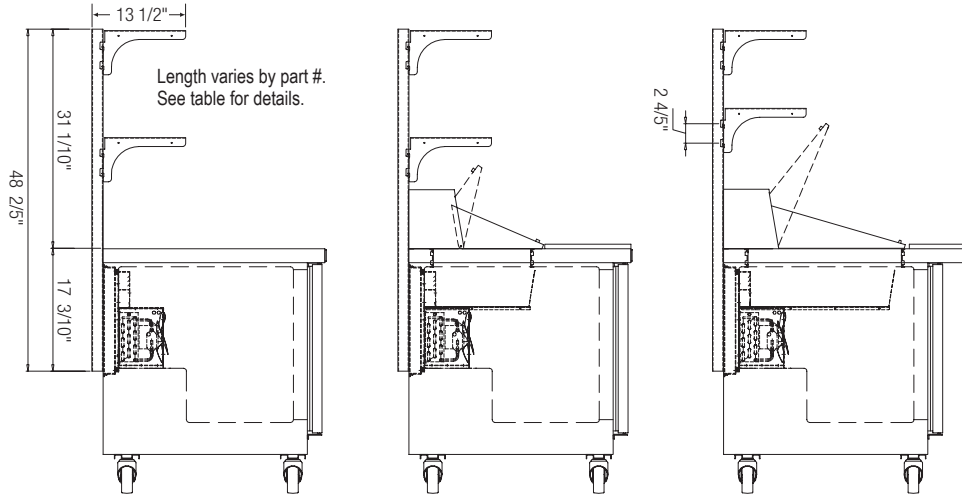


Overshelf Spec Sheet

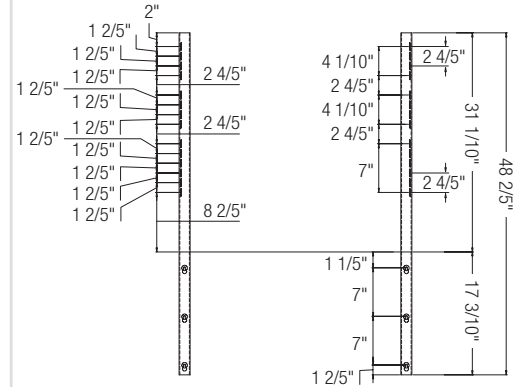
For **Back Mount** Undercounters & Prep Tables



Side View



Shelf Spacing



Shelf

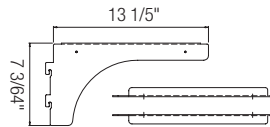
Equipped with 2 shelves.

Length varies by part #. See table for details.



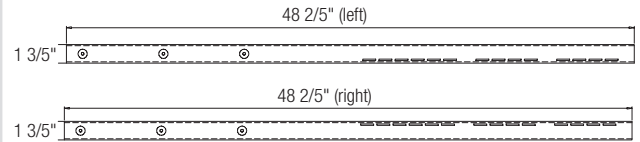
Supporting Arm

Equipped with 2 left arms and 2 right arms.



Pilaster

Equipped with 1 left pilaster and 1 right pilaster.



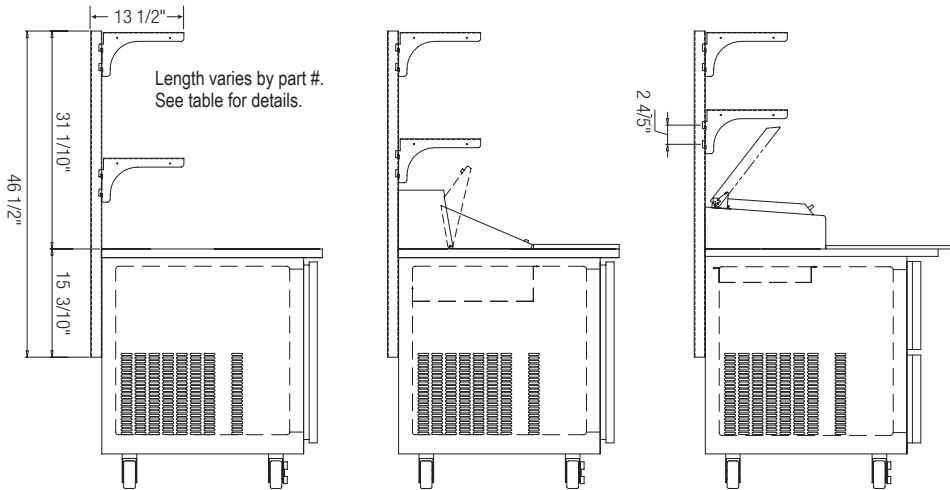
Overshelf Part #	Shelf QTY	Weight Capacity	Length	Depth	Height	Added Height	Applicable Models
OS20-00	2	66 lbs per shelf	27"	13 1/2"	48 2/5"	31 1/10"	ETBR1, ETBR1-D2, ETBR1-LAB, ETBF1, ETBF1-LAB, EPBNR1, EPBNR1-D2, EPBR1, EOTP1
OS21-00	2	66 lbs per shelf	35"	13 1/2"	48 2/5"	31 1/10"	ETBSR2, ETBSR2-D2, ETBSF2, EPBNSR2, EPBNSR2-D2, EPBSR2, EOTPS2
OS22-00	2	55 lbs per shelf	47"	13 1/2"	48 2/5"	31 1/10"	ETBR2, ETBR2-D4, ETBF2, EPBNR2, EPBNR2-D4, EBPR2, EOTP2
OS23-00	2	55 lbs per shelf	59"	13 1/2"	48 2/5"	31 1/10"	ETBWR2, ETBWR2-D4, ETBWF2, EPBNWR2, EPBNWR2-D4, EPBWR2, EOTPW2
OS24-00	2	44 lbs per shelf	71"	13 1/2"	48 2/5"	31 1/10"	ETBR3, ETBR3-D2, ETBF3, EPBNR3, EPBNR3-D2, EPBR3, EOTP3

Overshelf Spec Sheet

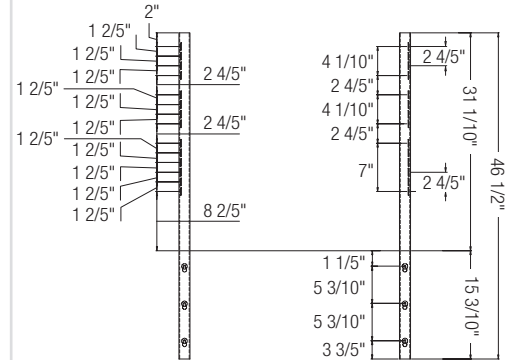
For Side Mount Undercounters & Prep Tables



Side View



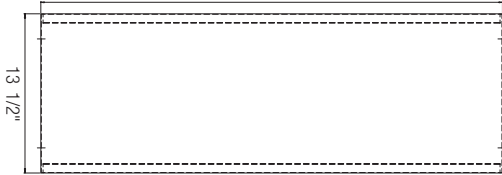
Shelf Spacing



Shelf

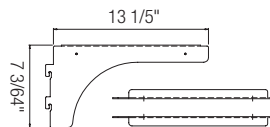
Equipped with 2 shelves.

Length varies by part #. See table for details.



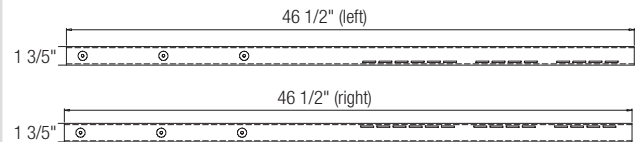
Supporting Arm

Equipped with 2 left arms and 2 right arms.



Pilaster

Equipped with 1 left pilaster and 1 right pilaster.

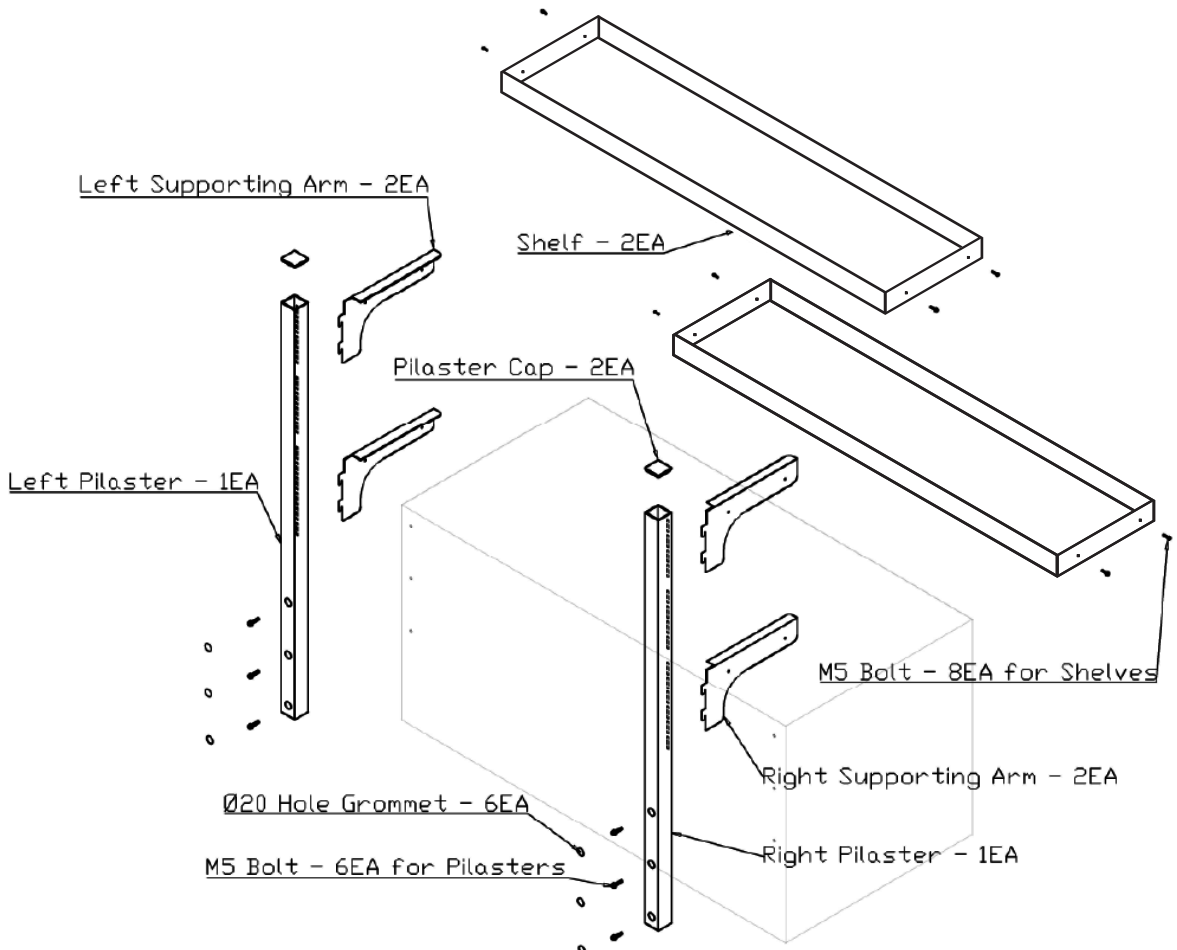


Overshelf Part #	Shelf QTY	Weight Capacity	Length	Depth	Height	Added Height	Applicable Models
OS25-00	2	66 lbs per shelf	33"	13 1/2"	46 2/5"	31 1/10"	ETR1, ETR1-24, ETF1, ETF1-24, EPR1, EPR1-24, EPPR1, EPPR1-D2
OS26-00	2	66 lbs per shelf	45"	13 1/2"	46 2/5"	31 1/10"	ETR2, ETR2-24, ETF2, ETF2-24, ETGSR2, EPR2, EPR2-24
OS27-00	2	55 lbs per shelf	57"	13 1/2"	46 2/5"	31 1/10"	ETWR2, ETWF2, ETRF2, ETGR2, EPWR2, EPPSR2
OS28-00	2	44 lbs per shelf	69"	13 1/2"	46 2/5"	31 1/10"	ETR3, ETF3, ETRF3, ETGWR2, EPR3, EPPR2, EPPR2-D2, EPPR2-D4
OS29-00	4	44 lbs per shelf	90"	13 1/2"	46 2/5"	31 1/10"	EPPR3, EPPR3-D2, EPPR3-D4

Overshelf Assembly Instructions

1. Check the parts needed for the assembly.

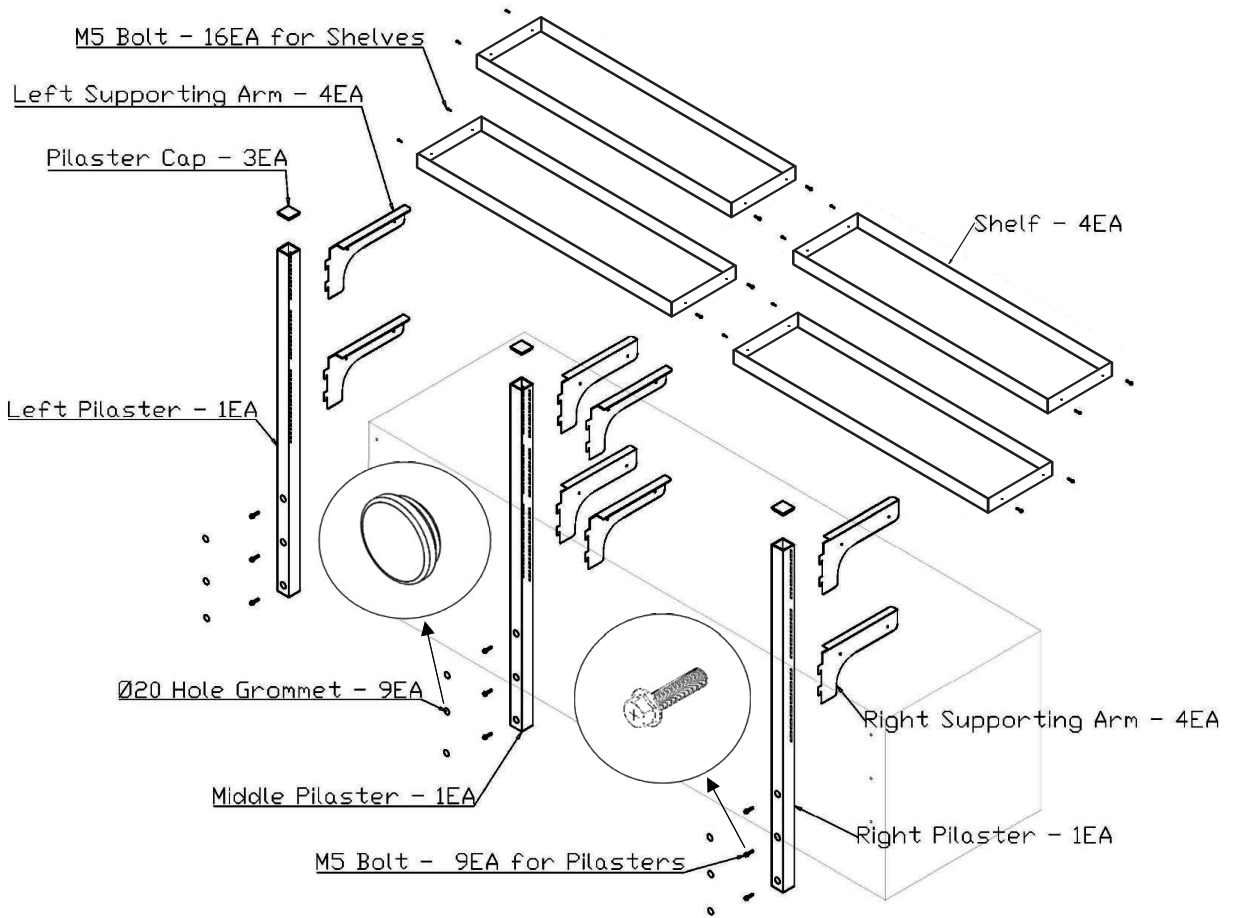
TYPE A Overshelves: OS20-00, OS21-00, OS22-00, OS23-00, OS24-00, OS25-00, OS26-00, OS27-00, OS28-00



Part Numbers:

- S = Shelf
- A1 = Left Supporting Arm
- A2 = Right Supporting Arm
- P1 = Left Pilaster
- P2 = Right Pilaster
- C = Pilaster Cap
- G = 20ø Hole Grommet
- B = M5 Bolt

TYPE B Overshelf: OS29-00

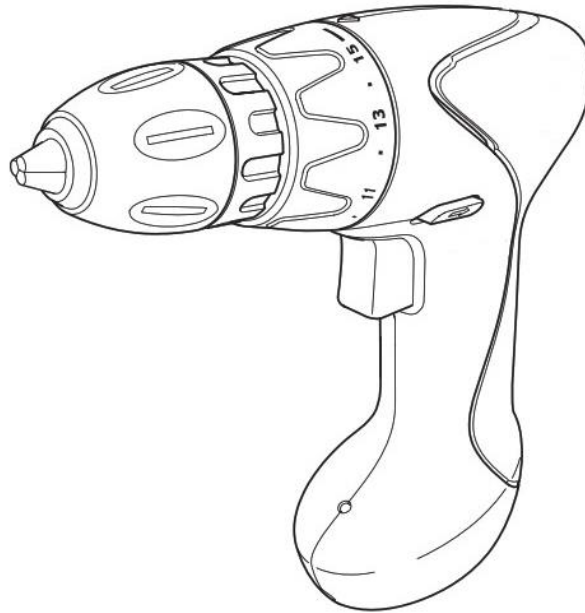


Part Numbers:

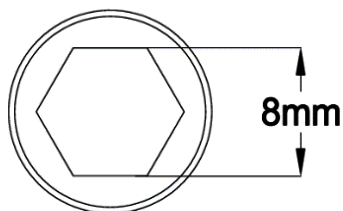
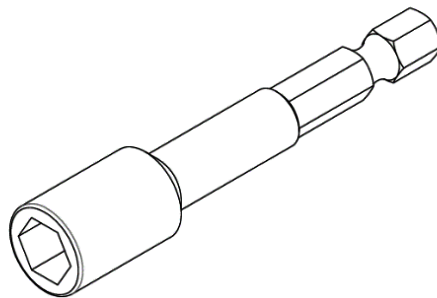
- S = Shelf
- A1 = Left Supporting Arm
- A2 = Right Supporting Arm
- P1 = Left Pilaster
- P2 = Right Pilaster
- P3 = Middle Pilaster
- C = Pilaster Cap
- G = 20ø Hole Grommet
- B = M5 Bolt

Additional tools required for assembly

Electric Nut Driver (Do not use screw driver)



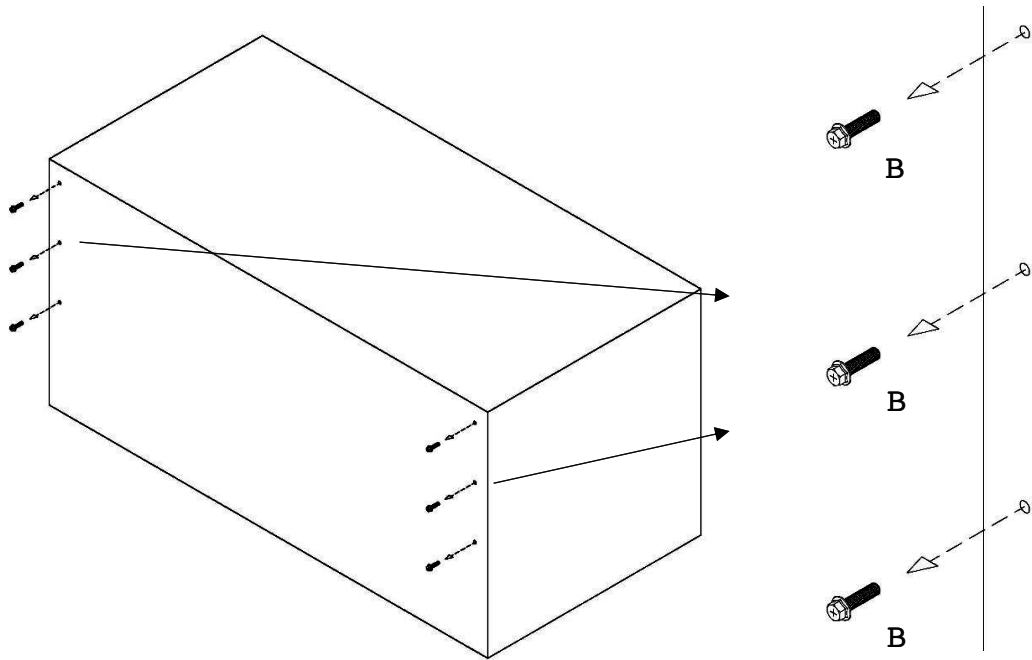
8 mm Hex Magnetic Nut Driver Bit



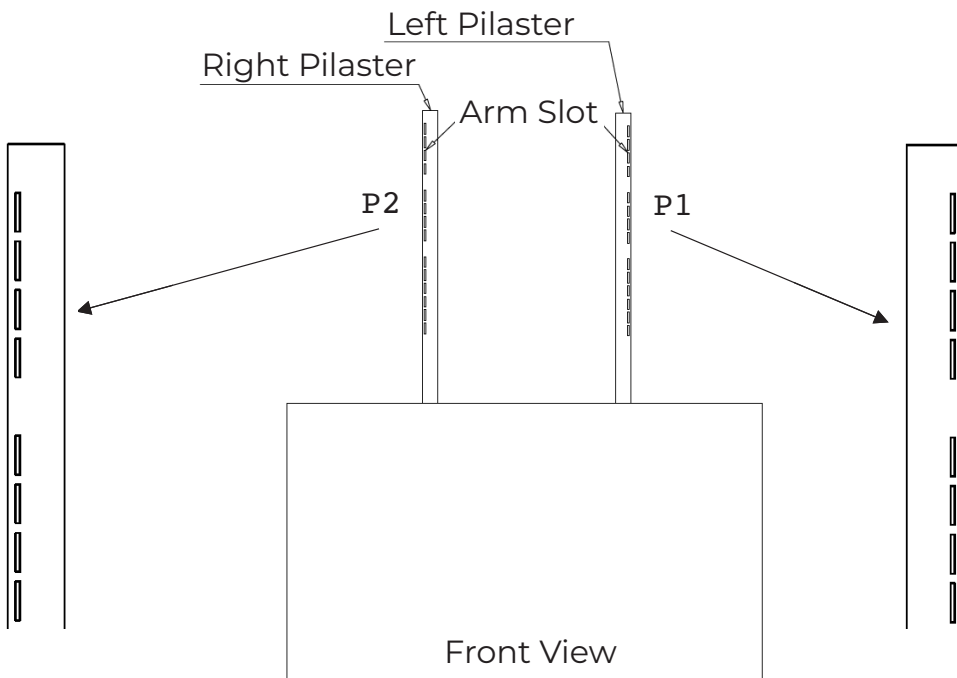
2. Follow these steps to mount the overshelf onto the external rear wall of the unit.

Type A Overshelves

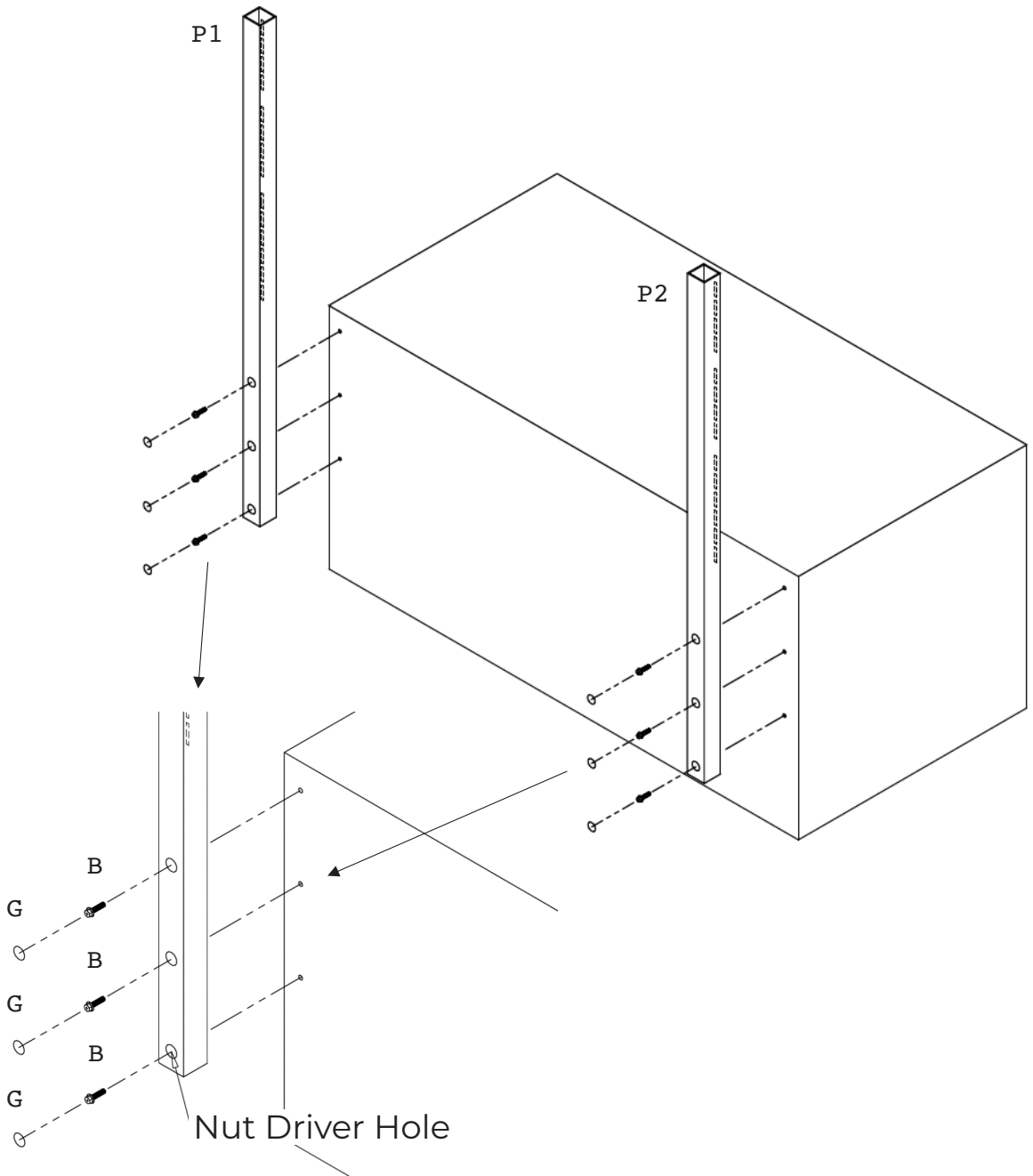
Step 1: Remove the M5 bolts (B) from the pre-made holes on the back of the unit. Use an electric nut driver and 8 mm hex magnetic nut driver bit for the M5 bolts (B).



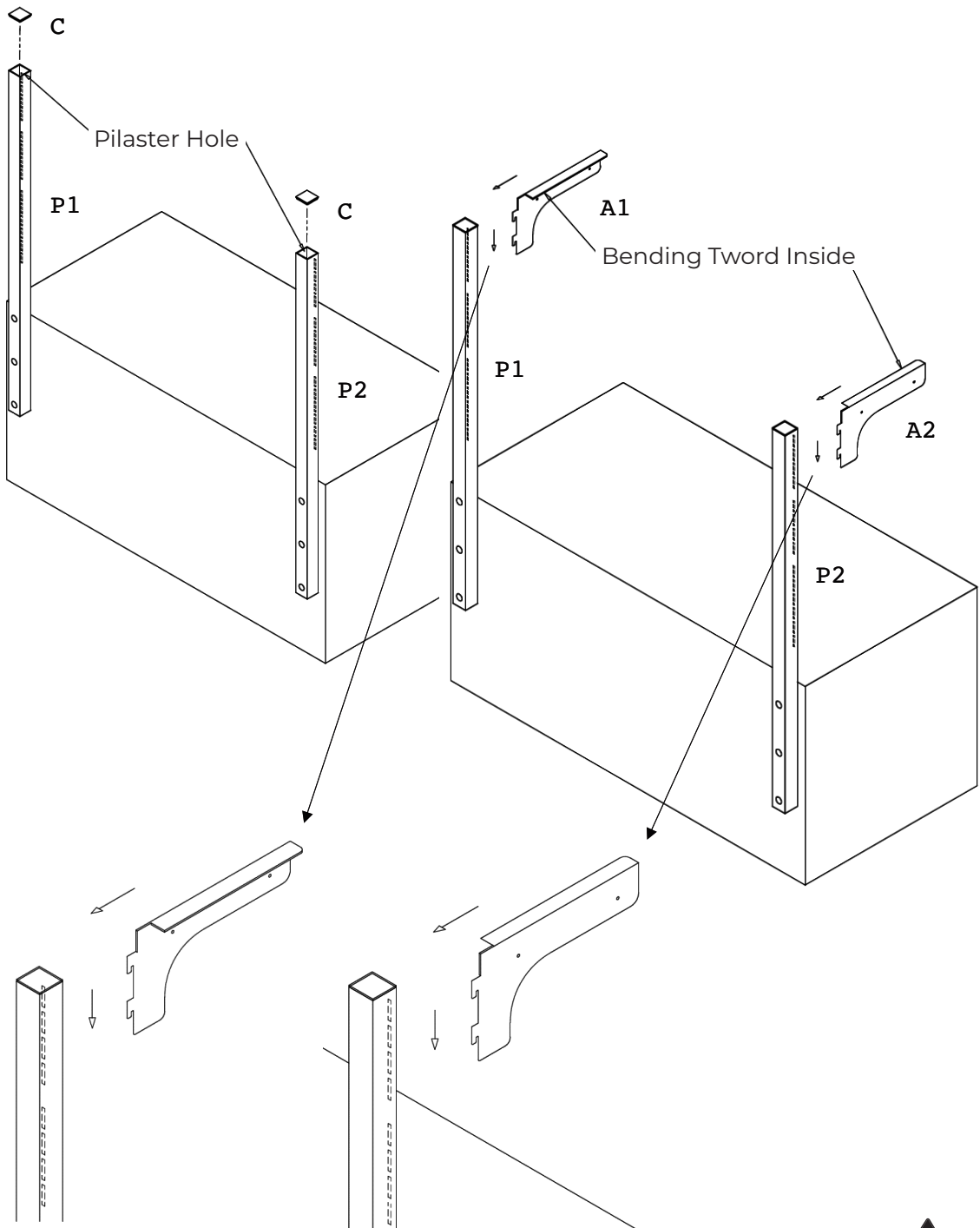
Step 2: Align the screw holes on the pilasters (P1 and P2) with the pre-made holes on the unit. Make sure to use the correct pilasters for each side. The arm slots should be placed on the outer edges of each pilaster.



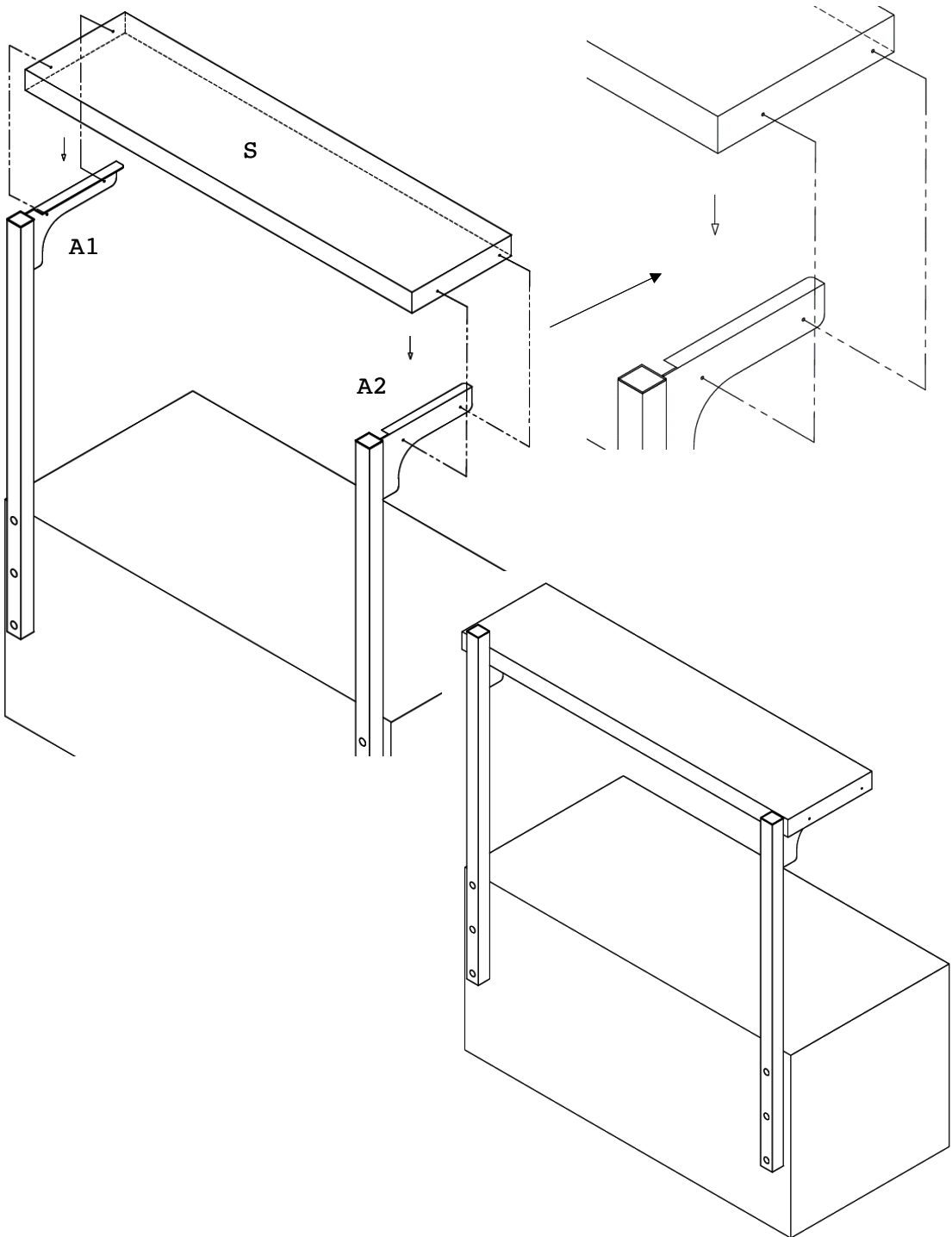
Step 2: Mount the pilasters (P1 and P2) on the unit with the M5 bolts (B) and cover the holes with the grommets (G). Use an electric nut driver and 8 mm hex magnetic nut driver bit for the M5 bolts (B).



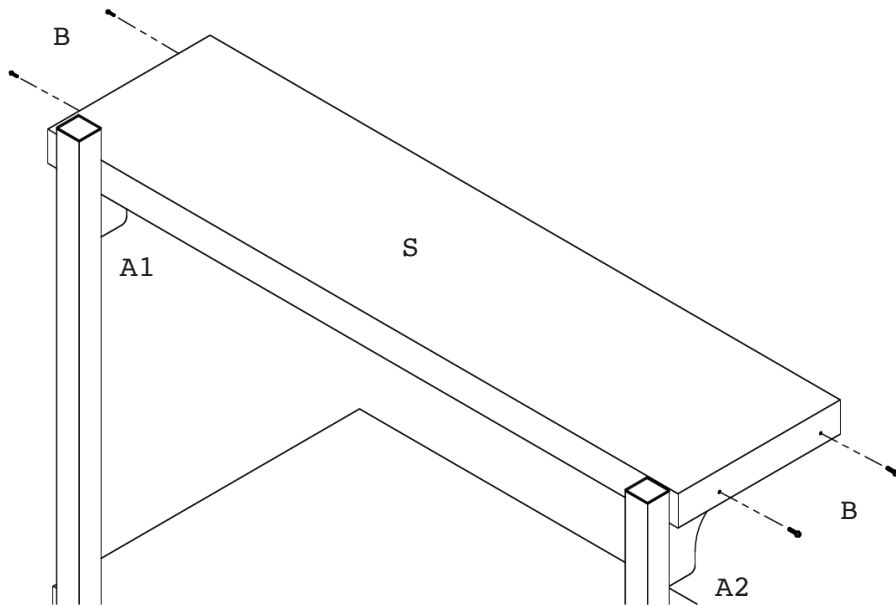
Step 3: To properly assemble, insert the pilaster caps (C) into the top holes of pilasters (P1 and P2), and then insert the protruding hooks of the supporting arms (A1 and A2) into the desired slots on the pilasters. Make sure that both arms are level with each other and confirm that the bends on the supporting arms are facing inward.



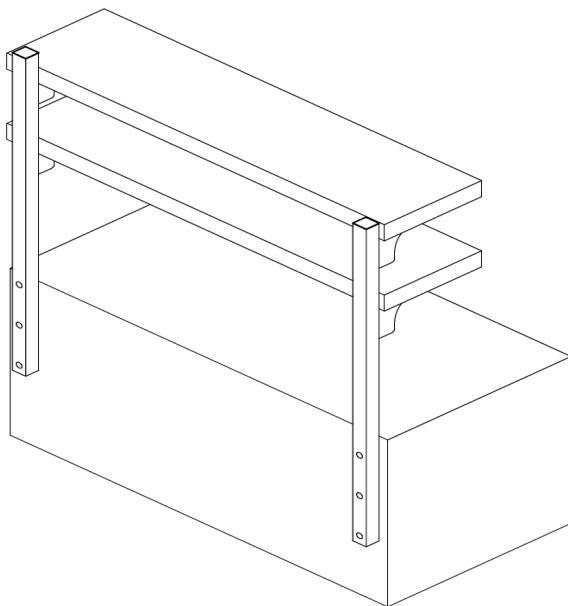
Step 4: Place shelf (S) on supporting arms (A1 and A2). Make sure the screw holes on the shelf and the arms align with each other.



Step 5: Fasten shelf (S) onto supporting arms (A1 and A2) using M5 bolts (B). Utilize an electric nut driver and an 8 mm hex magnetic nut driver bit specifically designed for M5 bolts (B).



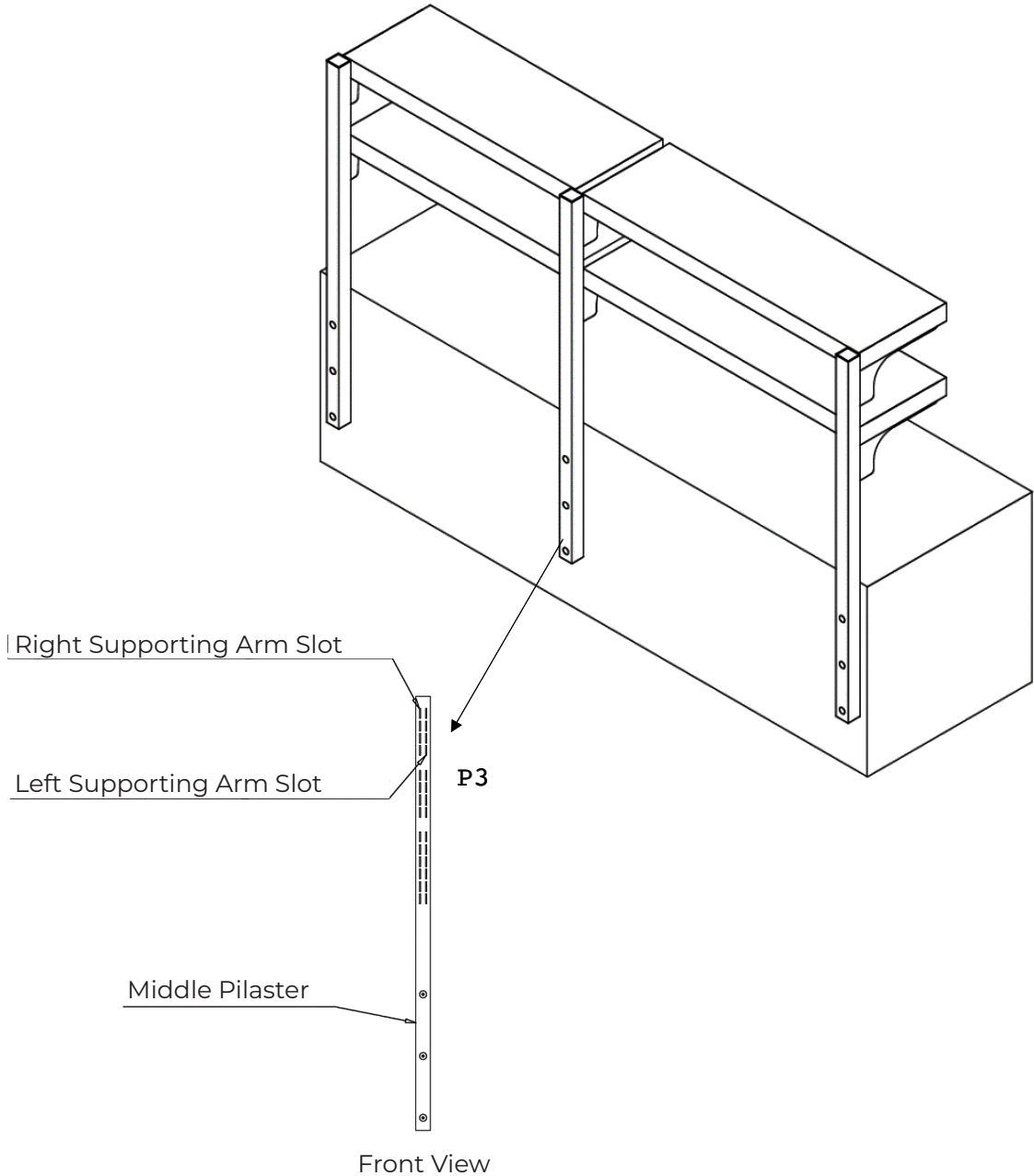
Step 6: Repeat steps 4 and 5 for the second shelf (S).



The assembly of the TYPE A overshelf is now complete.

Type B Overshelves

The assembly process for Type B overshelves is identical to that of Type A overshelves, with the only distinction being the addition of a middle pilaster (P3). The middle pilaster (P3) is equipped with arm slots to accommodate both left and right supporting arms (A1 and A2). Type B overshelves require a total of 4 shelves (S), 4 left supporting arms (A1), and 4 right supporting arms (A2). The complete assembly of Type B is illustrated below.



The assembly of the TYPE B overshelf is now complete.