



Your Solutions Partner

Specifications

F.O.B. Sedalia, Missouri 65301



TS570-xx

OPTIONS:

- Fluorescent light
- Radiant heat rod w/incandescent light - 120V (steel shelf only)
- Radiant heat rod w/switch (steel shelf only)
- Special lengths or heights
- Special finish colors

Agency Listings:



DUKE MANUFACTURING CO.

2305 N. Broadway

St. Louis, MO 63102

800.735.3853 Toll Free

314.231.5074 Fax

www.dukemfg.com

Specification subject to change



Approval Stamp(s):

PRODUCT INFORMATION:

PROJECT: _____

ITEM: _____

QUANTITY: _____

MODEL: Foodshield - Designer Series - Full Service

Fits: Thurmaduke Steamtable, Aeroserv, Thurmad-uke Serving Systems

- TS570-32
- TS570-46
- TS570-60 Full Service Style - Glass Top
- TS570-74
- TS570-88

TOP SHELF:

- 1/4" tempered glass shelf
- 18 gauge stainless steel or paint steel frame
- Choice of (12) powder coat paint colors (must choose one):

ENDS:

- 18 gauge stainless steel or choice of 12 powder coat colors

GUARDS:

- Adjustable 1/4" tempered glass food shield
- Stainless steel edge trim
- Clear acrylic enclosures both ends

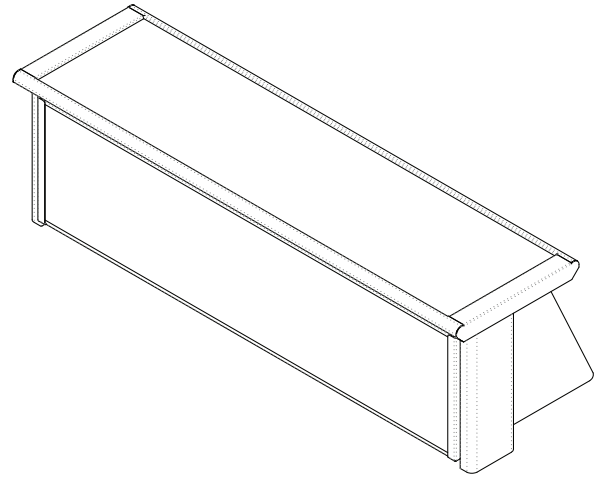
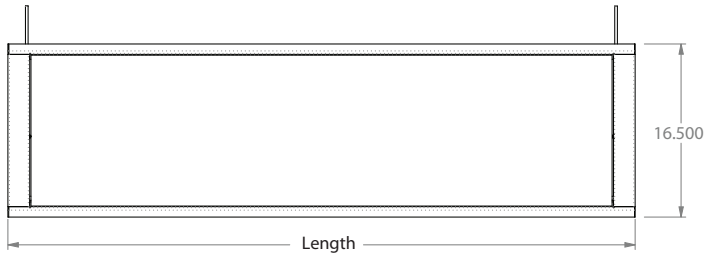
SIZES:

- All units available in following lengths
31-3/4", 45-3/4", 59-3/4", 73-3/4", 87-3/4"

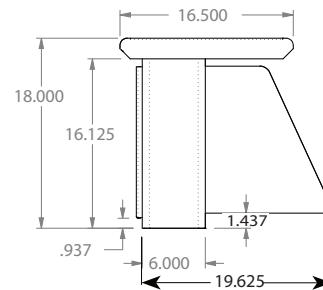
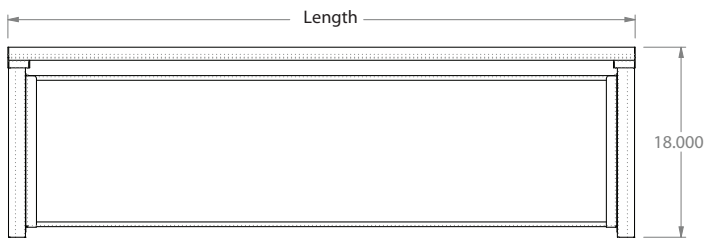
FOODSHIELD - DESIGNER SERIES

FULL SERVICE - GLASS TOP

A.I.A. File No. 35-C-13



Catalog No. FS-DESIGNER



DIMENSIONS: Freight Class: 125
 Full Service Style, w/stainless steel or painted top, painted or stainless end panels.

Model	Length		Height		Width		Weight		Cube ft. Crated
	in	cm	in	cm	in	cm	lbs	kg	
TS570-32	32	81.3	18	45.7	19.625	49.8	58	26.4	9.4
TS570-46	46	116.8	18	45.7	19.625	49.8	78	35.5	13.3
TS570-60	60	152.4	18	45.7	19.625	49.8	108	49.1	16.2
TS570-74	74	188.0	18	45.7	19.625	49.8	128	58.2	19.7
TS570-88	88	223.5	18	45.7	19.625	49.8	148	67.3	23.1

FOODSHIELD - DESIGNER SERIES



Duke Manufacturing Co.
 2305 N. Broadway
 St. Louis, MO 63102

Phone: 314-231-1130
 Toll Free: 1-800-735-3853
 Fax: 314-231-5074

www.dukemfg.com

Printed in U.S.A
 © 2020, Duke Manufacturing Co.