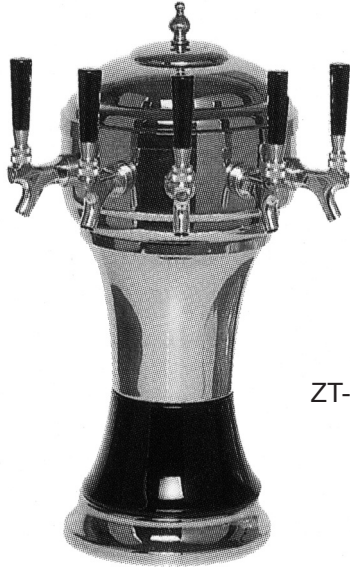


Project: _____	AIA# _____
Item #: _____ Qty: _____	SIS# _____
Model #: _____	

## Zeus Towers



ZT-5-PB-B

ZT- \_ - \_ - \_

**Size:** Specify the number of faucets from 3, 4, or 5

**Hardware Finish:**  
 MF = Mirror finish  
 PB = Polished brass

**Base Color:**  
 B = Black  
 W = White  
 G = Green

### Standard Features

- 1/4" stainless steel shanks with 3/16" restriction lines
- All stainless steel faucets
- Surface-mount, stainless steel drain pan with removable, perforated insert

### Configurable Options

- 3, 4, or 5 faucets
- Mirror or polished brass finish
- Air cooled for direct-draw system or glycol cooled for recirculating system
- Black, white, or green ceramic base color finish
- Rinser faucet extension to the left or right of the drain pan; specify RFE option

*NOTE: Faucet handles not included.*

### Specifications

#### Materials

- Miscellaneous ceramic, stainless steel, and brass parts in dispensing tower
- 20 gauge stainless steel parts include drain pan and perforated inserts

#### Shank Sizes

- 1/4" I.D. with 3/16" fitting

#### Drains

- 1/2" tailpiece on drain pan

#### Rinser Faucet (optional)

- Accepts 3/8" cold water lead
- 30 psi water pressure regulator included
- 1.2 gallons per minute

### Optional Rinser Faucet

#### Installation Notes

- Important: Unit must be installed in conformance with applicable federal, state, and local plumbing codes, including adequate backflow when required.
- Must install backflow prevention device conforming to ANSI/ASSE 1022 or ANSI/ASSE 1024 to meet plumbing code (not included).
- Install in-line water regulator (included).
- A separate shut-off valve is recommended (not included).
- Rinser faucets are not intended for use with towers mounted to a refrigerator due to risk of water line freeze up.

03012383  
 Rinser Faucet Assembly

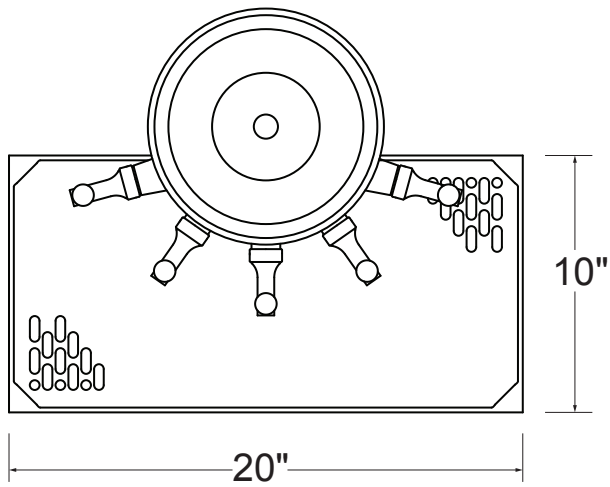


**Intertek**  
 4004503  
 Conforms to NSF/ANSI STD 372

<b>Glastender, Inc.</b> • 5400 N Michigan Rd • Saginaw, MI • 48604-9780 989.752.4275 • 800.748.0423 • Fax 989.752.4444 <a href="http://www.glastender.com">www.glastender.com</a>	Approval/Notes:
Specifications subject to change without notice. For current specifications please visit our website.	

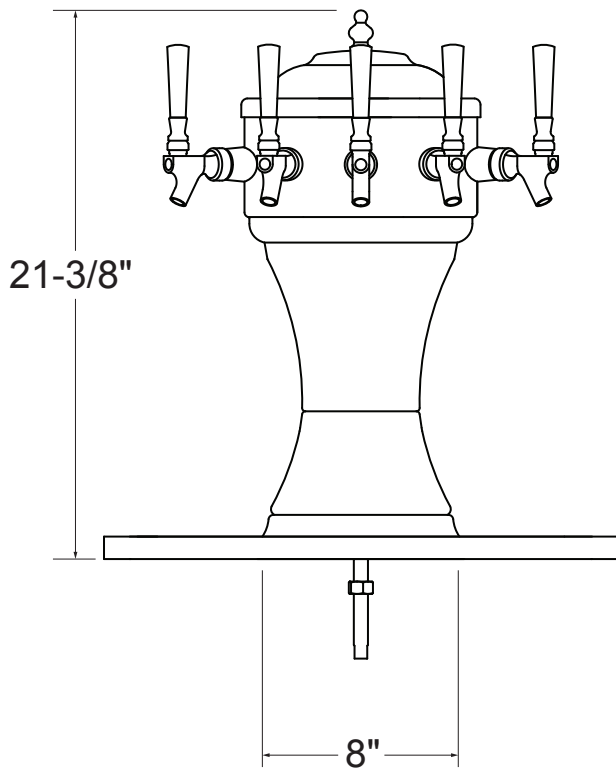
# Zeus Towers

## Drawings

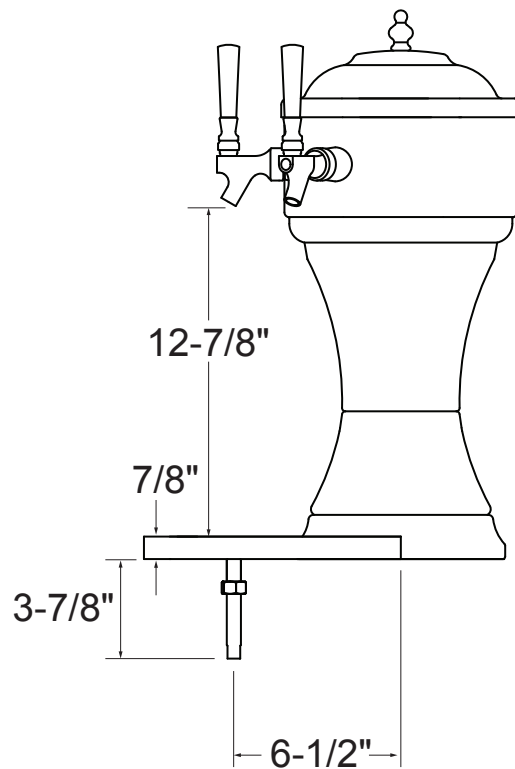


PLAN VIEW

ZT-5-MF-B SHOWN



FRONT ELEVATION



SIDE ELEVATION