

ECONOMY 2-BOWL 1-DRAINBOARD SINK (LEFT)

SINKS - 2 BOWLS



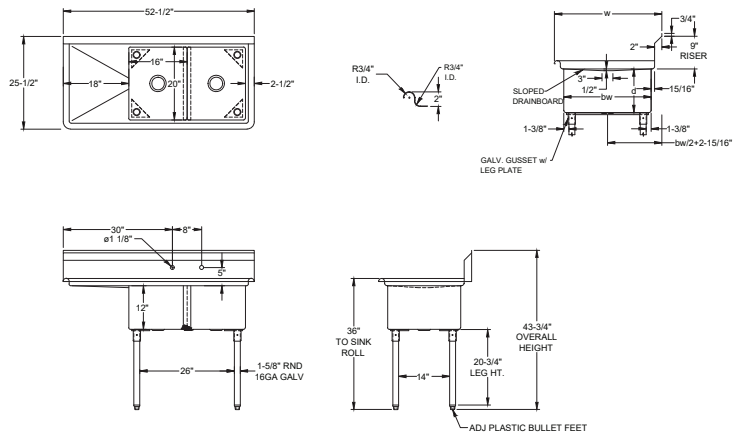
MATERIALS

- 18 Gauge 300 Series Stainless Steel; Fabricated
- Galvanized Legs and Gussets
- Plastic Bullet Feet

**COMPATIBLE WITH
NEW NBR FAUCETS!
SEE PAGE 75**

FEATURES

- 10"H Backsplash with 2" Return to Wall
- 8" On-Center Wall-Mounted Faucet Holes
- 3-1/2" Die-Stamped Drain Opening With Drain Baskets Included
 - One Drainboard (Left Side)
 - Adjustable Bullet Feet



MODEL NUMBER	BOWL SIZE L X W X H	LENGTH	WIDTH	DRAINBOARD SIZE
2SG-162012L18	16" x 20" x 12"	52-1/2"	25-1/2"	18"
2SG-181812L18	18" x 18" x 12"	56-1/2"	23-1/2"	18"
2SG-242414L24	24" x 24" x 14"	74-1/2"	29-1/2"	24"