

# Fusion

Self-Service Refrigerated Open Reach-In - 85"H

**Structural Concepts®**

DELIVERING FRESH. ALWAYS.™

(Lengths do not include 1-1/8" end panels)

- **MD485R**                      48"L x 37-1/8"D x 85-1/2"H
- **MD685R**                      72"L x 37-1/8"D x 85-1/2"H

## Included

- Integrated average product temperature of 40°F or less
- LED top & shelf lights
- One year parts & labor warranty
- Open reach-in front
- Stainless steel rear exterior

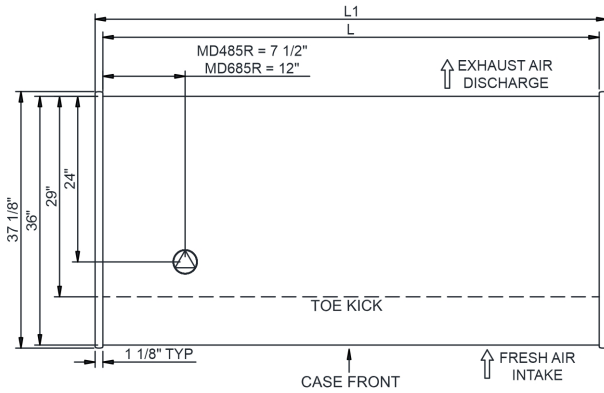


**MD485R**

Specify	Standard Features	Additional Options
<b>EXTERIOR COLOR</b>	• Powder coated Silversan Black	• Powder coated (stock/non-stock colors)
<b>INTERIOR COLOR</b>	• Powder coated Silversan Black	• Stainless steel
<b>LOWER FRONT PANEL COLOR</b>	• Powder coated Silversan Black	• Powder coated (stock/non-stock colors) • Stainless steel
<b>BASE SUPPORT</b>	• Casters w/ levelers (self-cont.)	
<b>BUMPER FRONT</b>	• 1" Boston bumper (specify color)	• 1" Stainless steel plate rail bumper
<b>BUMPER RIGHT END</b>		• Second year parts & labor warranty (excludes compressor)
<b>END PANELS</b>	• Full w/stainless steel interior	• None (specify per line-up)
<b>HEADER</b>	• Flat header	
<b>PRICE TAG MOLDING</b>	• None	• Universal price tag molding (clear w/ open top)
<b>REAR DOORS</b>	• None (solid back panel)	
<b>SHELVING</b>	• (6) Lighted clear glass shelves	
<b>LIGHTS</b>	• LED 3500K w/ frosted lens	
<b>ELECTRICAL CONNECTION</b>	• 6' Straight blade power cord (self-cont.)	
<b>REFRIGERATION</b>	• Breeze self-contained refrigeration	
<b>MISCELLANEOUS</b>		• Second year parts & labor warranty (excludes compressor)

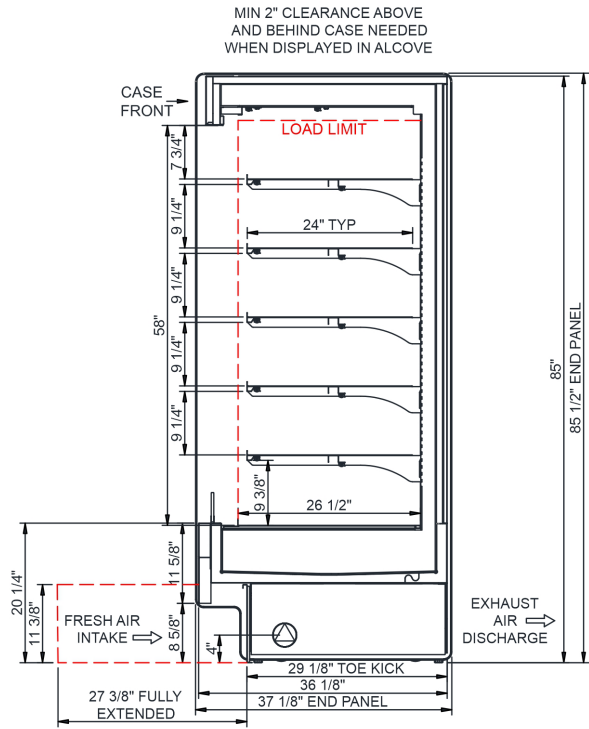
<b>Intended Environment:</b> Type I - Designed to operate in ambient conditions of 75°F with 55% relative humidity unless noted otherwise in system information below.		
<b>Zone</b>	<b>Intended Product To Be Displayed</b>	<b>Warmest Avg Prod Temp ° F</b>
1	Packaged / unpackaged refrigerated products	40

### PLAN VIEW



- NOTES:**
- REFRIGERATION ACCESSIBLE ONLY BY PULLING OUT COMPRESSOR DRAWER
  - COMPRESSOR AIR LOWER FRONT INTAKE, LOWER REAR DISCHARGE. PANELS CANNOT BE BLOCKED.

### SIDE VIEW



**NOTE: ALL DIMENSIONS APPROXIMATE**

- ELECTRICAL JUNCTION BOX (SUPPLIED WITH 6" LEADS OR POWER CORD).
- REFRIGERATION LINE CONNECTION.
- SELF-CONTAINED CASE SERVICE ACCESS AREA.
- REMOTE FLOOR SINK & UTILITIES ACCESS AREA.
- DRY CASE SERVICE ACCESS AREA.
- LOCATION OF DRAIN TUBE FOR REMOTE REF. ONLY (SUPPLIED WITH 3/4" OR 1 1/2" PVC TUBE).

Model Technical Specifications																	
Model	L"	L1"	L2"	System Circuit Volts			Phs	Freq	Amps ***	Watts	Wires	NEMA Plug	SST	Conv. Rack BTU/H	Para. Rack BTU/H	Est Wt	
MD485R	48.00	50.25	3.00	Self-Contained (R449A)													1,300
MD685R	72.00	74.25	3.00	Self-Contained (R449A)													1,650

\*\*\* Does not include electric defrost on freezer models.

Regulatory Approvals:	
All Models	Accordance with AHRI Std 1200 ETL Listed to UL 471 ETL Listed to CAN/CSA 22.2 No. 120 ETL Sanitation to NSF/ANSI 7



### Important Notes:

- Units must be shimmed during installation to ensure the unit is level and plumb.
- Keep unit at least 15' from exterior doors, overhead HVAC vents, or any air curtain disruption.
- Performance issues (product temperatures, water on floor, etc.) caused by adverse conditions are not covered by warranty.

**⚠ WARNING:** This product can expose you to chemicals, including Urethane (Ethyl Carbamate), which are known to the State of California to cause cancer and birth defects or other reproductive harm. For more information go to [www.P65Warnings.ca.gov](http://www.P65Warnings.ca.gov).