

REFRIGERATOR MANUFACTURER
Turbo air
 more durable, efficient, beautiful

4184 E. Conant St.
 Long Beach, CA 90808
 Tel. 310-900-1000
 Fax. 310-900-1077
www.turboairinc.com

Project :	
Model # :	
Item # :	Qty :
Available W/H :	
Approval :	

Security Cover for TOM-M

Open Display Merchandisers
 Security Covers - Fabric Type

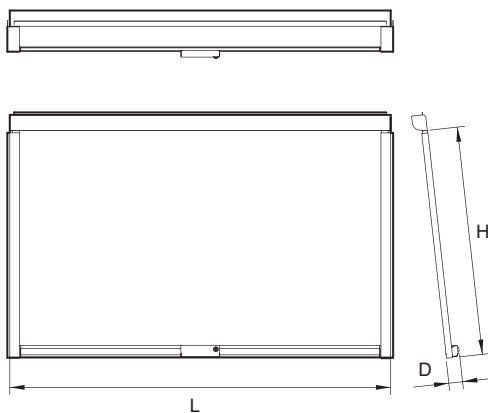
SC-MW(B)



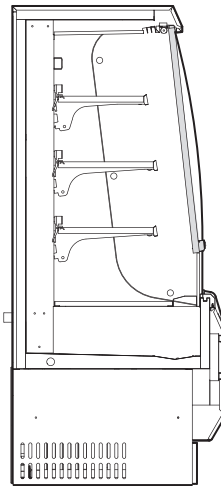
SC-MW (White)



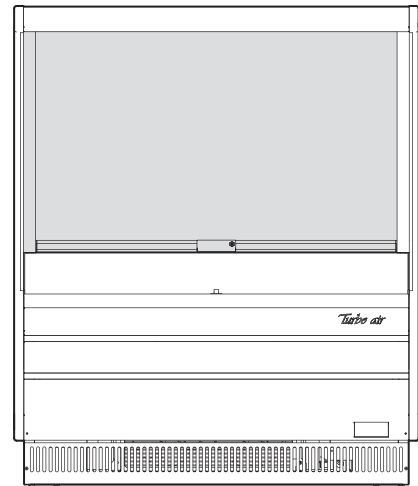
SC-MB (Black)



SC-M Plan View



SIDE VIEW



FRONT VIEW

Model	Dimension (L x D x H) (in.)	Shipping Dimension (L x D x H) (in.)	Qty	Available model	Shipping Weight (lbs.)
SC-40MW(B)	36 1/8 x 13/4 x 30 1/2	57 1/2 x 5 1/2 x 5 1/2	1	TOM-40MW/MB-N	12
SC-50MW(B)	48 x 13/4 x 30 1/2	57 1/2 x 5 1/2 x 5 1/2	1	TOM-48MW/MB-N	14