

# Impulse

ITEM NO: \_\_\_\_\_  
 PROJECT: \_\_\_\_\_  
 DATE: \_\_\_\_\_

## Product Specifications

### Non-Refrigerated Service/Self-Service Countertop Case - Straight Front

- CGS2830
- CGS3830

Lengths include end panels  
 28-1/8"L x 25"D x 30-5/8"H  
 38-1/8"L x 25"D x 30-5/8"H



MODEL SHOWN:  
CGS2830 SERVICE



MODEL SHOWN:  
CGS2830 SELF-SERVICE

#### STANDARD FEATURES

- Clear glass rear swinging doors w/o lock
- Designed for service or self-service applications
- Glass end
- LED 3500K top & shelf lights
- One year parts & labor warranty
- Shelving removable and adjustable on 1" centers

Features	Standard	Options
INTERIOR / EXTERIOR COLOR	<input type="checkbox"/> Black	<input type="checkbox"/> Stainless steel
ELECTRICAL CONNECT	<input type="checkbox"/> 6' straight blade power cord	<input type="checkbox"/> Electrical leads (non-refrigerated)
MISCELLANEOUS		<input type="checkbox"/> Second year parts & labor warranty

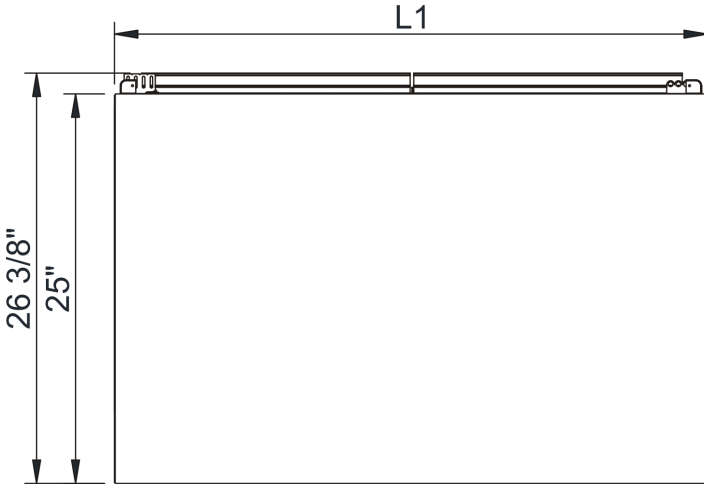
# Impulse

## Product Specifications

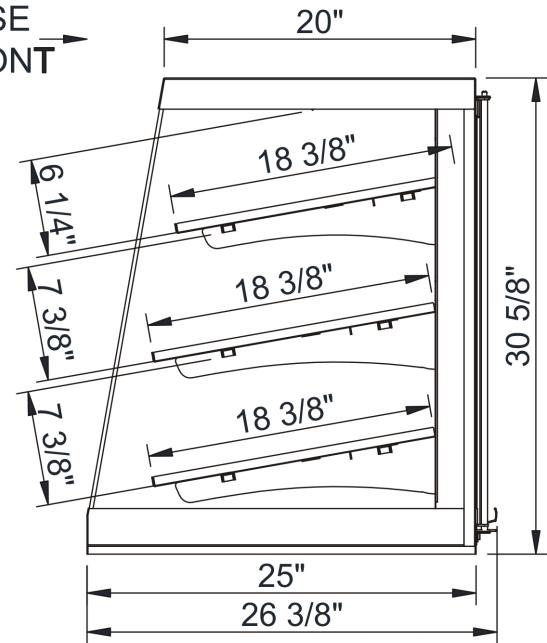
<b>Intended Environment:</b> Type I - Designed to operate in ambient conditions of 75°F with 55% relative humidity unless noted otherwise in system information below.	
<b>Zone</b>	<b>Intended Product To Be Displayed</b>
1	Packaged non-refrigerated products
<b>Warmest Avg Prod Temp ° F</b>	
Ambient	

PLAN VIEW

SIDE VIEW



CASE FRONT



CASE FRONT

NOTE: ALL DIMENSIONS APPROXIMATE

- ELECTRICAL JUNCTION BOX (SUPPLIED WITH 6" LEADS OR POWER CORD).
- LOCATION OF DRAIN TUBE FOR REMOTE REF. ONLY (SUPPLIED WITH 3/4" OR 1 1/2" PVC TUBE).

- REFRIGERATION LINE CONNECTION.
- REMOTE FLOOR SINK & UTILITIES ACCESS AREA.

- SELF-CONTAINED CASE SERVICE ACCESS AREA.
- DRY CASE SERVICE ACCESS AREA.

Model Technical Specifications																
Model	L"	L1"	L2"	System Circuit Volts			Phs	Freq	Amps ***	Watts	Wires	NEMA Plug	SST	Conv. Rack BTUH	Para. Rack BTUH	Est Wt
CGS2830	N/A	28.13	.00	Ambient/Lights	Circuit #1	110-120	1	60	0.40	51	2+G	5-15P	N/A	N/A	N/A	300
CGS3830	N/A	38.13	.00	Ambient/Lights	Circuit #1	110-120	1	60	0.56	75	2+G	5-15P	N/A	N/A	N/A	350

\*\*\* Does not include electric defrost on freezer models.

**Important Notes:**

1) Electrical Note: If GFCI is required, a GFCI breaker Must be used in lieu of a GFCI receptacle.

**⚠ WARNING:** This product can expose you to chemicals, including Urethane (Ethyl Carbamate), which are known to the State of California to cause cancer and birth defects or other reproductive harm. For more information go to [www.P65Warnings.ca.gov](http://www.P65Warnings.ca.gov).

Regulatory Approvals:	
All Models	ETL Listed to UL 65 ETL Sanitation to NSF 2

