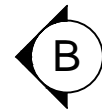
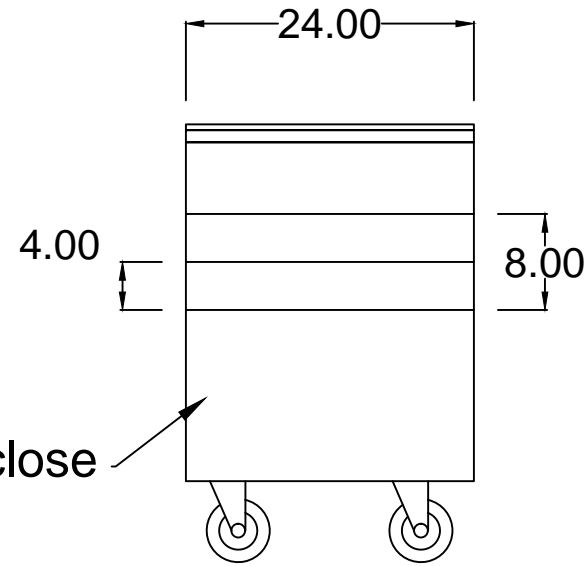


PLAN VIEW

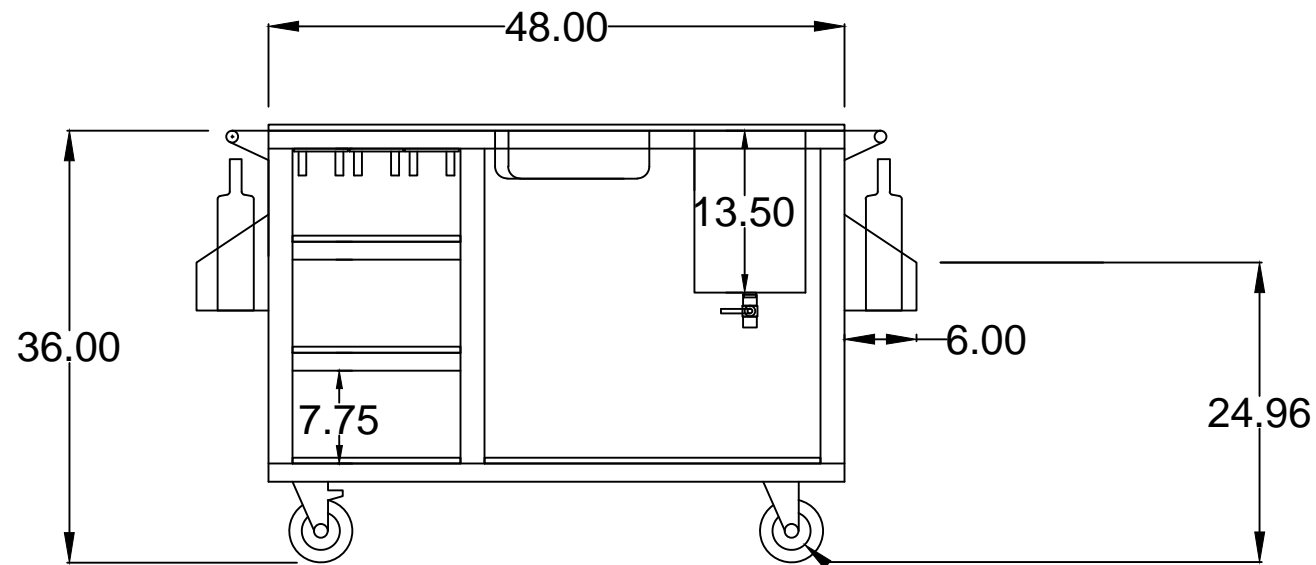


For Food Pan (Food Pan By Others)

Enclose



ELEVATION B VIEW



ELEVATION A VIEW

ITEMS REQUIRED	Y	NO
Corian	<input type="checkbox"/>	NO
Laminate	<input type="checkbox"/>	NO
Kick Plates-Cus.		NO
Kick Plates-Ser.		NO
Back Splash		NO
Slanted Tray Rail		NO
Sneeze Guard		NO
S/S Mid Shelf		NO
LED Lighting		NO
Receptacle box		NO
Sink Bowl		NO
Deck Mount Faucet		NO



2780 Coventry Road,
Oakville, Ontario, L6H 6R1
Phone: 905-825-9665
Fax: 905-825-0965
sales@tarrison.com
www.tarrison.com

PROJECT NAME:	ITEM #:	DATE:
CUSTOMER:	MODEL #:	Q'TY:
PO / QUOTE #:	DRAWING / ORDER #:	DRAWN BY:
		J. Rubio

REVISIONS:		
#	DATE	CHANGES
1		
2		
3		
4		
5		

APPROVALS:	
Drawings MUST BE Verified Prior TO Unit Being Fabricated	
Approved By:	_____
Signed:	_____
Date:	_____
Production will NOT be schedule until Tarrison team receive signed drawings	