



**UNDERBAR MULTI-TANK SINK UNITS**  
*One and Two Tanks, Extra Capacity*

MODEL NUMBERS - TS181CA, TSD181CA, TS362CA, TSD362CA

**NSF**  
 C US  
 ASME A112.19.3/  
 CSA B45.4  
 NSF/ANSI 2

JOB	
AREA	
ITEM NO.	
MODEL NO.	



TS362CA



TS181CA

MODELS	
TS Series	TSD Series
TS181CA	TSD181CA
TS362CA	TSD362CA

**KEY PRODUCT FEATURES AND BENEFITS**

- Extra deep stainless steel bowls are durable and withstand the wear of normal use with a greater capacity
- Stainless steel legs install without tools and have rust free thermoplastic feet
- Sinks include sound-deadening pads for quiet operation
- Combine with drainboards easily to create a complete glasswashing station

**Quick Features:**

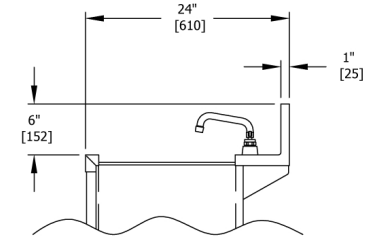
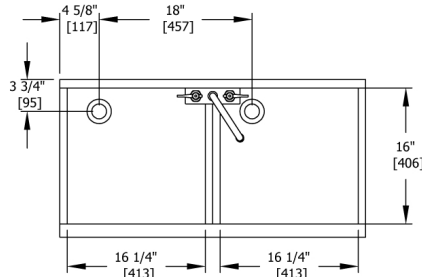
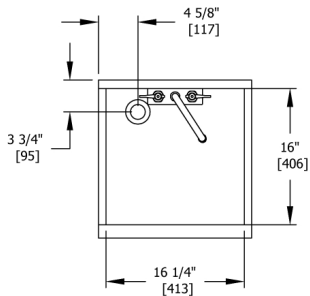
- All stainless construction for durability and long life
- Perlick sink bowls accommodate standard brush washer for easy cleaning
- 3 and 4 tank configurations mount easily to Perlick drainboards for nearly endless possibilities
- Designed to mount easily to other Perlick equipment for a seamless layout behind your bar



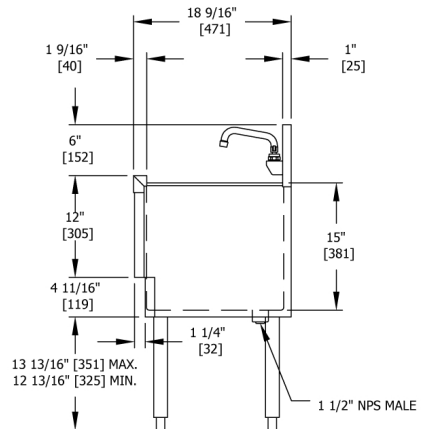
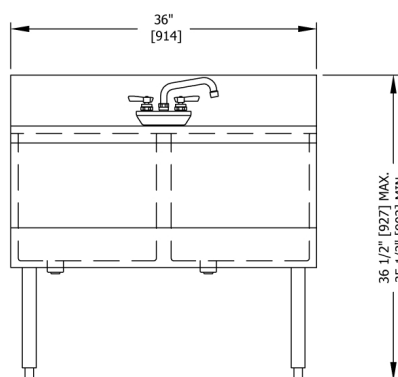
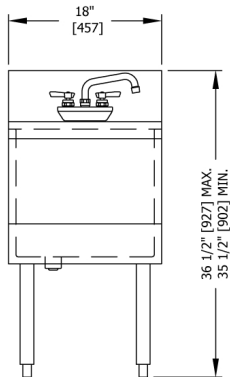
## UNDERBAR MULTI-TANK SINK UNITS

*One and Two Tanks, Extra Capacity*

MODEL NOS.	TS(D)181CA	TS(D)362CA	
<b>DIMENSIONS: EXTERIOR (mm)</b>	<b>Length, Inches (mm)</b>	54 (1372)	36 (1829)
	<b>Width</b>	<b>TS Series 18-9/16" / TSD Series 24"</b>	<b>TS Series 18-9/16" / TSD Series 24"</b>
	<b>Height</b>	Free standing = 36" Height / Modbar = 40-3/8" height	
	<b>Number of Tanks</b>	1	2
	<b>Ship Weight, Lbs. (kg)</b>	105 (48)	155 (70)
<b>MATERIALS</b>	<b>General</b>	All stainless steel parts	
	<b>Front Ledge &amp; Apron</b>	20 gauge stainless steel	
	<b>Backsplash</b>	6" high (4" high optional) with 1" return at the top, mechanically fastened and sealed to hand sink top with steel support brackets. <b>TS Series:</b> 20 gauge stainless steel <b>TSD Series:</b> 5-1/2" rear deck, 20 gauge stainless steel on backsplash and rear deck	
	<b>Ends, Back &amp; Bottom</b>	Stainless steel	
	<b>Legs</b>	1-5/8" tubular, stainless steel with 1" adjustable thermoplastic feet	
	<b>Rinse Tank</b>	20 gauge stainless steel, 16"x16-1/4"x15" deep. All horizontal corners have 1/4" radius and vertical corners have 3/16" radius with ballbed corners. Furnished with 1-1/2" stainless steel drain socket and 12" standpipe. Sound deadening underside.	
	<b>Water Faucet</b>	Hot and cold, heavy-duty all brass construction, chrome plated. <b>Must be ordered separately.</b> <b>TS Series:</b> Wall mount with 6" swing spout <b>TSD Series:</b> Deck-mount with 6" swing spout	
<b>PLUMBING</b>	<b>Drain Connection</b>	1-1/2" NPS male. Hot and cold water connection 1/4" NPT female.	
<b>OPTIONAL ACCESSORIES</b>	Optional lead-free faucet available for both 1 and 2 sink models		



**TSD END VIEW**  
(BOTH SINGLE AND TWO SINK MODELS)



**TS END VIEW**  
(BOTH SINGLE AND TWO SINK MODELS)

Faucet shown for clarity. Must be ordered separately.