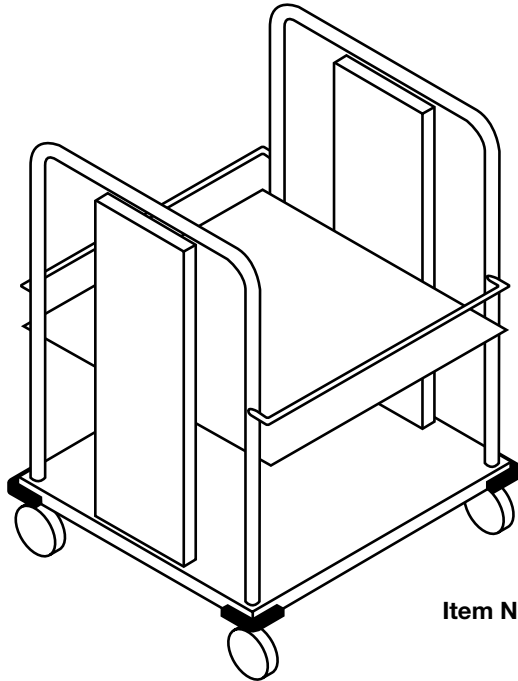


MOBILE RACK DISPENSERS



Item Number: DXIDRS1020
Shelf Style

Item Numbers

- DXIDRS1020
- DXIDRS2020

Application

These self-leveling mobile style rack dispensers are offered in an all tubular frame with solid bottom.

These self-leveling mobile rack dispensers can be found on tray lines, beverage areas, back-of-the-house, or any place your needs require.

Construction

Lifting mechanisms are constructed of type 304 stainless steel with all exposed parts having a No. 4 finish. Dispensers are equipped with self-lubricating delrin wheels and a full complement of stainless steel extension springs that can be easily disconnected to adjust the lifting rate. A removable stainless steel carrier tray provides bottom support for the racks being dispensed.

The DXIDRS1020 and DXIDRS2020 base is fabricated from type 304 stainless steel and reinforced with stainless steel angles. The tubular frames are fabricated from 18-gauge stainless steel tubing and securely welded to stainless steel angles on underside of base. The tubular frames are reinforced by horizontal .375"(.9cm) diameter type 304 stainless steel rods welded to each vertical frame. Four 5" heavy-duty non-marking swivel casters (2 with brakes) are securely mounted to the base and a non-marking bumper is mounted at each corner.

Standard Features

- Stainless steel construction including stainless steel extension springs for long lasting dependable service.
- Self-leveling mechanism lifts out for easy cleaning.
- Field adjustable to accommodate different weights.
- Corner bumpers

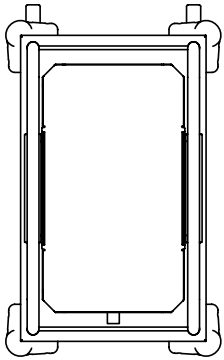
Options

- Wrap around bumper

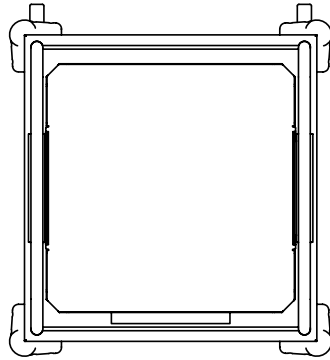
Warranty

One year parts and labor.

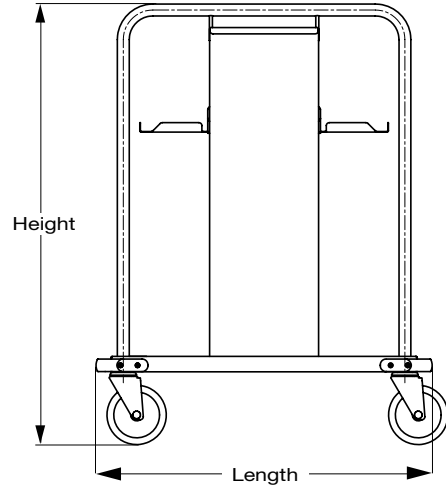
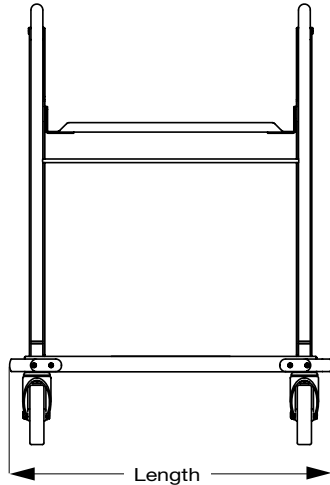
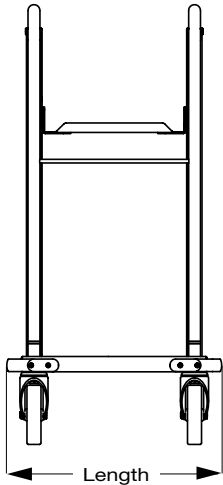
MOBILE RACK DISPENSERS



DXIDRS1020



DXIDRS2020



Items and Dimensions

ITEM NUMBER	MODEL NUMBER	LENGTH	DEPTH	HEIGHT	RACK SIZE	SHIP WEIGHT	SHIP CUBE
DXIDRS1020	IDRS/1020	18.16" (71.5cm)	23.63" (60.0cm)	36.25" (92.1cm)	10" x 20" (25cm x 51cm)	125 lb. (56.8kg)	8.4
DXIDRS2020	IDRS/2020	27.16" (69.0cm)	28.35" (72.0cm)	37.15" (94.4cm)	20" x 20" (51cm x 51cm)	140 lb. (63.6kg)	14.0



Please confirm that you have the most current specification sheet by visiting www.dinex.com.
 Dinex® reserves the right to change specifications and product design without notice.
 Such revisions do not entitle the buyer to corresponding changes, improvements,
 additions or replacements for previously purchased equipment.



Building 2, Suite 106
 628 Hebron Avenue
 Glastonbury, CT 06033
 800.523.9752 Fax: 860.652.3135
www.dinex.com