

Fusion

GHSS 60"H Refrigerated Self-Service Case w/ Curved Profile

Structural Concepts®

DELIVERING FRESH. ALWAYS.™

(Lengths do not include 1-1/8" end panels)

- **GHSS460RLB** 48-3/4"L x 43"D x 59-5/8"H
- **GHSS560RLB** 60-5/8"L x 43"D x 59-5/8"H
- **GHSS660RLB** 73-1/8"L x 43"D x 59-5/8"H
- **GHSS860RLB** 97-1/2"L x 43"D x 59-5/8"H
- **GHSS1060RLB** 121-1/8"L x 43"D x 59-5/8"H
- **GHSS1260RLB** 146-1/4"L x 43"D x 59-5/8"H

Included

- Integrated average product temperature of 40°F or less
- LED top & shelf lights
- One year parts & labor warranty
- Remote DX refrigeration
- Stainless steel rear exterior



GHSS660RLB

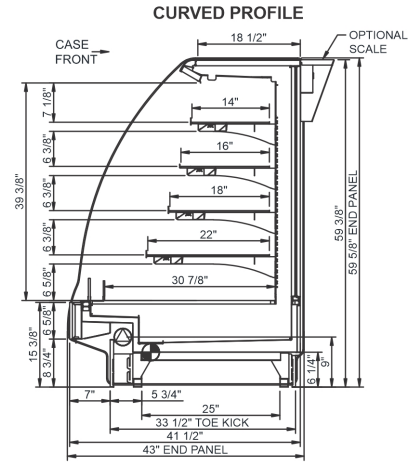
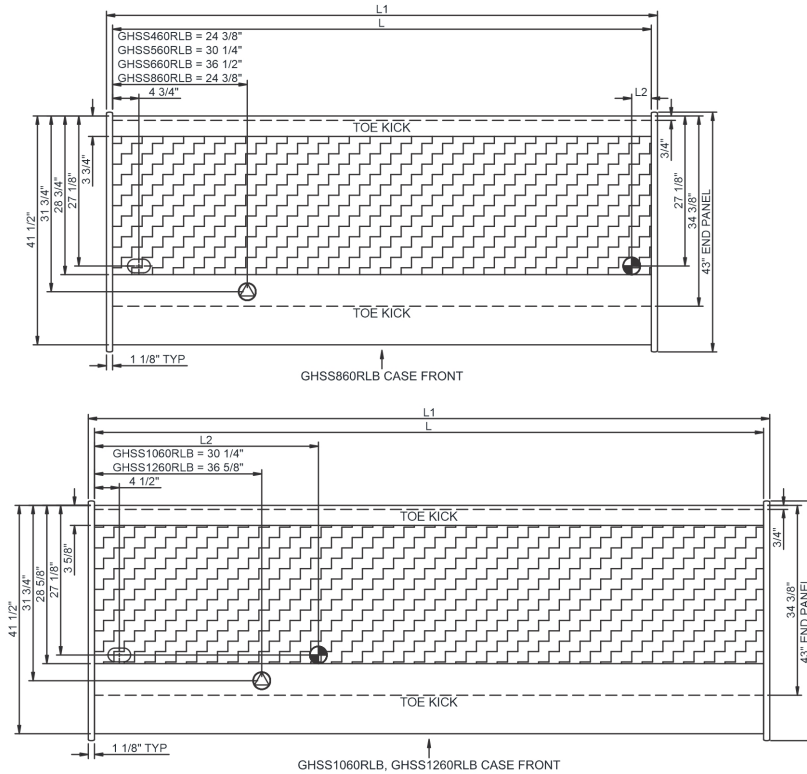
Specify	Standard Features	Additional Options
EXTERIOR COLOR	• Laminate (stock colors)	• Laminate (non-stock colors) • Powder coated (stock/non-stock colors) • Powder coated Silversan Black • Stainless steel
INTERIOR COLOR	• Powder coated Silversan Black	• Stainless steel
LOWER FRONT PANEL COLOR	• Powder coated Silversan Black	• Powder coated (stock/non-stock colors) • Stainless steel
BASE SUPPORT	• Rail system for shims	
BUMPER FRONT	• 1" Boston bumper (specify color)	• 1" Stainless steel plate rail bumper
END PANELS	• Full w/stainless steel mirror interior	• Cutaway w/glass • None (specify per line-up)
PRICE TAG MOLDING	• None	• 1" Price tag molding (black or silver) • Universal price tag molding (clear w/ open top)
REAR DOORS	• None (solid back panel)	• Solid rear swinging doors
SHELVING	• 14" & 16" & 18" & 22" Solid shelving	• 14" & 16" & 18" & 22" Glass shelving
LIGHTS	• LED 3500K w/ frosted lens	• LED 4000K w/ frosted lens
ELECTRICAL CONNECTION	• Electrical leads (remote)	
REFRIGERATION	• Remote DX refrigeration	• Remote w/thermostat, solenoid & TXV
SENSOR	• None	• CPC discharge air sensor (remote)
MISCELLANEOUS		• Rear door lock
ACCESSORIES		• Drain strainer • Night curtain, retractable, non-locking • Removable wire security cover, locking

Intended Environment: Type I - Designed to operate in ambient conditions of 75°F with 55% relative humidity unless noted otherwise in system information below.

Zone	Intended Product To Be Displayed	Warmest Avg Prod Temp ° F
1	Packaged refrigerated products	40

PLAN VIEW

SIDE VIEW



NOTE: ALL DIMENSIONS APPROXIMATE

- ELECTRICAL JUNCTION BOX (SUPPLIED WITH 6" LEADS OR POWER CORD).
- REFRIGERATION LINE CONNECTION.
- SELF-CONTAINED CASE SERVICE ACCESS AREA.
- LOCATION OF DRAIN TUBE FOR REMOTE REF. ONLY (SUPPLIED WITH 3/4" OR 1 1/2" PVC TUBE).
- REMOTE FLOOR SINK & UTILITIES ACCESS AREA.
- DRY CASE SERVICE ACCESS AREA.

Model Technical Specifications

Model	L"	L1"	L2"	System Circuit Volts	Phs	Freq	Amps ***	Watts	Wires	NEMA Plug	SST	Conv. Rack RTUH	Para. Rack RTUH	Est Wt		
															Circuit #1	110-120
GHSS460RLB	48.75	51.00	3.50	Remote (DX)	Circuit #1	110-120	1	60	1.48	81	2+G	Leads Multiple	20.00	5625	5208	1,075
GHSS560RLB	60.63	62.88	3.50	Remote (DX)	Circuit #1	110-120	1	60	2.54	148	2+G	Leads Single	20.00	7042	6520	1,050
GHSS660RLB	73.13	75.38	3.50	Remote (DX)	Circuit #1	110-120	1	60	2.62	193	2+G	Leads Multiple	20.00	9223	8540	1,200
				Remote (GLYCOL 35%)	Circuit #1	110-120	1	60	2.67	193	2+G	Leads Multiple	20.00	9223	8540	
GHSS860RLB	97.50	99.75	3.50	Remote (DX)	Circuit #1	110-120	1	60	3.00	249	2+G	Leads Multiple	20.00	12053	11160	1,225
				Remote (GLYCOL 35%)	Circuit #1	110-120	1	60	3.05	249	2+G	Leads Multiple	20.00	12053	11160	
GHSS1060RLB	121.13	123.38	40.50	Remote (DX)	Circuit #1	110-120	1	60	3.86	295	2+G	Leads Multiple	20.00	13932	12900	1,300
				Remote (GLYCOL 35%)	Circuit #1	110-120	1	60	3.86	295	2+G	Leads Multiple	20.00	13932	12900	
GHSS1260RLB	146.25	148.50	45.13	Remote (DX)	Circuit #1	110-120	1	60	4.59	384	2+G	Leads Multiple	20.00	14515	13440	1,500

*** Does not include electric defrost on freezer models.

Regulatory Approvals:	
All Models	Accordance with AHRI Std 1200 ETL Listed to UL 471 ETL Listed to CAN/CSA 22.2 No. 120 ETL Sanitation to NSF/ANSI 7

Important Notes:

- ELECTRICAL NOTE: If GFCI is required, a GFCI breaker MUST be used in lieu of a GFCI receptacle.
 - 45" minimum door entry clearance required (without shipping skid).
 - Units must be shimmed during installation to ensure the unit is level and plumb.
- ⚠ WARNING:** This product can expose you to chemicals, including Urethane (Ethyl Carbamate), which are known to the State of California to cause cancer and birth defects or other reproductive harm. For more information go to www.P65Warnings.ca.gov.

