



Model: _____ Item #: _____ Date: _____
 Project: _____ Qty: _____ Approved By: _____

ADA Compliant Hand Sinks

HAND SINKS

HS-50

4" Center Deck Mount with
Wrist Blades & Soap Dispenser



HS-51

Single Hole Deck Mount
Hands Free Electronic Sensor Faucet



HS-53

8" Center Deck Mount with Wrist Blades



Standard Features

Overall Size	20"W x 24"L x 16"H
Bowl Size	14"W x 16"L x 5" Deep
Wall Bracket	Keyhole with offset design for added strength
Drain	1-1/2" stainless steel
Faucet	4" center wall mount faucet included on most models
Drain	1-1/2" stainless steel
Fabrication	Seamless one piece deep drawn sink bowl Type 304 series stainless steel All tig welded Welded areas blend to match adjacent surfaces
Plumbing	1/2" IPS male hot and cold water 1-1/2" IPS drain outlet

Product Specific Features

HS-50	<ul style="list-style-type: none"> 4" center deck mount faucet 6" double bend spout Wrist blade handles Faucet contains 1/4 turn ceramic valves Deck mount liquid soap dispenser 24 lbs.
HS-51	<ul style="list-style-type: none"> Single hole deck mount hands free electronic sensor faucet 6" gooseneck spout Deck mount liquid soap dispenser Electronic faucet includes 3 year warranty 24 lbs.
HS-53	<ul style="list-style-type: none"> 8" center deck mount faucet 6" double bend spout Wrist blade handles Faucet contains 1/4 turn ceramic valves 26 lbs.



Warning: This product can expose you to chemicals including lead and lead compounds, which are known to the State of California to cause cancer and birth defects or other reproductive harm. For more information go to www.P65Warnings.ca.gov.



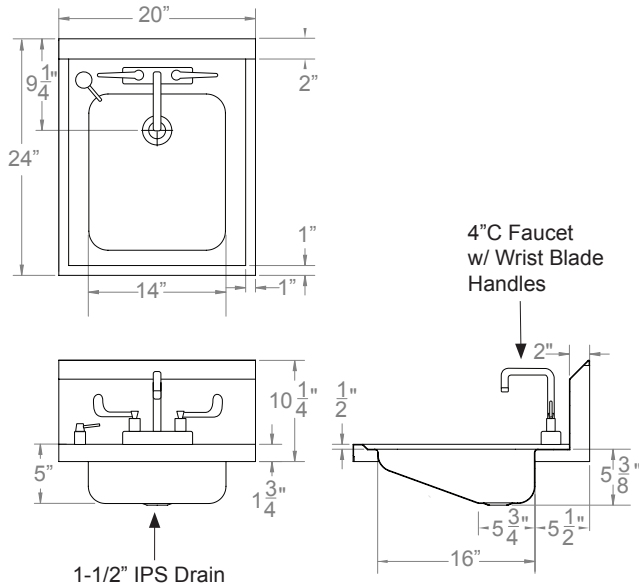
Model: _____ Item #: _____ Date: _____

Project: _____ Qty: _____ Approved By: _____

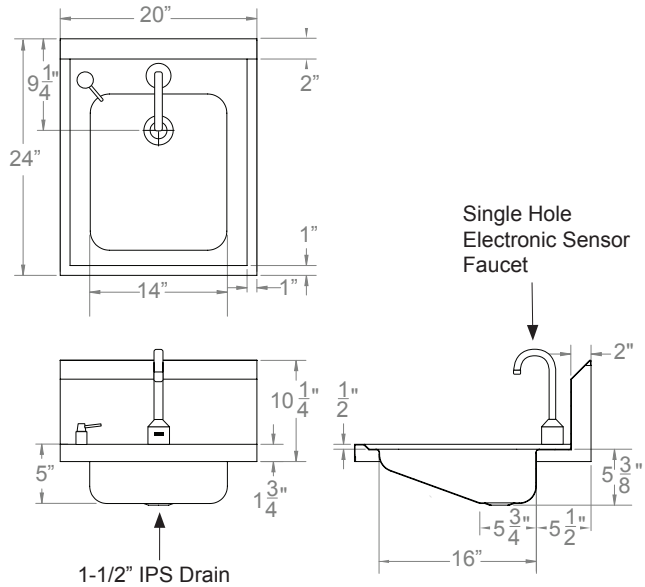
ADA Compliant Hand Sinks

HAND SINKS

HS-50



HS-51



HS-53

