

## MULTICOOKER 64 GALLON GAS COOK AND CHILL PROCESS LINE



- UCPMDG1-64L - Automatic cooker (C&C line version)
- UBAVR64DX- Mobile chilling vat
- UBACC1010 - Insulated trolley (2 Units)

### UCPMDG1-64L

#### General Functional Features

- Heating by means of high efficiency stainless steel tube burners. Automatic ignition and flame control system without pilot burner. Heating controlled by electronic board with automatic activation of minimum 2 °C before the SETPOINT and interruption of heating in case of minimum water level. Baskets lifting and tilting automatically (even with closed lid) stopping in dripping position and removable for cleaning operations. Automatic filling and refilling of water in the vat. Overflow device and front drain cock in stainless-steel, 2 inc., with insulating handle.
- Optional: removable shower head (cold water) to make cleaning operations easier. Electronic control by means of multifunctional keyboard with Touch Screen 7" and easy and clear messages
- Electric socket for connection to UBAVRDX... / UBAVRSX... (Do not use for other purpose)
- USB connection to download HACCP data, update the software and load cooking programs
- Ability to interrogate the machine using communication protocol MODBUS over RS485 serial interface

#### Panel Board Functions

- ON/OFF switch
- Resistive 7" Touch Screen
- Keys for moving basket
- Selection of 2 different cooking modes, with working temperature setting or min./max. heating
- Cooking type and time setting
- Cooking in "Manual" mode
- Cooking in "Program" mode
- Creating and editing cooking programs, setting, type of cooking; cooking parameters (temperature and time), and possibility to insert text messages
- Automatic vat filling with level maintenance
- Function starch skimming
- Delayed cooking setting with date, time, and programming cycle
- Language settings Touch Screen
- Input of different units of measurement (° C/° F; Liters/gallons; etc.)

#### Display/Signal

- Display type of cooking, temperature probes used and set temperature
- Heating operating visual alarm
- Time to end of cycle display
- Water level insufficient (heating does not activate)
- Signalling and blocking heat in case there is no gas
- Gas control unit "RESET" message
- Basket lifting (end of cooking) visual alarm with 10 seconds notice by lighter on the Touch Screen
- Self-diagnostics

#### Safety System

- Emergency button
- Heating interruption due to insufficient amount of water in vat

### UBAVR64DX

#### Functional Features General

- Lifting up and down of the basket inside the cooling tank with electric tilting
- Forced water activation by means of dedicated pump, operating only with baskets in working position
- Flow agitation valve filling and exchange vat water by means of ball valve
- Filling and recirculation of water in the vat by ball valve
- Overflow device and discharge valve in stainless-steel, 2 inc., with insulating handle

#### Panel Board Functions

- ON/OFF switch
- Basket tilting and return
- ON/OFF switch agitation pump
- Flow agitation regulation

#### Safety System

- Thermal protection for agitation pump (light alarm)

### OPTIONS & ACCESSORIES AT ADDITIONAL COST

- UCADE0020 - CLEANING SHOWER

### STANDARD CONSTRUCTION SPECIFICATIONS

#### UCPMDG1-64L

Cooking vessel in stainless steel AISI 316 (thickness 30/10). Perforated basket in stainless steel AISI 316 (thickness 15/10) with electric tilting  
Balanced lid in stainless steel AISI 304 (thickness 10/10)  
Supporting structure in stainless steel AISI 304 (thickness 20-30/10)  
Heat insulation guaranteed by panels in thick glass fiber  
Outer cover in stainless steel AISI 304, fine satin finish (thickness 10/10)  
Adjustable feet in stainless steel AISI 304 to ensure levelling  
Protection level IPX4

#### UBAVR64DX

Chilling tank in AISI 316

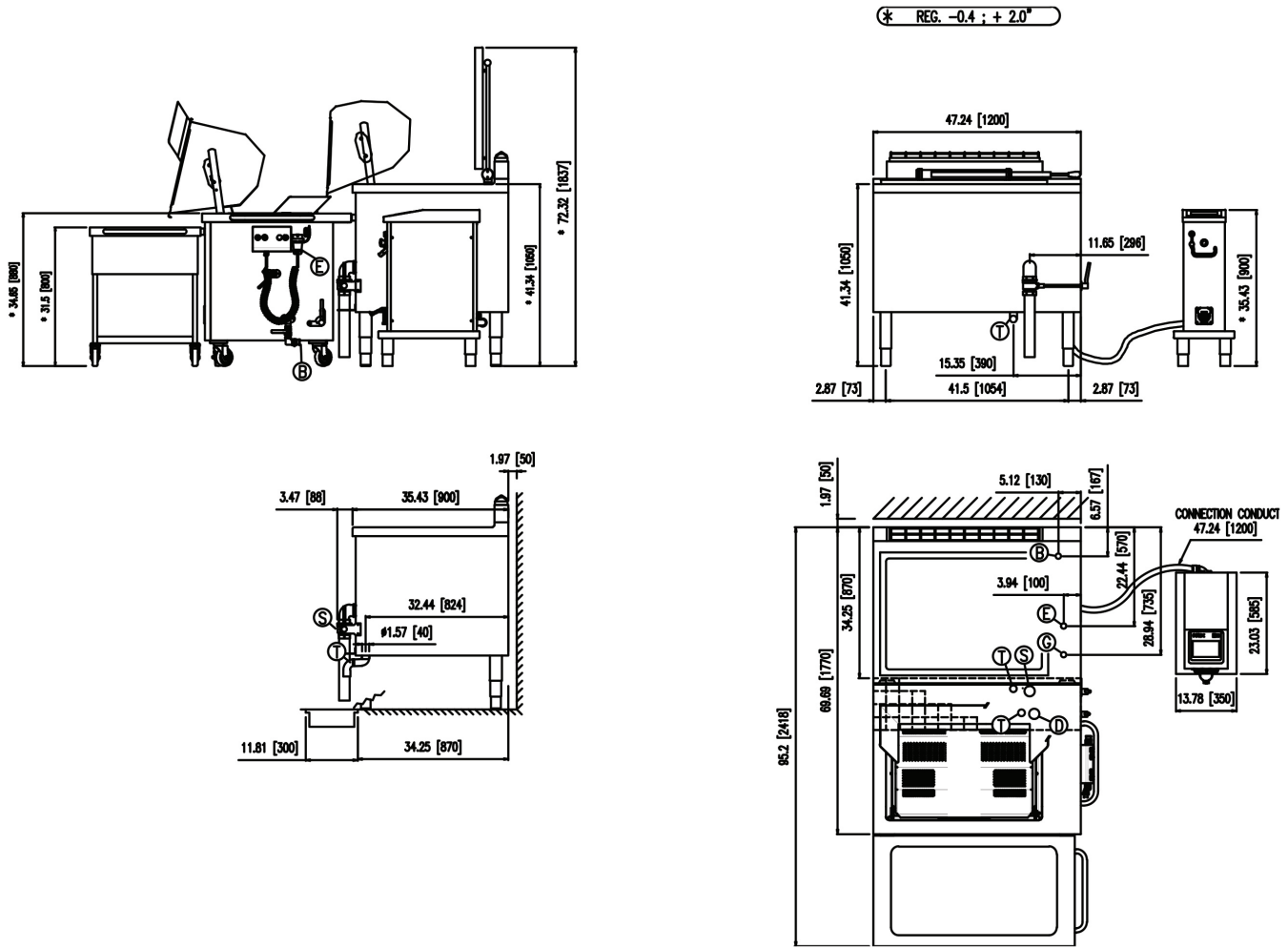
Perforated basket in stainless steel AISI 316 (thickness 15/10) and removable for cleaning operations  
Supporting structure in stainless steel AISI 304 (thickness 20-30/10)  
External panels in AISI 304 fine satin finish  
Pivoting wheels, 2 with brakes

#### UBACC1010

Entirely made of AISI 304 stainless steel  
Insulated basins, pressed with rayed edges and with a drain equipped with ball wash-out valve  
Dimensions suitable for GN 1/1 h.200 Containers  
Shaped lower shelf  
Rubber buffers  
4 Pivoting wheels, 2 of them with brakes



Approval Notes: \_\_\_\_\_



**TECHNICAL SPECIFICATIONS**

MODEL	DIMENSIONS						WEIGHT	CAPACITY	NUMBER OF BASKETS
	WIDTH	DEPTH	HEIGHT	VESSEL WIDTH	VESSEL DEPTH	VESSEL HEIGHT			
UCPMDG1-64L	47.24"	35.43"	35.43"	35.43"	25.20"	16.54"	540 lb	1 x 64 gal	1
UBAVR64DX	39.37"	35.28"	38.58"	27.56"	25.20"	16.54"	386 lb	48 gal	1
UBACC1010	31.50"	25.20"	49.41"	37.80"	20.08"	8.66"	112 lb	3 GN1/1	-

MODEL	UTILITIES									
	OVERFLOW (T)	H2O DRAIN (S)	H2O DRAIN (D)	COLD WATER INLET (B)	WATER PRESSURE (PSI)	GAS POWER (BTU/H)	GAS CONNECTION (G)	STD VOLTAGE (E)	ELECTRIC POWER	CURRENT
UCPMDG1-64L	1.57"	2.00"	-	0.50"	25-50	154,500	3/4"	2 PHASE 208V~ 60Hz	2.50 kW	12.0 A
								2 PHASE 220-240 V~ 60Hz	2.80 kW	11.7 A
UBAVR64DX	1.57"	-	2.00"	0.80"	25-50	-	-	1 PHASE 220-240V~ 60Hz*	1.40kW	-
UBACC1010	-	-	-	-	-	-	-	-	-	-

\* Connected to multicooker, not to main supply

**INTENDED FOR COMMERCIAL USE ONLY.  
NOT FOR HOUSEHOLD USE.**

