

Specification

FW5004-2 Curved Warmer Merchandiser



- ◆ Easy to clean.
- ◆ Stainless-Steel cabinet
- ◆ Tempered glass side and door panels.
- ◆ Designed for holding precooked specialty foods.
- ◆ Fixed chrome-plated racks.
- ◆ Adjustable thermostat, 1200-watt element, Temperature up to 160°F.

Note: Dimensions and Specification are subject to change without notice.



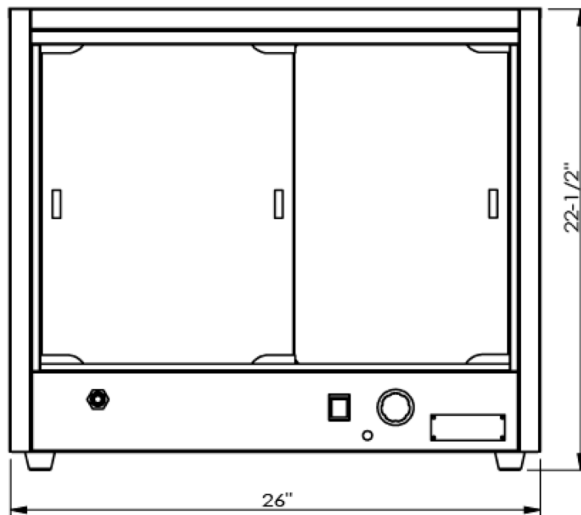
Cozoc 2-Door warmer merchandiser is designed for counter applications. The operator side has controls and a door for easy loading. The consumer side has a door for self-serve. Features an adjustable thermostat with a circulating fan, three adjustable chrome-plated racks can that be placed flat or sloped and are removable for easy cleaning. Stainless Steel and Aluminum construction provides durability and ease of cleaning.

Dimensions and Specifications

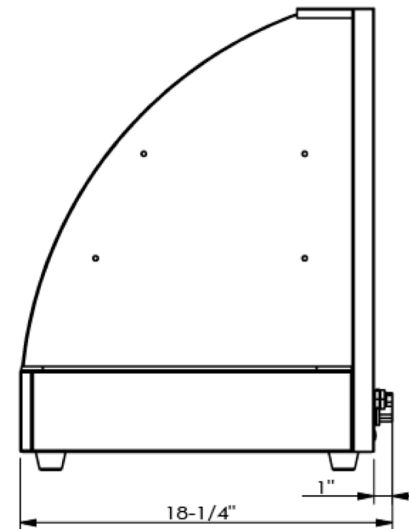
FW5004-2



Front View



Side View



Options None

Electrical 120 Volts, 60 Hz

Power 1200 Watts

Net Weight 57 lbs.

Gross shipping weight 64 lbs.

Class 85

Dimensions 26" W x 17.5" D x 22.75" H

Package 31" W x 21" D x 26" H

Warranty 1 Year Manufactures limited Warranty