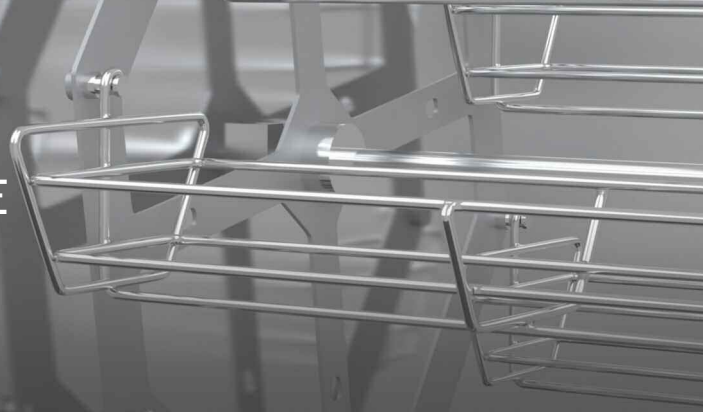




RÔTISSERIE

# ROTI-ROASTER MINI-CONCEPT

## 8.720iF2LSP8



### ROTI-ROASTER MINI-CONCEPT

Space-saving and energy-saving Mini Rotisserie Concept. Boost impulse sales and maximize food presentation during the cooking process.

### The MINI-CONCEPT: Optimization of space with a self-service display

Heated display with dual level stainless steel shelves angled at 10° for grab-and-go convenience. Featuring digital electronic temperature control. Mounted on castors with brakes.

Topped by a programmable ROTI-ROASTER convection rotisserie with baskets or chicken spits. 6 pre-set recipes via digital controls. Pre-heat, hold and cool-down cycles.

Easy-to-clean design with components that quickly break down and can be cleaned in a standard sink or dishwasher. Safely dispose of hot grease with gravity-fed grease collection system.

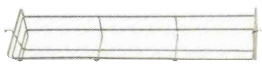





Designed for your operators to load and unload with rear door reach-in and pass-through configurations. Front or rear control options.

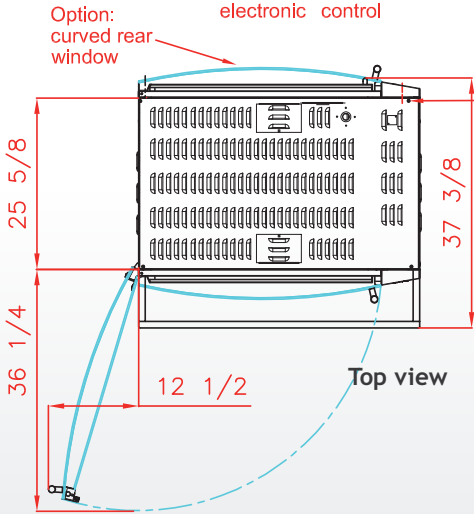
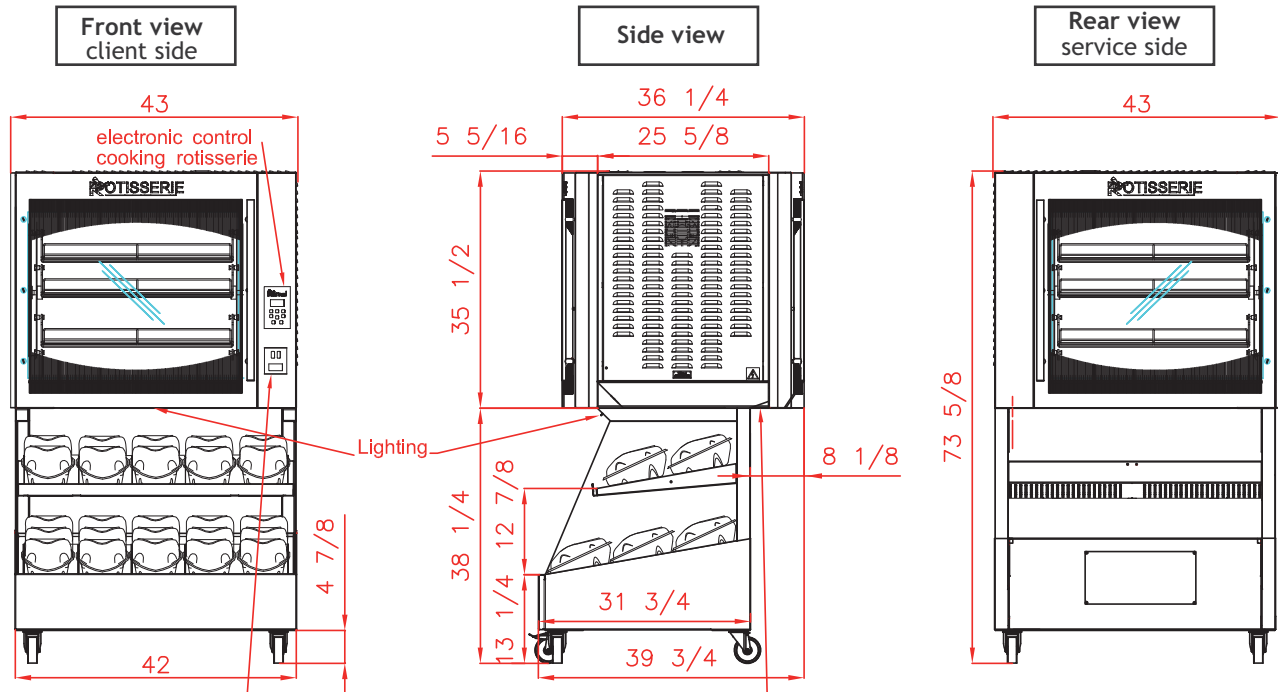


### EXPAND MENUS

A variety of baskets and skewers easily slide into place to cook pork loin, turkey breast, meatloaf, ribs, vegetables, and more. See [video](#).

8.720iF2LSP8

<p><b>BALD720</b> Chicken baskets standard</p>		<p><b>BAP720</b> Small cuts basket</p>		<p><b>BAB720</b> Spit for large pieces</p>	
<p><b>PD720</b> Stainless steel top tray</p>		<p><b>BCRA720</b> Spatchcock chicken basket</p>		<p><b>TP8720</b> Protective roof</p>	



### SPECIFICATIONS

Capacity roasted chickens	32-40 chickens, 8 baskets/spits
Display capacity	25 chickens
Power supply	208-240V-60Hz; 3-phase + Ground
Electrical power	49 Amps; 10.1 kW
Weight and size (HxDxW)	618 lbs; 73 5/8 x 39 3/4 x 43 inches
Shipping weight and size	750 lbs; 81 1/8 x 44 1/2 x 44 1/2 inches
Warranty	1 year parts and labor

Revised:  
 March 2021  
 U.S. April 2021

8.720iF2LSP8

DISTRIBUTOR / AGENT

Rotisol France, Inc.  
 415 W. Walnut St. Gardena, CA 90248  
[info@rotisolusa.com](mailto:info@rotisolusa.com)  
 Ph: 310 671 7254  
 800 651 5969