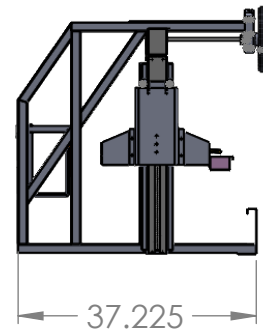
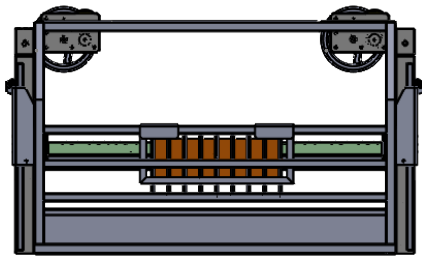
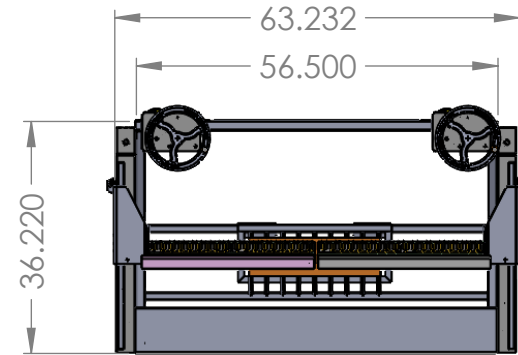
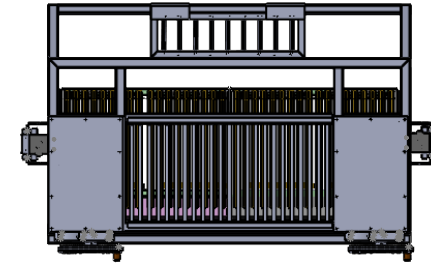
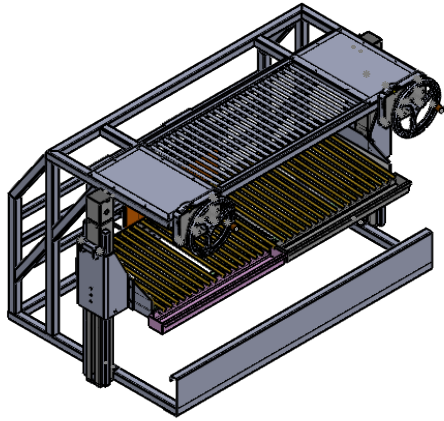


2

1

REVISIONS				
ZONE	REV.	DESCRIPTION	DATE	APPROVED
	A	RFP	8/27/19	RWG



B

B

A

A

PROPRIETARY AND CONFIDENTIAL
 THE INFORMATION CONTAINED IN THIS DRAWING IS THE SOLE PROPERTY OF GRILLWORKS. ANY REPRODUCTION IN PART OR AS A WHOLE WITHOUT THE WRITTEN PERMISSION OF GRILLWORKS IS PROHIBITED.

		UNLESS OTHERWISE SPECIFIED:		NAME	DATE
		DIMENSIONS ARE IN INCHES	DRAWN	MLD	8/27/19
		TOLERANCES:	CHECKED		
		FRACTIONAL	ENG APPR.		
		ANGULAR: MACH BEND	MFG APPR.		
		TWO PLACE DECIMAL .02	Q.A.		
		THREE PLACE DECIMAL .01	COMMENTS:		
		INTERPRET GEOMETRIC TOLERANCING PER:			
		MATERIAL			
		FINISH <i>NO. 4 BRUSH</i>			
NEXT ASSY	USED ON				
APPLICATION		DO NOT SCALE DRAWING			

TITLE: GRILLWORKS EXO X72			SIZE	DWG. NO.	REV
			A	GR-X60-0000	A
SCALE: 1:30		WEIGHT:	SHEET 1 OF 1		