

STREAMLINE HOT WELL CART

Carts designed specifically for remote service and built to last.



Changing
how food is served.

LTI's molded fiberglass & stainless steel food bar is durable & incredibly easy to clean, looking new for 20 years – **outlasting any plastic or laminated unit.**



Streamline Hot Well Cart

MODEL NUMBER HWC-60

- 60-3/8" long x 30" wide x 34" high
- Molded Fiberglass

STANDARD MODEL:

- 2-Pan Insulated Ice Pan
- One Hot Well
- Single-Sided Service, Single-Tier Sloped Overshelf (14-gauge Stainless Steel)
- Stainless Steel Push Handle
- Available in Black, White, Regal Blue, and Candy Apple Red
- 5" Casters with Brakes on All Wheels

OPTIONAL EXTRAS:

- Double Service
- End Drop Shelf
- Vinyl Graphics on 4 Sides
- Decals (each) - Art Print-Ready Files Provided
Max size of 24" x 48" (if not, design fee will be applied)



SHOWN WITH OPTIONAL EXTRA
End Drop Shelf, Vinyl Graphics

Vinyl Graphic Wrap Options - choose one of these designs for the cart



Vinyl Graphics 1



Vinyl Graphics 2



Vinyl Graphics 3



Vinyl Graphics 4



Vinyl Graphics 5



Vinyl Graphics 6



Vinyl Graphics 7



Vinyl Graphics 8



Vinyl Graphics 9



Vinyl Graphics 10

STREAMLINE HOT WELL CART

SPECIFICATION

Top to be 30" wide and fabricated from 14-gauge **stainless steel** with square turndown on all sides and corners fully welded, ground and polished. To have #4 satin finish with all edges having #7 hi-lite finish.

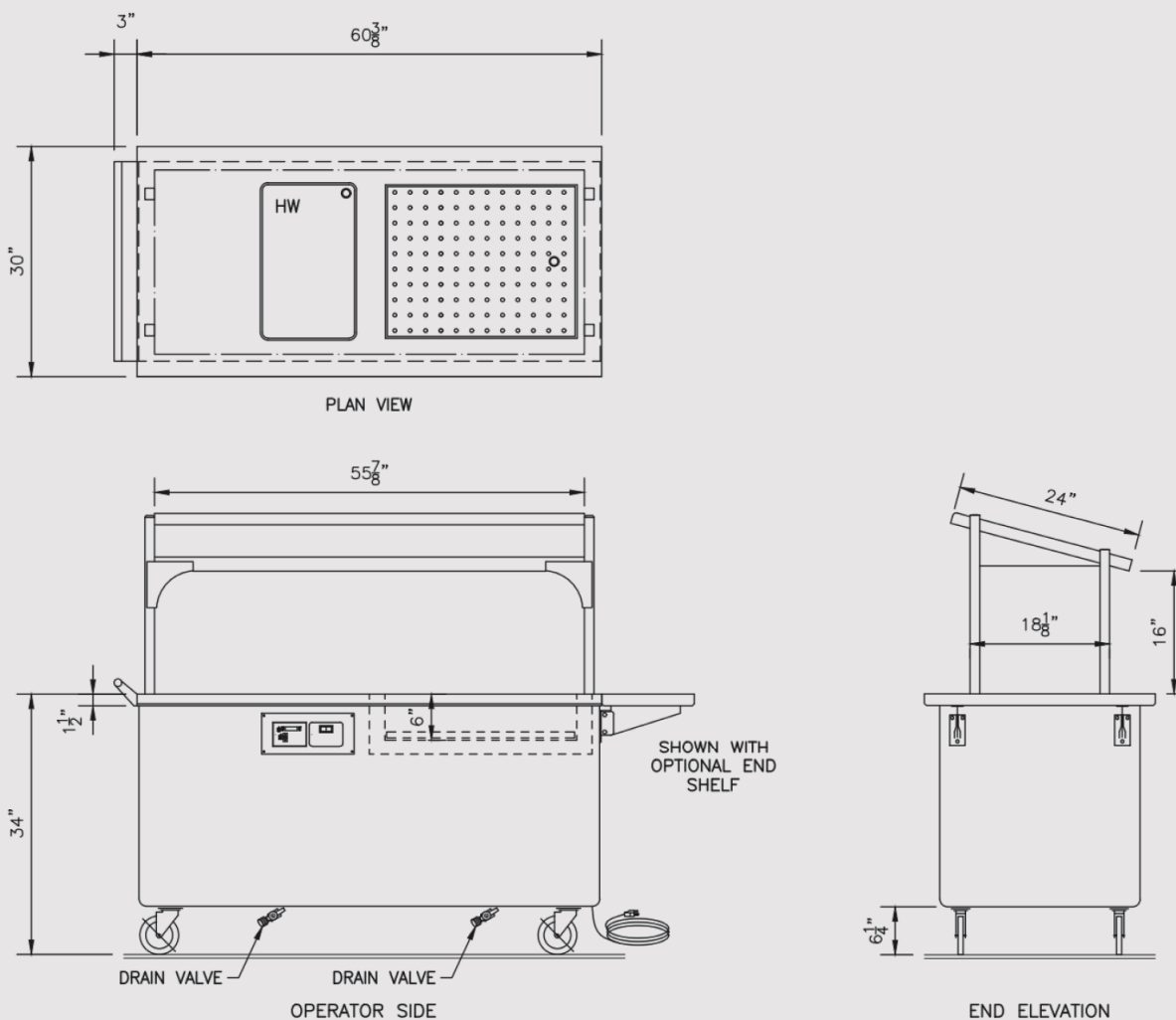
Body to be **seamless molded fiberglass** (F.R.P.) with smooth exterior surfaces and rounded corners. To be constructed by a hand lay-up process with four layers of 1.5 oz continuous strand fiberglass mat, plus a 24 oz layer of woven roving on the bottom for added strength. To be flame retardant per specification ASTM E-162 having a flame spread of 25 or less. Body interior to be reinforced at each end with 4" wide, 12-gauge galvanized steel channel welded to form integral "U" frame for maximum stress relief. Single Hot well and ice cooled cold pan shall be of 18-gauge **stainless steel** and be 6" deep. The welded watertight pan to be double wall construction fully insulated with urethane insulation with sectional, removable false bottom. A full

perimeter plastic laminate breaker strip shall separate the top from the cold pan. The cold pan to have 1" open brass drain with extension to shut-off valve below base.

5" diameter x 2" wide, ball bearing, swivel type casters to be non-marking and with brakes on all wheels. Casters to be mounted with internal and external bracing for maximum stress relief.

Standard cart will have single-sided single-tier sloped overshelf 14 gauge **stainless steel**.

The tray slides shall be 16-gauge **stainless steel**, 8" wide with edges turned down square and all corners fully welded, ground and polished. Support brackets to be adjustable 14-gauge **stainless steel** fold down type. Bracket to have the ability to be adjusted for 1/4" in height and leveling.



REV 11/12/18



LTI, Inc.
9192 Tara Blvd.
Jonesboro, GA 30236

T 770 478 8803
F 770 471 3715
W lowtempind.com

To order, contact your local LTI Rep at lowtempind.com/rep