

PRECISIONBREW™

DIGITAL BREWER FOR GRAVITY POT

Project

Date

Models

B-SGP-120V

B-DGP-240V

Item #

Quantity



Model B-SGP



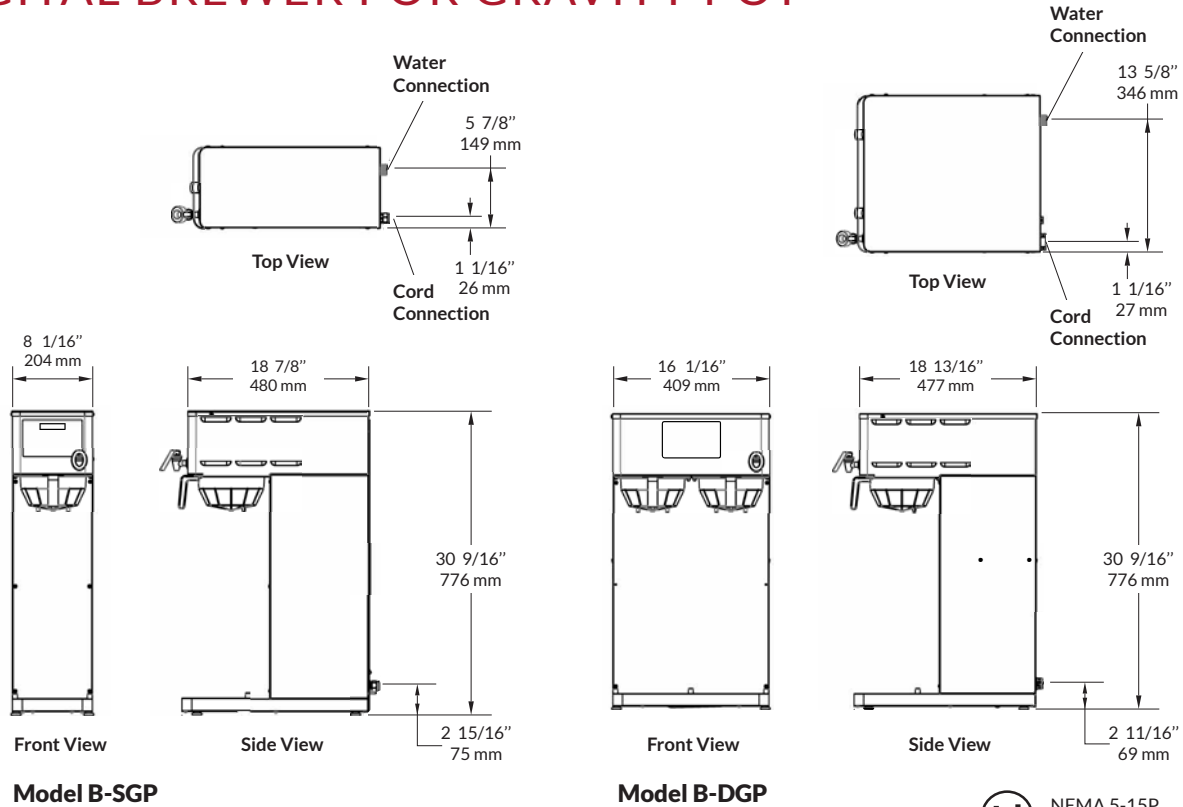
Model B-DGP

Features

- Precise brew temperature control. The brewer will maintain the brew temperature to +/- 0.5°C (1°F).
- The number of pulses, pulse-on and pulse-off time can be programmed to extract more solids (TDS) from the coffee.
- Brew Volume can be set by “teach” mode to eliminate trial-and-error set-up.
- The brewer is set to prevent brewing until the water has reached the optimal brew temperature thus reducing coffee waste.
- The brewer settings can be “locked” to prevent tampering. No unexpected changes to coffee flavor which protects customer satisfaction and prevents coffee waste.
- Energy saving option to shut off the tank heater after a set amount of time of inactivity.
- The unit has wakeup time so the customer can tell the unit to heat at a set time.
- Power option on front that shuts off heater without reaching behind brewer.
- “Half Brew” function allows to prepare half volume to reduce water and energy consumption and minimize coffee waste.
- The modern design features all stainless steel construction, rounded corners, and attractive control panel.
- The operator interface has universally recognizable symbols to make the machine easy to use correctly regardless of the language spoken by the operator.
- The smooth design of the interface facilitates easy cleaning and sanitization of the contact area.
- The brewer counts the number of brew cycles for preventative maintenance. No equipment downtime or lost sales due to maintenance.
- A hot water faucet is conveniently located on the front of the machine for preparing single servings of tea, soup, and cereal quickly.
- Power option on front that shuts off heater without reaching behind brewer.

PRECISIONBREW™

DIGITAL BREWER FOR GRAVITY POT



 NEMA 5-15P
120V Models Only*



 NEMA L6-30P
B-DGP - 240V Model*



MODEL	DESCRIPTION	PRODUCT DIMENSIONS (H X W X D)	SHIP DIMENSIONS (H X W X D)	ELECTRICAL	SHIP WEIGHT
B-SGP-120V 1010-008	Single, digitally controlled brewer brews into a 64-ounce Gravity Pot.	30-9/16" x 8-1/16" x 18-5/16" (78 cm x 41 cm x 48 cm)	33.9" x 25.5" x 9.5" (86 cm x 65 cm x 24 cm)	120V / 1805W / 15 A / 1 Ph NEMA 5-15P	30 lbs. (14 kg)
B-DGP-240V 1010-005	Twin, digitally controlled brewer brews into a 64-ounce Gravity Pot.	30-9/16" x 16-1/16" x 18-13/16" (78 cm x 41 cm x 48 cm)	33.9" x 25.5" x 17.5" (86 cm x 65 cm x 45 cm)	240V / 6025W / 15 A / 1 Ph NEMA L6-30P	50 lbs. (23 kg)

Plumbing: 3/4" GHT fitting at 30 - 80 psi required.

Electrical: *NEMA 5-15P plug included with 120V models; NEMA L6-30P plug included with twin 240V models. **Brew Capacity:** (64 oz. decanters per hour) (12) at 120V; (14); (33) at 240V twin models.

Listings: 120 V models - UL, NSF, 240V models - UL, NSF.

Note: Gravity Pots sold separately. Contact Grindmaster™ for more information. Specifications subject to improvement or change without notice.

Grindmaster™ 4003 Collins Lane, Louisville, KY 40245 USA

Tel: +1.502.425.4776 / 800.695.4500 (USA & Canada only) • Fax: +1.502.425.4664 • www.grindmaster.com

© 2021 Grindmaster™ PRINTED IN USA | 0621 Form # AM-298-08