

norpole

500 lb. Ice Maker Head ♦ NPCIM500M



Standard Features

- ♦ Included in-line water filter
- ♦ Air-cooled condenser with removable filter
- ♦ Automatic ice making and error-detecting control system
- ♦ Auto shut-off with full bin indication
- ♦ Adjustable ice thickness
- ♦ Easy clean function

Plug Type:
(NEMA) 5-15P



Technical Specifications

Product Classification	Modular Ice Maker
Climate Class	N
Number of Doors	n/a
External Cabinet Material	304 Stainless Steel
Type of Refrigeration Agent	R-290
Interior Light	Yes

Capacity

Ice Making Capacity	500 lbs. / day
Bin Capacity (Sold Separately)	275 lbs.

Dimensions

External Dimensions (W x D x H)	29.9 x 24.3 x 22.4 in
Bin Dimensions (W x D x H)	29.9 x 32.7 x 45.3 in
Head Shipping Dimensions	29.5 x 33.3 x 24.4 in
Bin Shipping Dimensions	35.0 x 33.5 x 41.5 in

Gross Weight

Ice Maker Head	154.3 lbs.
Ice Maker Bin	110.2 lbs.

Accessories

Drain Type	Gravity
Ice Scooper	Included
Ice Shape	Full Cube

Certified Safety Standard

- ♦ ETL Listed
- ♦ ETL Sanitation Listed



Warranty Information

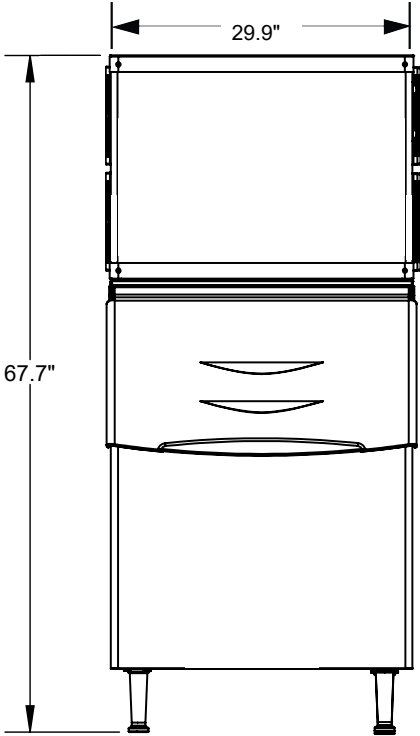
- ♦ 5 Years Compressor
- ♦ 1 Year Parts & Labor



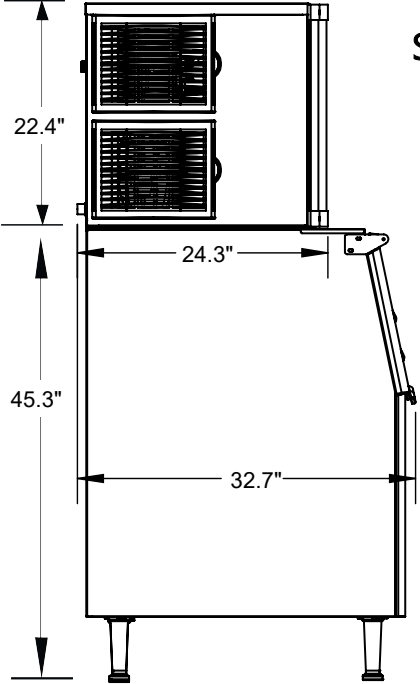


500 lb. Ice Maker Head ♦ NPCIM500M

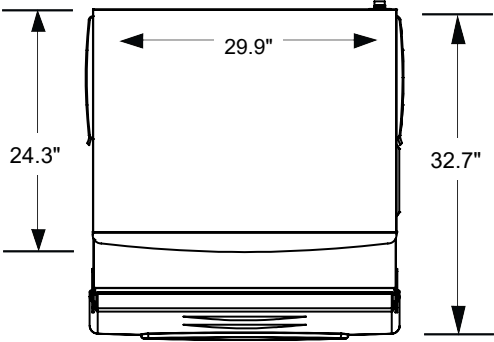
Front



Side



Top



Plug Type:
(NEMA) 5-15P

