



DROP-IN CABINET

The Global DI-4 drop -in cabinet is designed for storing chilled dishes, mugs , ice cream storage and medical applications.

Forced convection condenser unit permits air intake and exhaust through front even when installed on a raised solid base. Bare-tube design makes it easy to keep clean.

The cabinet is designed to fit below standard 34 inch countertop and installs in 30 inch deep backbar or counter.



All products are certified for energy , safety and sanitation. NSF/ ANSI 7 Standards

FEATURES

- Digital temperature controller with LED display
- Interior Cavity Temperature 0°F to -20°F
- White powder paint interior with galvanized exterior
- Kelvinator Refrigeration Design
- Stainless Steel top and Stainless Steel Lids foamed in place with Vinyl Chamber Guards
- Compressor and thermostat are available through front opening.
- Drain Connection

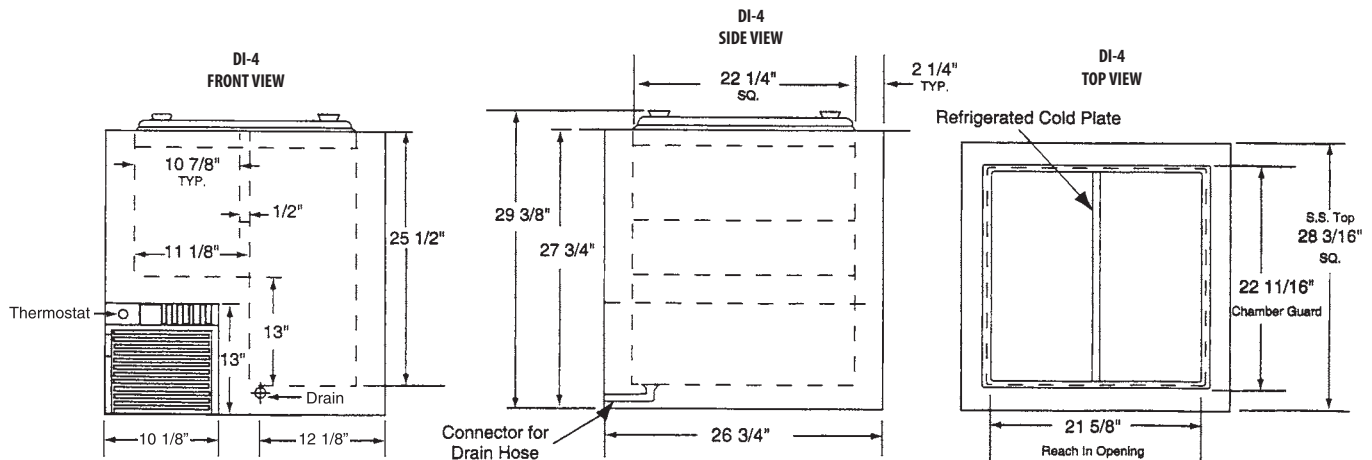
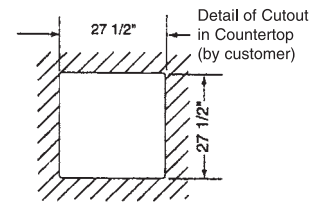
DROP-IN CABINET

TECHNICAL DATA

MODEL	DI-4
Temp Range	0°F to -20°F
Exterior Dimensions	
Length	28.19"
Depth	28.19"
Height	29.38"
Capacity	4.9 cu. ft.
Compressor	Hermetic
Shipping Weight	255 lbs.
Condensor Type	Bare Tube
Electrical	Conduit Connected, Max Fuse Size 15A
Rated Amps	4.5
Volts	115/60/1

SPECIFICATIONS

Drop in Ice Cream Cabinet, Global model **DI-4**. The unit construction shall consist of 20 gauge unfinished galvanized steel exterior and white powder coat paint interior, foamed in place. Cabinet as specified to use R404-A refrigerant. Refrigeration control shall be thermostatic with a temperature range of 0°F to -20°F. Cabinet to be furnished with a drain connection.



Cabinet designed for optimum performance in air-conditioned area at 70°F to 75°F ambient temperature and 50% to 55% relative humidity.

Global Refrigeration, Inc., reserves the right to change specifications, terms, and prices without notice.



5855 Grant Avenue, Cleveland, OH 44105

888.650.9799

www.globalref.com