



Project _____

Item # _____

Quantity _____

Flav-R-Shield™ Double-Sided Self-Service Sneeze Guard – Model ES92

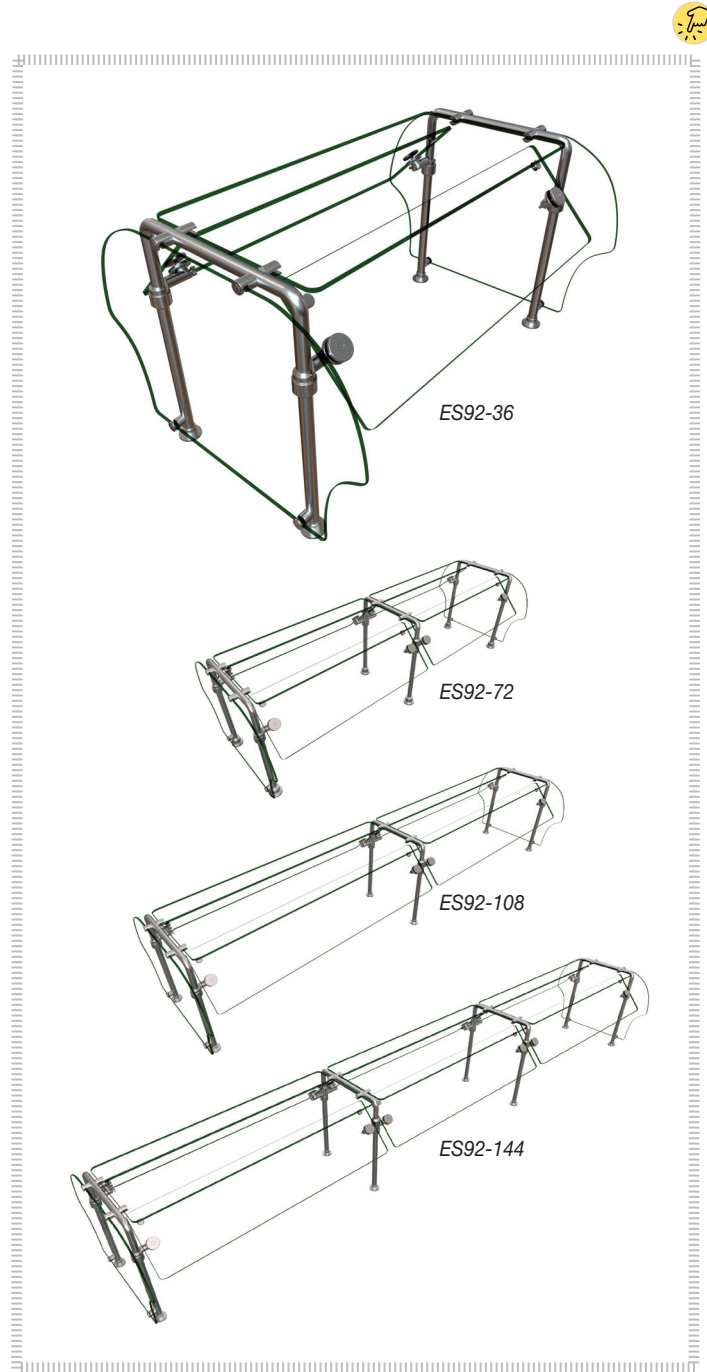
Item Numbers:

ES92-36, -48, -60, -72, -84, -96, -108, -120, -132, -144

Enhance and protect food products simultaneously with Hatco's Flav-R-Shield™ Sneeze Guards – ES92 for stationary double-sided self-service applications. These stylish yet functional Sneeze Guards, with several patented features, are ideal for buffet lines and serving stations. They provide all the requirements to safeguard your foods.

Standard features

- Unit is double-sided, self-service designed for 40" (1016 mm) deep counter tops
- Stylish 1" (25 mm) Diameter SAE 304 brushed stainless steel Posts
- 2" (50 mm) Diameter stainless steel finish Flanges with unique tight-fitting Flange Covers that hide mounting screws and maximize cleanability
- Durable 0.375" (10 mm) Thick tempered glass construction with 0.75" (19 mm) radius corners and flat polished edges for a clean look throughout
- Two adjustable Face Panels, glass Top Shelf and two glass End Panels which are 20.25" High x 37.75" Deep (514 x 959 mm)
- Mounts to stainless steel, natural and artificial solid stone surfaces and laminate countertops



For operation, location and safety information, please refer to the Installation and Operating Manual.



HATCO CORPORATION | P.O. Box 340500 Milwaukee, WI 53234-0500 U.S.A. | (800) 558-0607 | (414) 671-6350



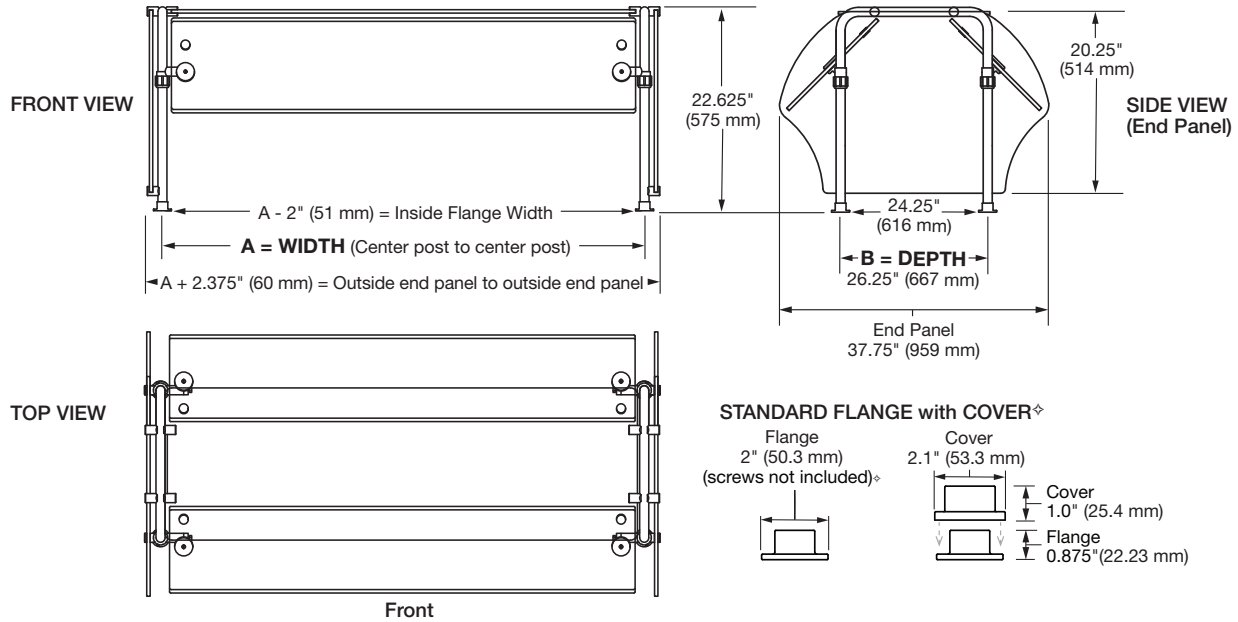
www.hatcocorp.com | www.hatcosneezeguards.com | support@hatcocorp.com | [Find a Hatco Rep](#) | [Image Library](#) | [Document Library](#) | [Patents](#) | [Chat](#)



Flav-R-Shield™ Self-Service Sneeze Guards - Model ES92

Item Numbers: ES92-36, -48, -60, -72, -84, -96, -108, -120, -132, -144

Model ES92 Standard offerings (one bay shown)



SPECIFICATIONS★ Flav-R-Shield™ Self-Service Sneeze Guards - Model ES92

All Sneeze Guards are 22.625" (575 mm) High

Number of Bays	Item Number	A Width Center of post to center of post	B Depth Center of post to center of post	Total Approx. Ship. Weight [■]
1	ES92-36	36" (914 mm)	26.25" (667 mm)	226 lbs (103 kg)
1	ES92-48	48" (1219 mm)	26.25" (667 mm)	275 lbs (125 kg)
2	ES92-60	60" (1524 mm)	26.25" (667 mm)	310 lbs (141 kg)
2	ES92-72	72" (1829 mm)	26.25" (667 mm)	353 lbs (160 kg)
2	ES92-84	84" (2134 mm)	26.25" (667 mm)	400 lbs (182 kg)
2	ES92-96	96" (2438 mm)	26.25" (667 mm)	451 lbs (205 kg)
2	ES92-108	108" (2743 mm)	26.25" (667 mm)	507 lbs (230 kg)
3	ES92-120	120" (3048 mm)	26.25" (667 mm)	550 lbs (250 kg)
3	ES92-132	132" (3353 mm)	26.25" (667 mm)	627 lbs (285 kg)
3	ES92-144	144" (3658 mm)	26.25" (667 mm)	705 lbs (320 kg)

◇ 2" (50 mm) long #8 counter sink screws are recommended for installations on most surfaces. Requirements will vary based on surface material and thickness. Fasteners not included.

★ Unit is designed for a 40" (1016 mm) Deep or more counter top.
■ Items may be shipped in multiple boxes.

PRODUCT SPECS Flav-R-Shield™ Self-Service Sneeze Guards - Model ES92

Flav-R-Shield Self-Service Sneeze Guard – Model ES92 shall be manufactured by the Hatco Corporation, Milwaukee, WI 53234 U.S.A.

The unit shall be ... inches (millimeters) in overall width, ... inches (millimeters) in overall depth and ... inches (millimeters) in overall height.

The Sneeze Guard shall be double-sided, self-service designed for 40" (1016 mm) deep counter top, with 1" (25 mm) Diameter SAE 304 brushed stainless steel Posts,

2" (50 mm) Diameter stainless steel finish Flanges with Flange Covers. Unit shall have 0.375" (10 mm) Thick tempered glass construction with 0.75" (19 mm) radius corners and flat polished edges, two adjustable Face Panels, glass Top Shelf and two glass End Panels 20.25" High x 37.75" Deep (492 x 959 mm).

Warranty consists of one (1) year parts only.

HATCO CORPORATION | P.O. Box 340500 Milwaukee, WI 53234-0500 U.S.A. | (800) 558-0607 | (414) 671-6350

www.hatcocorp.com | www.hatcosneezeguards.com | support@hatcocorp.com | [Find a Hatco Rep](#) | [Image Library](#) | [Document Library](#) | [Patents](#) | [Chat](#)