



16 GAUGE STAINLESS STEEL

ONE STATION A.D.A. WALL MOUNTED SINK WITH TUBULAR LEGS & CROSS BRACING

ELECTRONIC OPERATED



K-175 Electronic Faucet Included

Item #:	_____	Qty #:	_____
Model #:	_____		
Project #:	_____		



A.D.A. COMPLIANT



FEATURES:

- 8 1/2" high backsplash.
- 5" sink bowl depth.
- Two stainless steel "Z" brackets.
- One K-6 3 1/2" rear basket drain.
- Tubular stainless steel legs with flanged feet.
- Side & rear adjustable cross-bracing with leg clamps.
- Manual Operated:** Faucets sold separately.
- Electronic Operated:** Includes two K-175 Electronic Faucets.

CONSTRUCTION:

All TIG welded.
Welded areas blended to match adjacent surfaces and to a satin finish.

MATERIAL:

All 16 gauge type "304" stainless steel.
1 5/8" tubular "304" stainless steel wall brackets.
Stainless steel gussets.

MECHANICAL:

Single faucet hole punch at each station.

Model #	Length	# of Faucets	Wt.	Cu. Ft.
FC-FM-1-EFADA	40"	1	87 lbs.	15

[Click Here For Install Guide](#)



MULTI-STATION ACCESSORIES & REPLACEMENT PARTS

Model	Description	QTY:
K-6	3 1/2" Drain (1 1/2" I.P.S.)	_____
K-06	Splash Mount Faucet Mounting Kit	_____
K-13	Stainless Steel Soap Dispenser (Wall Mount Only)	_____
K-175	Single Hole, Splash Mounted 3-1/2" Electronic Faucet	_____
K-411	Strainer Plate for 3-1/2" Drain	_____
K-508	Special Sizing Charge (<i>Larger Size Cut Down To Smaller Size</i>)	_____
TA-19	Adjustable Stainless Steel Flanged Bullet Foot	_____



= Ships UPS

Standard Faucets conform to NSF 61 Standard 9 and compliance to AB 1953 Standards.

WARNING: Equipment that include faucets on this page may contain a chemical known to the State of California to cause cancer, birth defects or other reproductive harm.



Customer Service Available To Assist You 1-800-645-3166 8:30 am - 7:00 pm E.S.T.

For Orders & Customer Service:

Email: customer@advancetabco.com or Fax: 631-242-6900

For Smart Fabrication™ Quotes:

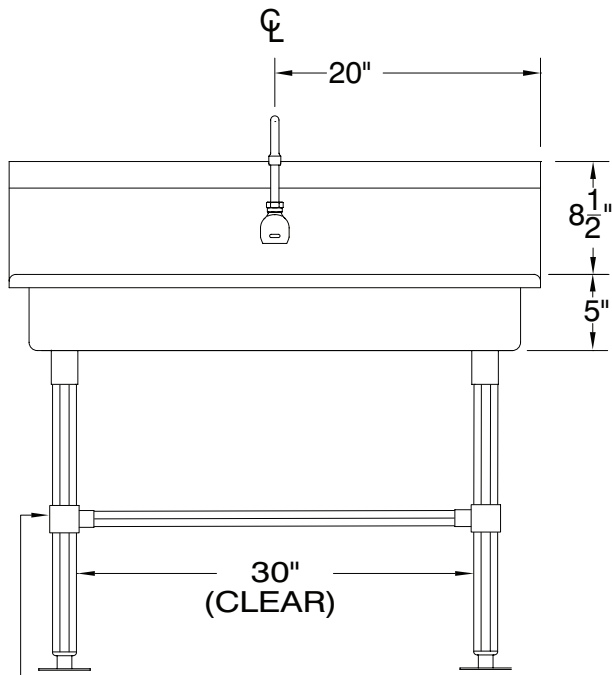
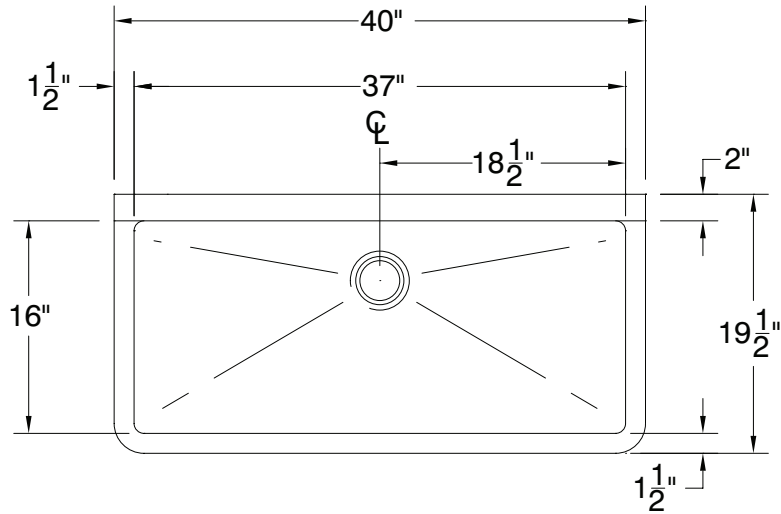
Email: smartfab@advancetabco.com or Fax: 631-586-2933

DETAILS and SPECIFICATIONS

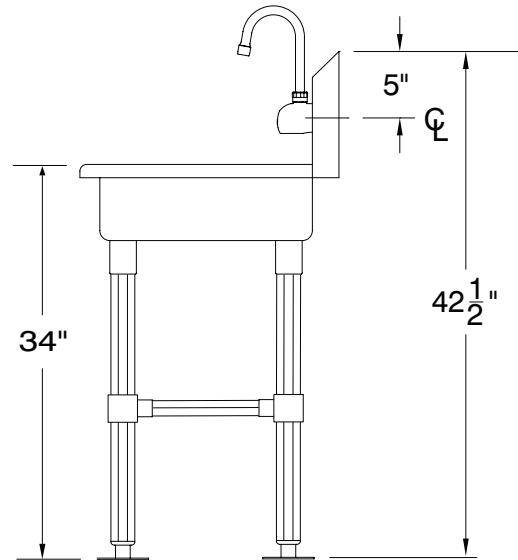
TOL ± .500"

ALL DIMENSIONS ARE TYPICAL

FC-WM-1-EFADA



Stainless Steel Rear & Sides
Adjustable Cross-Bracing



87 Lbs.

