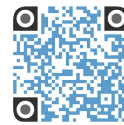




# F-1002MRJZ(-C)

Modular Ice Machine  
Slim-Line Series



F-1002MRJZ(-C)  
09/17/21  
Item # 13619

Item #: \_\_\_\_\_  
Project: \_\_\_\_\_  
Qty: \_\_\_\_\_  
AIA#: \_\_\_\_\_

**W x D x H**  
22" x 27<sup>3/8</sup>" x 26"


Shipping Dimensions  
32" x 26<sup>1/2</sup>" x 32"


**F-1002MRJZ**  
Remote Air-Cooled Flaker

**F-1002MRJZ-C**  
Remote Air-Cooled Cubelet



## Features

- ▶ Durable stainless steel exterior
- ▶ Advanced CleanCycle24™ design 
- ▶ Stainless steel auger with greaseless bearing

- Flaker - Up to 907 lbs. of ice production per 24 hrs.
- Cubelet - Up to 821 lbs. of ice production per 24 hrs.
- Infrared bin control for easy cleaning and reliability
- Protected by H-GUARD Plus Antimicrobial Agent 
- 2 second flush cycle every hour
- Flush cycle removes sediment for cleaner ice
- Mount two units, side-by-side, in only 44" of floor space for double the amount of ice production
- R-404A Refrigerant

### Available on Bins:

B-250SF B-500SF B-800SF B-1150SS B-1500SS\*  
B-300SF B-700SF B-900SF B-1300SS B-1650SS\*

Top kit may be required; See Bin Spec Sheets. \*Two unit application only.

### Warranty:

3 Year Parts & Labor on entire machine. 5 Year Parts on Compressor; air-cooled condenser coil. Valid in United States, Canada, Puerto Rico and U.S. Territories. Contact factory for warranty in other countries.

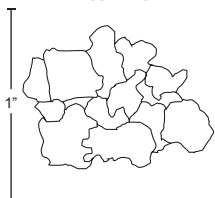


Condenser	Model	ICE PRODUCTION		WATER USAGE		ELECTRICAL					Heat Rejection BTU/hr.	Refrigerant Charge Amount	Net / Ship Weight (lbs.)
		Air / Water Temp Lbs. per 24 hours 70°/50°F	90°/70°F	Potable Gal. per 100 lbs. 90°/70°F	Condenser Gal. per 100 lbs. 90°/70°F	kWh Used per 100 lbs. 90°/70°F	Max. Fuse Size or HACR Circuit Breaker	Amperage	Voltage	Circuit Wires (including ground)			
Remote	F-1002MRJZ	907	722	12.0	N/A	4.51	20A	15.23A	115V/60/1	3	8,600	2 lbs. 3.3 oz. 4 lbs. 1 oz. †	176 / 210
Remote	F-1002MRJZ-C	821	680	12.0	N/A	4.94	20A	15.23A	115V/60/1	3	8,500	2 lb. 3.3 oz. 4 lbs. 1 oz. †	176 / 210

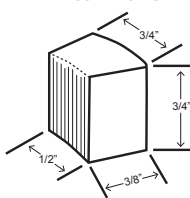
†(with condenser)

Power cord not included

### Cube Dimensions\* Flaked F-1002MRJZ



### Cubelet F-1002MRJZ-C



\* approximate size in inches, image not to scale

### Operating Limits

- Ambient Temp Range 45 - 100°F
- Water Temp Range 45 - 90°F
- Water Pressure 10 - 113 PSIG
- Voltage Range 104-127V

### Service

- Panels easily removed and all components accessible for service.
- Allow 24" (61 cm) clearance at top for removal of auger and 6" (15 cm) clearance at rear and sides for proper air circulation and ease of maintenance/service.

### Plumbing

- Icemaker Water Supply Line: Minimum 1/2" Nominal ID Copper Water Tubing or Equivalent
- Icemaker Drain Line: Minimum 3/4" Nominal ID Hard Pipe or Equivalent

### Line Sets

- Line sizes for lengths up to 66': 1/4" LIQ and 3/8" DIS
- Line sizes for lengths greater than 66' to a maximum of 100': 3/8" LIQ and 1/2" DIS plus charge adjustment - add 16.5 oz. (468 g) of refrigerant to compensate for larger diameter line sizes and 0.4 oz. (11 g) for each foot over 66'.

### Water Filter

Please refer to water filter specification sheet for recommendations.

Hoshizaki reserves the right to change specifications without notice.



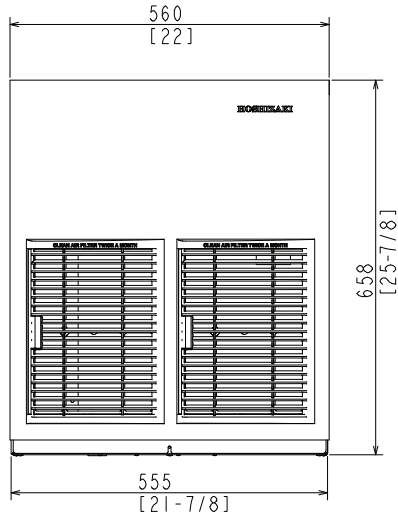
# F-1002MRJZ(-C)

Modular Ice Machine  
Slim-Line Series

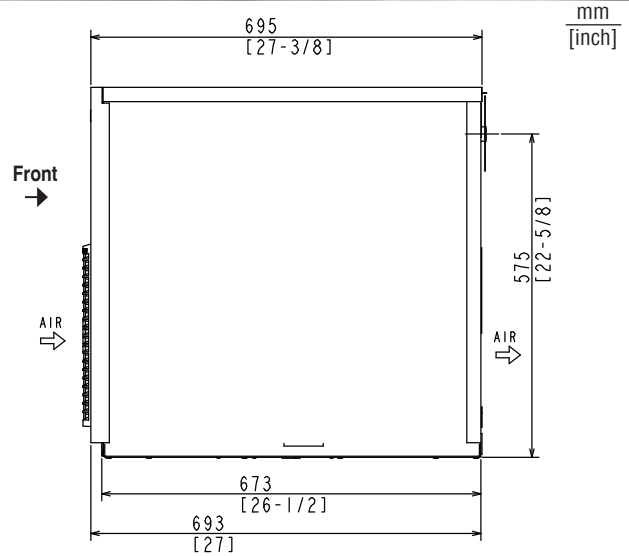


F-1002MRJZ(-C)  
09/17/21  
Item # 13619

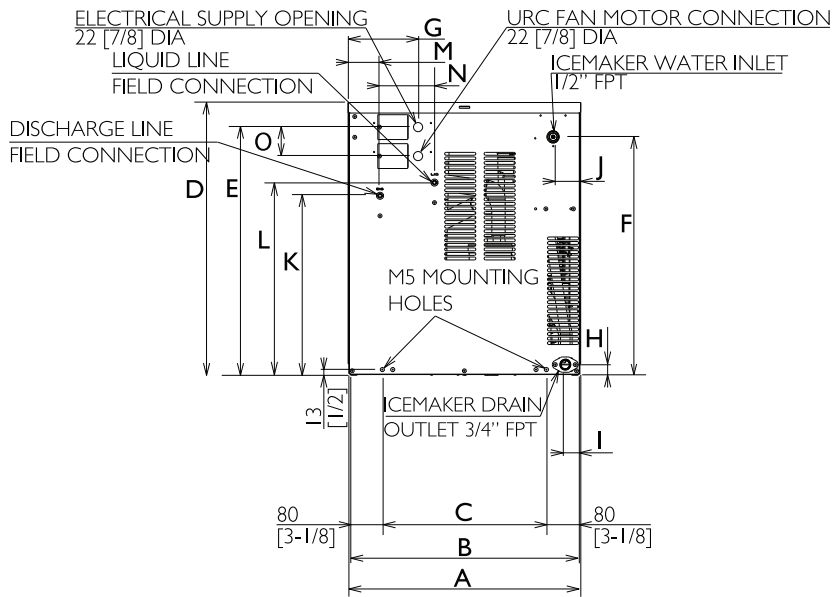
FRONT VIEW



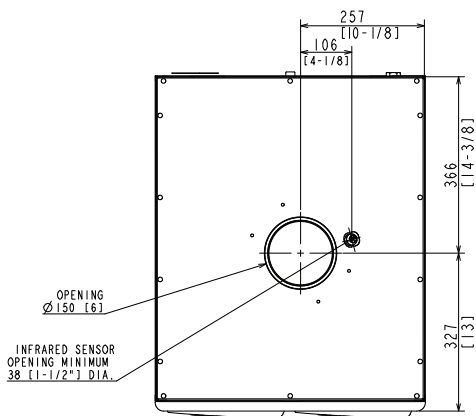
SIDE VIEW



REAR VIEW



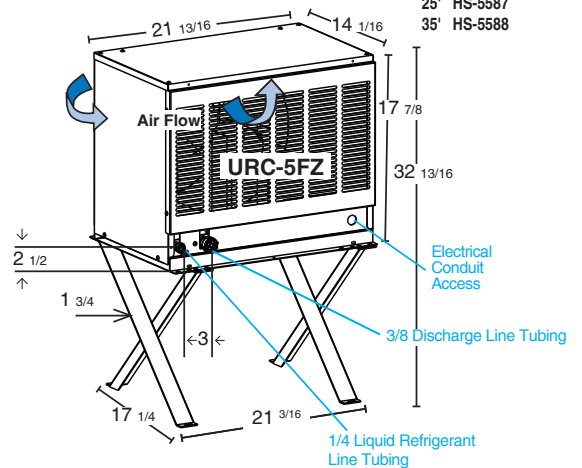
BOTTOM VIEW



**URC-5FZ Remote Condenser (Sold Separately)**  
(W x D x H) 21<sup>13/16</sup> x 14<sup>1/16</sup> x 32<sup>13/16</sup>

For Use with F-1002MRJZ(-C)

**Brazed Line Sets (Sold Separately)**  
25' HS-5587  
35' HS-5588



Voltage supply for ice maker and condensing unit are separate.

Front ↑