

Salvajor Model MSS & MSS-LD

Manual

Start

Stop

Pre-Wired Manual Start-Stop Control Panel
for Disposer Models: 75 - 100 - 150 - 200 - 300 - 500

SPECIFICATIONS

- NEMA 4 Stainless Steel Corrosion-Resistant Enclosure
- Magnetic Contactor
- Start/Stop Push Buttons
- Terminal Strip Connections

OPTIONAL:

- Line Disconnect (LD)



MSS



MSS-LD



VOLTAGES AVAILABLE

1-PHASE

115 VOLT, 208-230 VOLT

3-PHASE

208-230 VOLT, 460 VOLT

◆ SPECIFY EXACT OPERATING VOLTAGE ◆

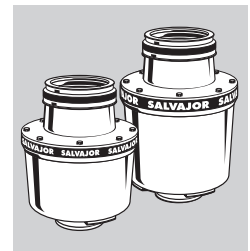
ACCESSORIES AVAILABLE

- #980104 Mounting Bracket for MSS & MSS-LD

(Specifications subject to change without notice)
Current specification details may be found online
at www.salvajor.com

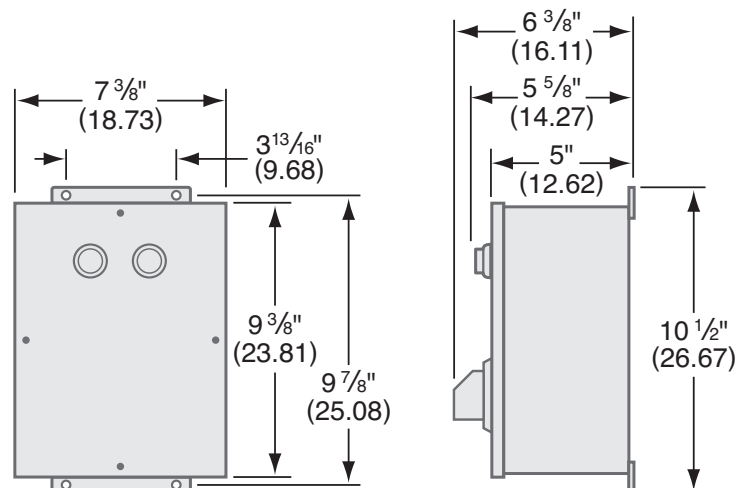
MODEL MSS & MSS-LD DISPOSER CONTROL

is for use with
Salvajor Models:
75 - 100 - 150 - 200 -
300 - 500
WEIGHT: 8 LBS.



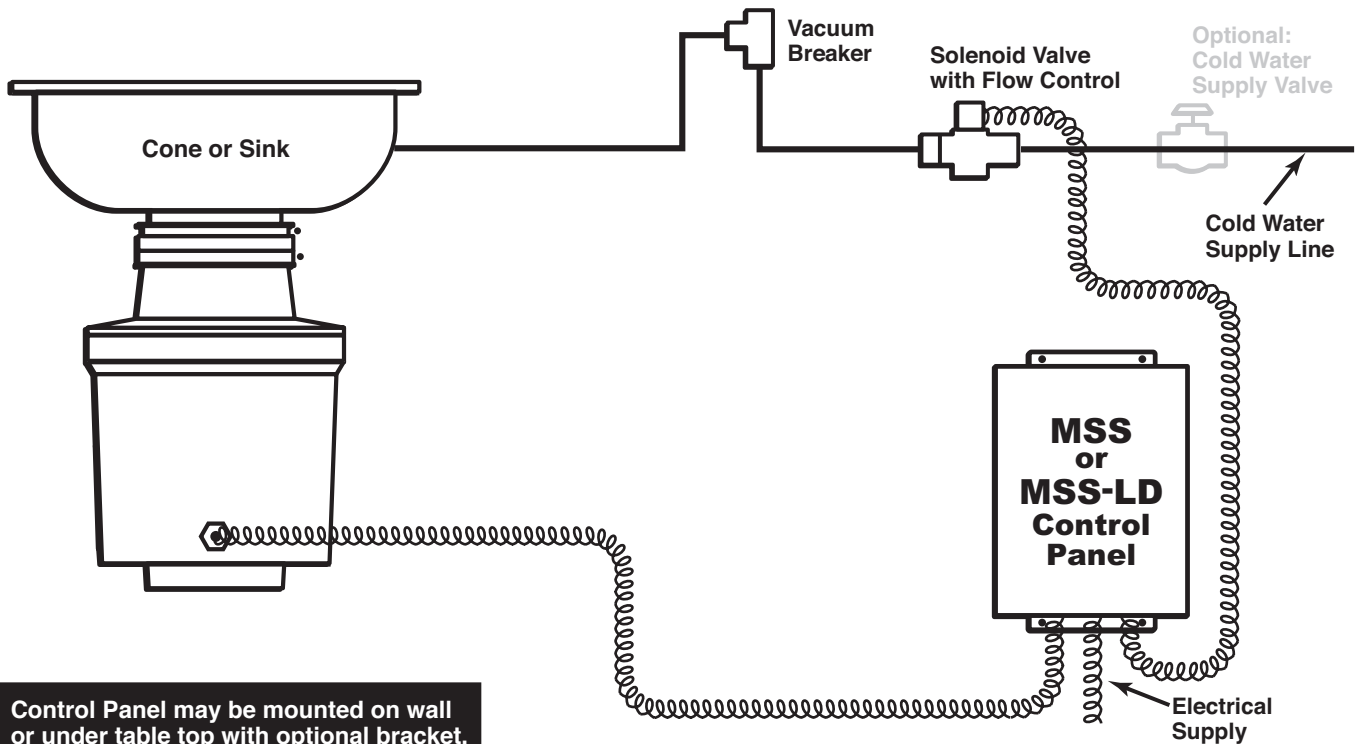
SAFETY FEATURE

The MSS & MSS-LD controls include an operator safety feature that prevents automatic starting of the disposer after a power interruption. To re-start the disposer, the operator must push the **START** button.



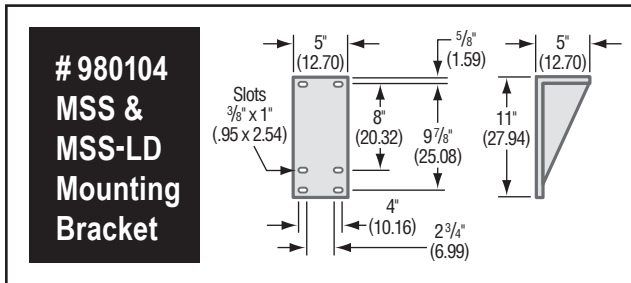
NOTE: Dimensions in parenthesis are in centimeters

Typical Installation Diagram of Salvajor Model MSS & MSS-LD Control Panel with Disposer



Control Panel may be mounted on wall or under table top with optional bracket.
Motor has overload protection.

NOTE: INSTALL PER ALL APPLICABLE CODES



NOTE: Dimensions in parenthesis are in centimeters

Item Numbers for Ordering			
CONTROL MODEL	VOLTAGE	PHASE	ITEM NO.
MSS	115	1	MSS4
	208 or 230	1	MSS5
	208 or 230	3	MSS7
	460	3	MSS9
MSS-LD	115	1	MSSLD4
	208 or 230	1	MSSLD5
	208 or 230	3	MSSLD7
	460	3	MSSLD9

◆ SPECIFY EXACT OPERATING VOLTAGE ◆



The Salvajor Company 4530 East 75th Terrace Kansas City, Missouri 64132-2081, USA

1-800-SALVAJOR

(816) 363-1030

FAX: 1-800-832-9373

www.salvajor.com

Email: sales@salvajor.com

service@salvajor.com

Manufacturers of Commercial Food Waste Disposing Systems since 1944