

Item No: _____
 Model No: _____
 Qty: _____
 Project: _____



FULLY WELDED TABLE
available



RISER BACK WORK TABLES

With 1.5" rise are available in standard sizes add suffix "R" to model number

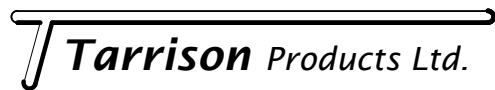
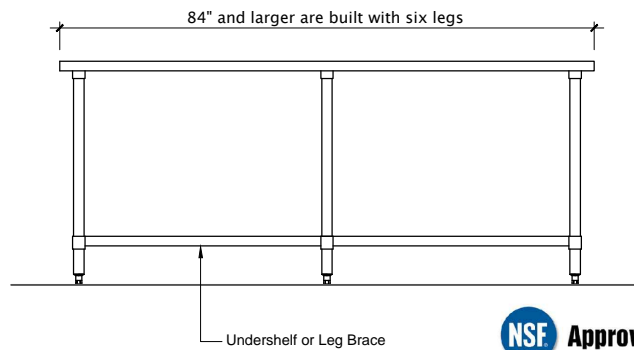
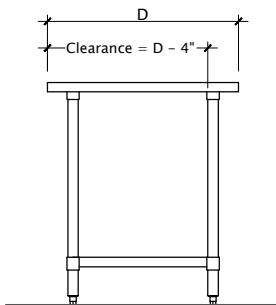
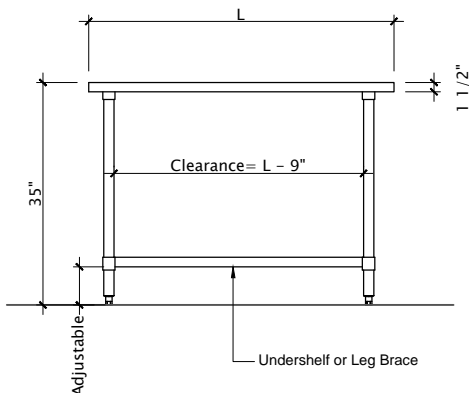
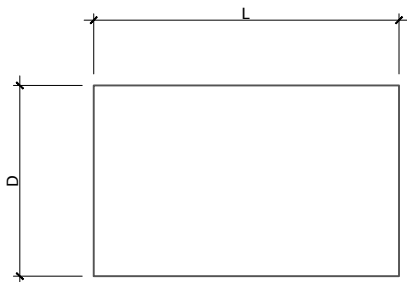
Work Tables

- Heavy duty stainless steel top
- Galvanized or stainless steel legs and undershelf
- Adjustable bullet feet
- Marine edge tables available as special order – contact your Tarrison representative

Model No. with galvanized legs & undershelf	Model No. with stainless steel legs & undershelf	Size D" x L" x H"	Weight lbs.
WT-2424	SWT-2424	24 x 24 x 35	42
WT-2430	SWT-2430	24 x 30 x 35	48
WT-2436	SWT-2436	24 x 36 x 35	55
WT-2448	SWT-2448	24 x 48 x 35	65
WT-2460	SWT-2460	24 x 60 x 35	80
WT-2472	SWT-2472	24 x 72 x 35	90
WT-2484	SWT-2484	24 x 84 x 35	100
WT-2496	SWT-2496	24 x 96 x 35	105
WT-3018	SWT-3018	30 x 18 x 35	30
WT-3030	SWT-3030	30 x 30 x 35	50
WT-3036	SWT-3036	30 x 36 x 35	57
WT-3048	SWT-3048	30 x 48 x 35	69
WT-3060	SWT-3060	30 x 60 x 35	83
WT-3072	SWT-3072	30 x 72 x 35	95
WT-3084	SWT-3084	30 x 84 x 35	105
WT-3096	SWT-3096	30 x 96 x 35	110
WT-3636	SWT-3636	36 x 36 x 35	65
WT-3648	SWT-3648	36 x 48 x 35	80
WT-3660	SWT-3660	36 x 60 x 35	95
WT-3672	SWT-3672	36 x 72 x 35	110

Also available open base model. Add suffix LB3S., see page 23

Sizes nominal, detailed specifications available upon request. Specifications subject to change without notice.



Corporate Head Office
 2780 Coventry Road,
 Oakville, Ontario, L6H 6R1
 Phone: 905-825-9665
 Fax: 905-825-0965
 info@tarrison.com
 www.tarrison.com

US Distribution Center
 150 Gratiot Blvd,
 Marysville, MI 48040
 www.tarrison.com

US Sales Office
 29 Craftsbury Crest,
 Essex Junction, VT. 05452
 Phone: 802-872-9292
 info@tarrison.com
 www.tarrison.com