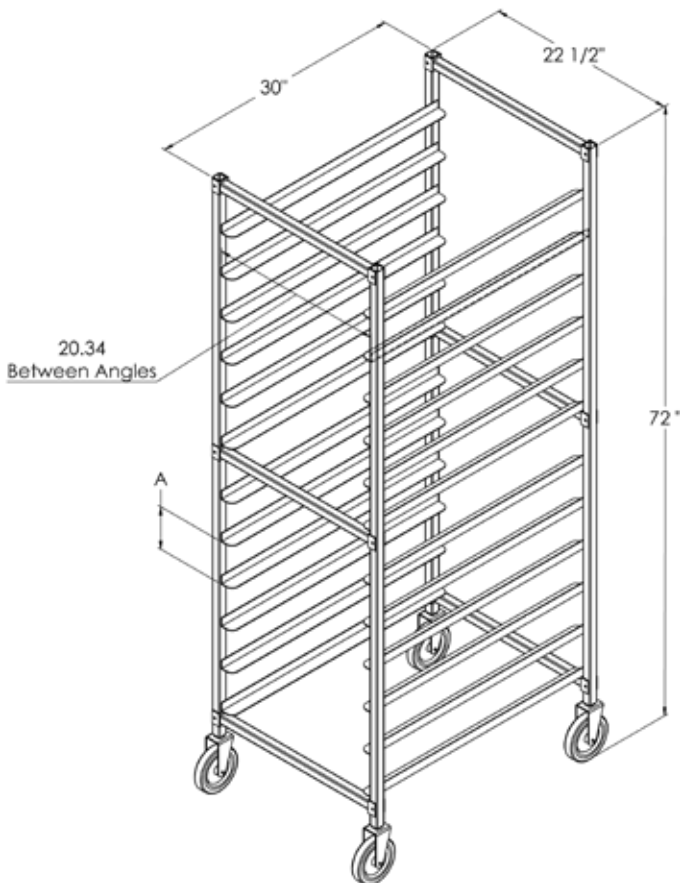


- **1" H x 1½" W Aluminum Slides**
Welded to Frame
- **Holds**
Two (2) 15" x 20" Serving Trays Per Slide
- **All Aluminum – Will Not Rust**
- **5" Swivel Stem Casters (CV)**
- **All Aluminum – Will Not Rust**
- **"KD" Knock Down Rack**
Ships LTL in One Box
Assembles with 12 Fasteners
- **"W" All Welded Rack**
Reinforced Gusset Corners
Ships LTL
- **Optional**
Locking Casters (CL)
Heavy-Duty Swivel Stem Casters (CHV)
Heavy-Duty Locking Stem Casters (CHL)
Pan Stop (PS)



WS5020KD-TR



15" x 20" Tray Racks			
Model Number	Description	"A" Shelf Spacing	Pan Capacity
WS5020KD-TR	Knock Down Side Load	5"	24
WS6020KD-TR	Knock Down Side Load	6"	20
WS5020W-TR	All Welded Side Load	5"	24
WS6020W-TR	All Welded Side Load	6"	20

Options: "CL", "CHV", "CHL", "PS" - see page 77 for details.