

# PIZZA PREPARATION TABLE

## Model: PA43N

Natural Refrigerant R-290 Model

### 43" Pizza Preparation Refrigerator with Solid Doors

Heavy gauge #300 series stainless steel top, stainless steel front and end panels, aluminum interior.



## Options and Accessories

(upcharge and lead times may apply)

Stainless steel interior	Pan slides
Stainless steel back	Wire rod garnish rack
Overshelves (single or double)	Vision panel lid
Additional epoxy coated steel shelves	Door locks
Stainless steel shelves	Adjustable legs
Condensing unit on left (standard on right)	Front breathing
Drawer in lieu of half door above the condensing unit*	Special electrical requirements (consult factory)

Drawers in lieu of doors\*\*

\*Drawer section above condensing unit holds (1) 12 x 20 x 6 pan

\*\*Two tier (larger section) holds (2) 12x20x6 pans per drawer

Consult factory for other model configurations, options and accessories.

**Continental**  
Refrigerator



Project Name:

Model Specified:

Location:

Item No:

Quantity:

AIA #:

SIS #:

## Standard Model Features

### REFRIGERATION SYSTEM

Performance rated refrigeration system

Natural, environmentally safe, high efficiency R-290 refrigerant<sup>1</sup>

Unique forced air design utilizes fans (approx. every 12") across the entire back of unit for even distribution of cold

Automatic, hot gas condensate evaporator

Non-corrosive, plasticized fin evaporator coil

Easily serviceable, slide out condensing unit

Expansion valve system

### CABINET ARCHITECTURE

2" non-CFC polyurethane foam insulation

Smooth, polished chrome door handles

Spring loaded, self closing doors

Magnetic snap in Santoprene™ door gaskets

Heavy duty, epoxy coated steel shelves

19" deep, full length nylon cutting board

Insulated lids (with heavy duty hinge pins)

(4) pan top divider bars\*

5" casters

\* Pans supplied by others

### MODEL FEATURES

Reversing condenser fan<sup>2</sup>

Ergonomically-friendly raised angle rail

Electronic control, off-cycle defrost

Refrigerated section with door above the condensing unit

Field rehingeable doors

<sup>1</sup> R-290 refrigerant meets all federal and state regulatory requirements.

<sup>2</sup> Fan runs in reverse for short period on startup to blow away any debris.

**NOTE:** Models come standard with a door above the condensing unit. A drawer above the condensing unit is an option.

APPROVAL:

# Model Specifications

## DIMENSIONAL DATA

Net Capacity (cubic feet)	12 (340 cu l)
Width, Overall (inches)	43 (1092 mm)
Depth, Overall (inches) (including cutting board & bumpers)	38 3/4 (972 mm)
Height, Overall (inches) (including 5" casters)	39 (989 mm)
Depth, Cutting Board (inches)	19 (483 mm)
Shelf Area (square feet)	5.6 (0.5 sq m)
Number of Shelves	1
Number of Full Doors	1
Number of Half Doors	1
Interior Depth (inches)	27 3/8 (695 mm)
Interior Height (inches)	26 (660 mm)
Interior Height (inches) (above condenser)	12 1/2 (318 mm)

## PAN TOP

Divider Bars (supplied with model)	(4) CM1-0111
Pan Capacity (pans supplied by others)	(4) 1/3 & (1) 1/2

## REFRIGERANT DATA

Condensing Unit Size (H.P.)	1/4+
Capacity (BTU per hour)*	2610

## ELECTRICAL DATA

Voltage (International)	115/60/1 (220/50/1)
Total Amps (International)	5.5 (4.7)
10 ft. Cord/Plug [attached] (International)	Yes (No)

## SHIPPING DATA

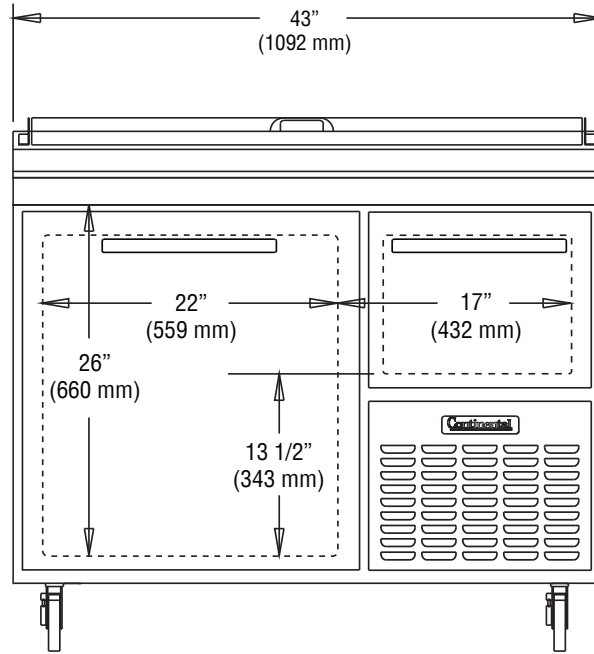
Weight (pounds)	340 (154 kg)
Height - Crated (inches)	43 3/4 (1111 mm)
Width - Crated (inches)	45 (1143 mm)
Depth - Crated (inches)	47 (1194 mm)

\* Rating @ +25°F evaporator, 90°F ambient  
 Figures in parentheses reflect metric equivalents rounded to the nearest whole unit.

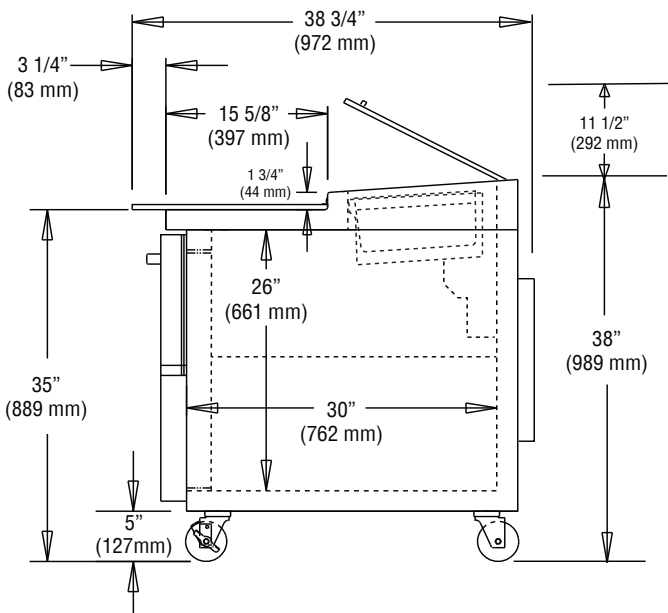


Equipped with one NEMA-5-15P Plug  
 (varies by country)

# Model Plan Views



FRONT VIEW



SIDE VIEW

**IMPORTANT NOTE:** If the cabinet is located directly against a wall, a minimum clearance of 3" is required on sides, front and rear.



Toll-Free: 800-523-7138  
 Phone: 215-244-1400  
 Fax: 215-244-9579

539 Dunksferry Road  
 Bensalem, PA 19020  
[www.continentalrefrigerator.com](http://www.continentalrefrigerator.com)

Due to our continued efforts in developing innovative products, specifications subject to change without notice.



PROUDLY  
 DESIGNED & ASSEMBLED  
 IN THE U.S.A.

Intertek

© Copyright 2021. Continental Refrigerator.  
 A Division of National Refrigeration & Air Conditioning Products, Inc.

REVISED: 1/29/24