



# Heavy Duty Reinforced Prep-Tables

Marine Edge Prep Tables w/ SS  
Legs & Undershelf



Use your smart phone to scan the above QR code to visit our website:  
[www.bk-resources.com](http://www.bk-resources.com)

## Certifications:



## Features:

- Reinforced Table Top
- Bowl Size: 16" x 20" x 10"(d)
- 4" C/C Deck Mount Faucet Installation
- Legs 1 5/8" Diameter
- 6" Riser

## Material:

- T-304 18 ga. Stainless Steel Top, Bowl, & Shelf
- Stainless Steel Legs & Adjustable Undershelf with Cast Aluminum Corners
- S/S Bullet Feet

## Options:

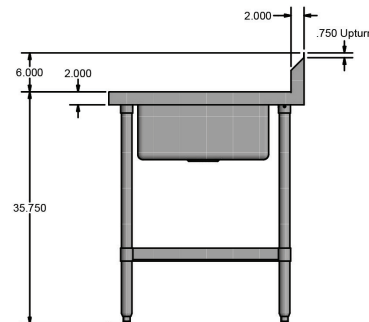
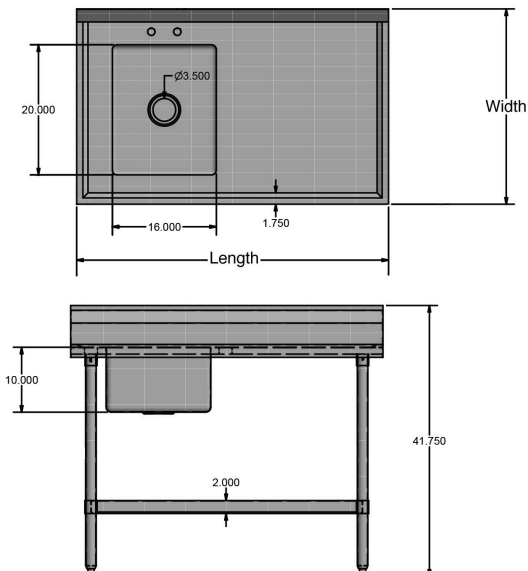
- Drawer Assemblies
- Extra Shelves
- Faucet & Lever Drains

## Warranty:

- 1 Year Warranty



Part Number	Sink	Faucet Holes	Length
BKMPT-3048S-LHD	Left	8" O.C. Deck	48"
BKMPT-3048S-RHD	Right	8" O.C. Deck	48"
BKMPT-3060S-LHD	Left	8" O.C. Deck	60"
BKMPT-3060S-RHD	Right	8" O.C. Deck	60"
BKMPT-3072S-LHD	Left	8" O.C. Deck	72"
BKMPT-3072S-RHD	Right	8" O.C. Deck	72"



PRODUCT DATA SHEET

BK RESOURCES

