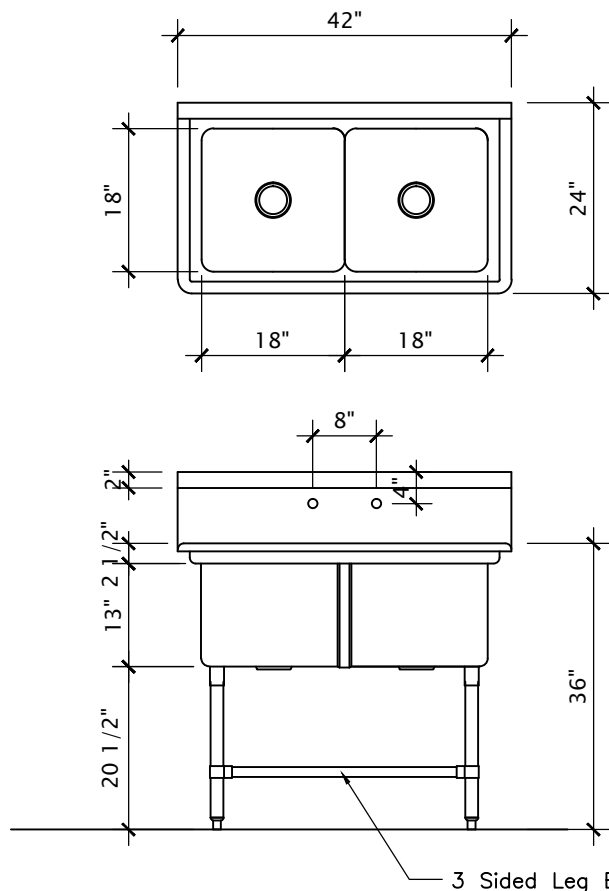


Item No: _____

Model No: _____

Qty: _____

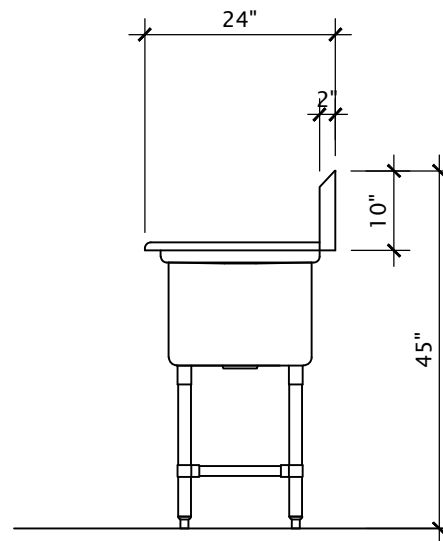
Project: _____



CENTRE Drain Sinks

- 18 gauge heavy duty stainless steel construction
- 13" Deep Bowls
- "All-Coved" corner construction
- 1.5 inch diameter radius
- Galvanized legs, 1 5/8" in diameter
- Adjustable bullet feet
- 3.5 inch diameter drain holes (drain baskets included)
- Faucet holes on 8 inch centres (faucets not included)
- Available 16 Gauge if required
- 1 1/2" Drain
- Shipped knock down
- Fully welded available if required

PS2-18



Sizes nominal, subject to change without notice.



C US
U.P. Code

ASME A112.19.3/CSA B45.4



Corporate Head Office
2780 Coventry Road,
Oakville, Ontario, L6H 6R1
Phone: 905-825-9665
Fax: 905-825-0965
info@tarrison.com
www.tarrison.com

US Distribution Center
150 Gratiot Blvd,
Marysville, MI 48040
info@tarrison.com
www.tarrison.com

US Sales Office
29 Craftsbury Crest,
Essex Junction, VT. 05452
Phone: 802-872-9292
info@tarrison.com
www.tarrison.com