



Item No.: _____
 Order No.: _____
 Qty: _____ Date: _____

Features

- Full size design
- 1-1/2" of clearance between slides
- Easily maneuverable on four swivel casters.
- Heat mode with 9 adjustable settings up to 185° F
- Proof mode adjusts humidity between 30% and 100% up to 115° F
- Integrated easy-to-read LED on removable bottom control drawer
- Door is easily convertible to open from left or right

Replacement Parts:

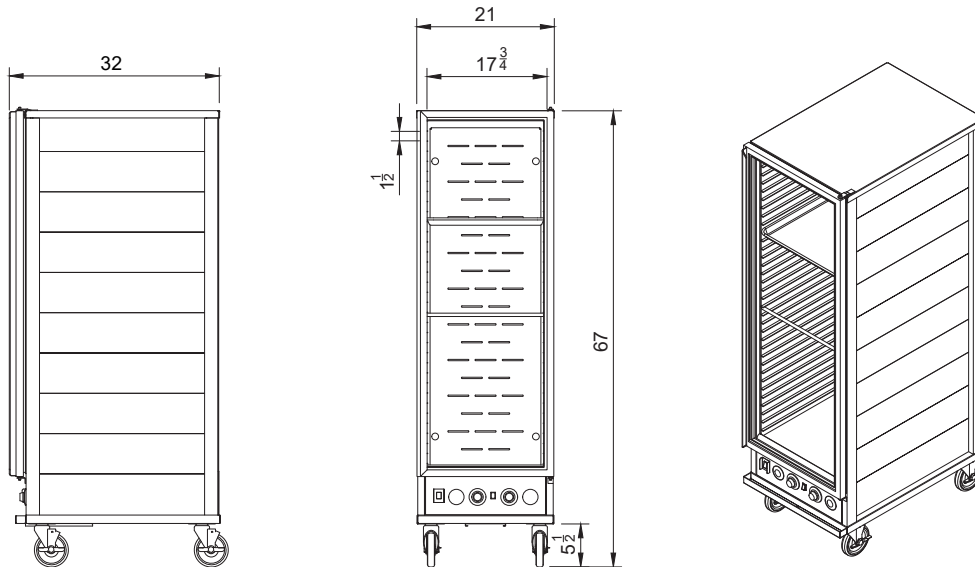
KP6112



Description **Heated Holding Mobile Cabinet**

This versatile, full height unit is great for keeping hot foods at the perfect temperature to serve at a moment's notice! With a proofing mode and adjustable humidity settings, you can also proof dough before it's ready to bake. It has an output of 1440W and requires a 120V electrical connection. In heat mode, it operates between 80 and 185 degrees Fahrenheit; in proof mode, it operates between 85 and 115 degrees Fahrenheit at 30-100% humidity.

Plan View **AAR-40E**



| Order No. | W x D x H (in) | Insulation | Pan Size (in) | Door Type | Pan Cap. | Wattage | Amps | G. W. (lb) | Pack/ case |
|-----------|----------------|---------------|---------------|-----------|----------|---------|---------|------------|------------|
| AAR-40E | 21 x 32 x 67 | Non-Insulated | 18 x 26 | Clear | 36 | 1440W | 14 Amps | 135 | 1 |
| AAR-40EI | 21 x 32 x 67 | Insulated | 18 x 26 | Clear | 36 | 1440W | 14 Amps | 142 | 1 |