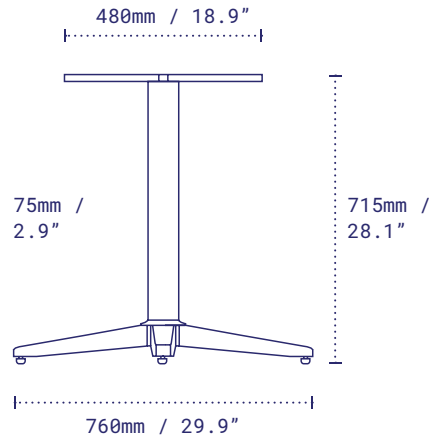


Trail 30

B30NR-STD : DINING HEIGHT





Trail 30 self-stabilising table base exemplifies modern simplicity. The linear, clean design and concealed componentry complements a robust construction for use in any setting.

Pictured: Trail 30 Dining Height, Sandstone Black.

DETAILS

 Material	Steel – Zinc Plated Legs, Zinc Phosphate Column
 Next-Level Protection	Steel – Zinc Plated Legs, Zinc Plated Column, Zinc Phosphate Top Plate
 Height	715mm / 28.1"
	
 Base diameter	762mm / 30"
 Column width	75mm / 2.9"
 Top plate	Fixed
 Net weight	9.3kg / 20.5lbs
 Max recommended table top	<input type="radio"/> 1219mm / 48" <input type="checkbox"/> 1066mm / 42"
 Resources	no-rock.com/product/trail

PACKAGING

 Carton	670 x 600 x 100mm / 25.4 x 23.6 x 3.9" x Box 1
 Gross weight	10.8kg / 23.8lbs

STANDARD COLOR RANGE

 Sandstone Black

