



Item No.: _____
 Order No.: _____
 Qty: _____ Date: _____

STAINLESS STEEL DROP-IN ICE BIN WITH WATER STATION

Features

- Durable stainless steel construction
- Perfect for storing ice conveniently close at hand
- Insulation between walls
- Removable sliding lid included
- Mounting hardware included
- Glass filler included (**AA-HS157**)
- 7" x 5-1/2" sink bowl with Ø1" opening
- 1" center NPT ice bin drain
- Requires cut-out for drop-in installation



Description

Stainless Steel Drop-In Ice Bin with Water Station

Designed for bar, concession, and kiosk applications where you need to store ice for an extended period of time, this ice bin lets you keep ice insulated until you need it. Whether you are serving ice cold sodas or perfectly chilled cocktails, an accessible supply of ice is essential. The perfect addition to your bar without the need for electricity yet keep ice fresh all day long, mount it directly into your bar and use the drain for excess melting water. The glass filler is perfect for replenishing water glasses or refilling pitchers to keep up with thirsty customers.

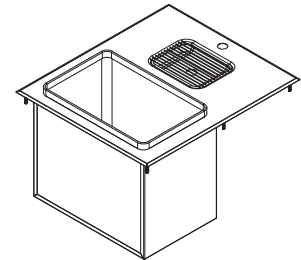
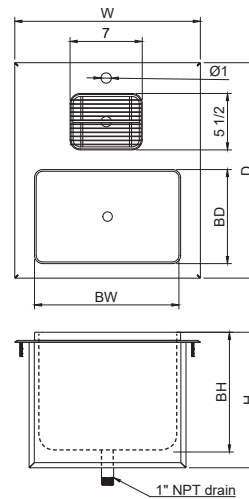
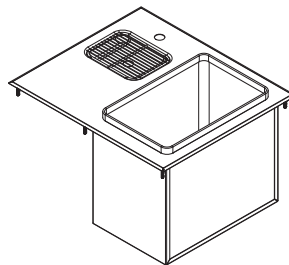
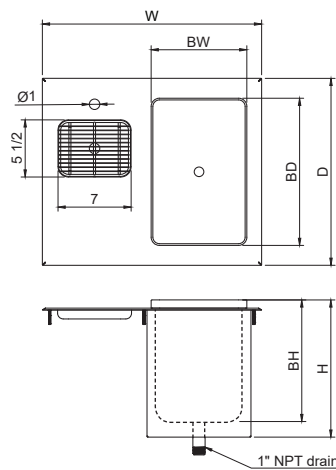
Plan View

IBWS-H

AA-HS157

IB1812-V

AA-HS157



Item No.	D x W x H (in)	BD x BW x BH	Cut out Size (in)	Station Style	Capacity (lb)	G. W. (lb.)	Qty. /Case
IBWS-H	18 x 21 x 14	14 x 9 x 11-3/4	17 x 20	Horizontal	23	25	1
IBWS-V	21 x 18 x 14	9 x 14 x 11-3/4	20 x 17	Vertical	23	25	1