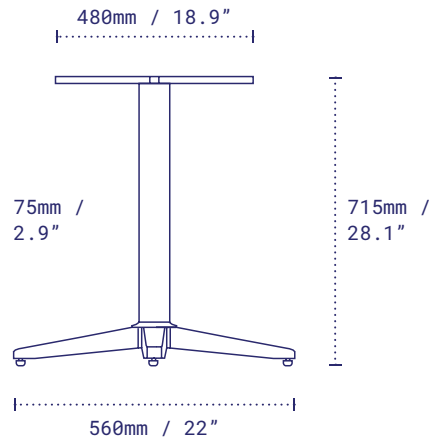


Trail 22

B22NR-STD : DINING HEIGHT




Trail 22 self-stabilising table base exemplifies modern simplicity. The linear, clean design and concealed componentry complements a robust construction for use in any setting.

Pictured: Trail 22 Dining Height, Sandstone Black.

DETAILS

 Material	Steel – Zinc Plated Legs, Zinc Phosphate Column and Top Plate
 Next-Level Protection also available	Steel – Zinc Plated Legs, Zinc Plated Column, Alodine Top Plate
 Height excl. table top	715mm / 28.1"
 Base diameter	560mm / 22"
 Column width	75mm / 2.9"
 Top plate	Fixed
 Net weight	5.7kg / 12.5lbs
 Max recommended table top	<input type="radio"/> 860mm / 34" <input type="checkbox"/> 760mm / 30"
 Resources	no-rock.com/product/trail

PACKAGING

 **Carton** 600 x 500 x 100mm / 23.6 x 19.6 x 3.9" x Box 1

 **Gross weight** 6.9kg / 15.2lbs

STANDARD COLOR RANGE

 Sandstone Black

