



Features

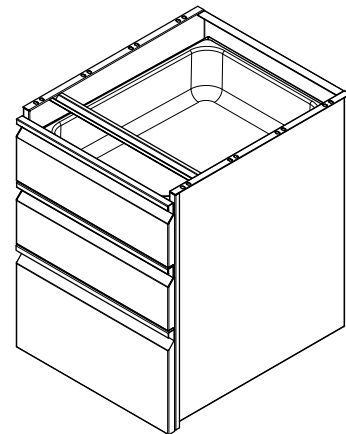
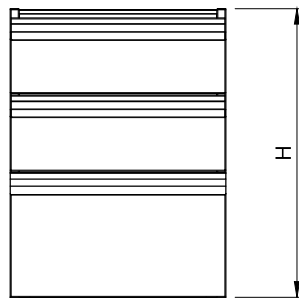
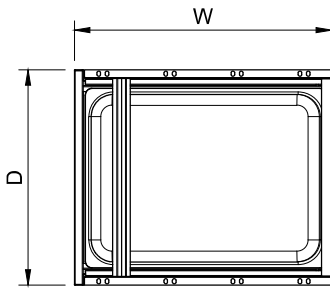
- Removable insert for easy cleanup
- Smooth operation, ball bearing slides
- Durable welded construction
- Install easily with any GSW work table
- Stainless steel pan included
- 3 Tiers Drawer set
- 200 lbs load capacity



Description Heavy Duty 3 Tiers Table Drawer

This drawer offers an incredibly convenient place to store all of your go-to tools. It's spacious, easy-to-install design combines with smooth, reliable operation to provide you with a valuable addition to your workstation without breaking the bank. It is the perfect fit for 30" wide and 36" long and up work tables.

Plan View DA-3H1520



Sit on top of work table undershelf

Order No.	D x W x H (in)	Pan Inner Space (in)	Pan Model	G. W. (lb)	Qty.
DA-3H1520	19-1/4 x 23 x 25-1/8	14-1/2 x 20 x 5		73	1
DA-3H2020	24-7/8 x 23 x 25-1/8	20 x 20 x 5		104	1