




Infrared Strip Heaters

USER MANUAL

Toggle Controls single

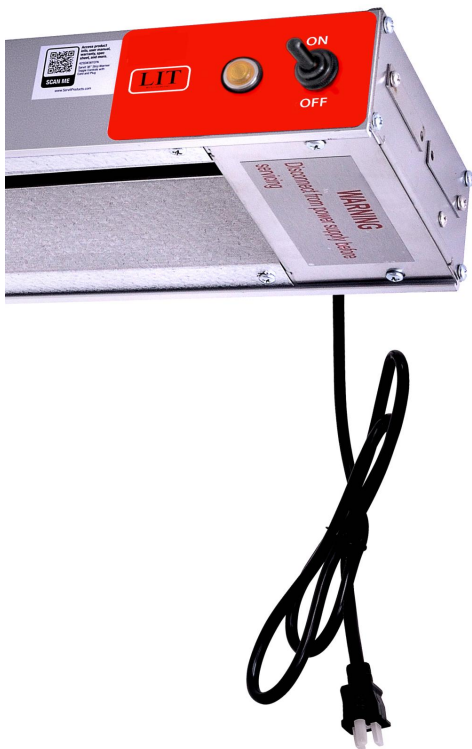


OPERATION AND SAFETY INSTRUCTION MANUAL

 This unit must be serviced by qualified personnel only.
Service by unqualified personnel may lead to electric shock or burn.



Characteristic



- ★ Attached toggle controls for simple operation
- ★ Durable metal sheathed elements produce intense heat to keep foods at peak serving temperatures without overcooking.
- ★ Heavy-duty stainless steel construction; mounting brackets included for easy installation
- ★ Perfect for use in cafeteria, restaurant, or buffet line

Toggle Controls

Toggle controls are simple to operate and provide one level of heat, so you can be sure your staff does not overheat your foods. Since the controls have only one setting, this warmer is extremely simple to use so that even new employees can get it up and running for the day.



Introduction, Requirements and Safety

Introduction

1. Please read instructions before using this appliance. This appliance is for commercial use only.
2. When using electrical appliances, basic precautions should always be followed to reduce the risk of fire, electric shock and injury.
3. Clean machine thoroughly before and after each use following the cleaning instructions provided below.

Safety Instructions

WARNING!

All power must be disconnected at power source before any service procedure is performed.

1. This appliance is hot when in use. To avoid burns, do not let bare skin touch hot surfaces. Keep combustible materials, such as drapes and other furnishings, away from appliance.
2. Extreme caution is necessary when any appliance is used by or near children and whenever the appliance is left unattended.
3. Always unplug appliance when not in use and before cleaning, adjusting or maintaining this machine. To disconnect appliance, turn switch off and remove plug from power source.
4. Do not operate any appliance with a damaged cord or plug, after the appliance malfunctions, has been dropped or damaged. Return appliance to an authorized service facility for examination, electrical or mechanical adjustment or repair.
5. Do not use outdoors. This appliance is not intended for wet or moist locations. Never locate appliance where it may fall into water.
6. Connect to properly grounded outlets only. Avoid the use of extension cords. Do not run cord under carpeting, runners or the like. Arrange cord away from traffic area and where it will not create a tripping hazard.
7. This appliance is equipped with a power cord with a three blade plug. Plug ONLY into a matching three blade outlet. DO NOT cut or break off the third blade or attempt to use with a two blade extension cord.
8. To prevent a possible fire, it is recommended that the unit is placed on a non-combustible surface.
9. This appliance has electrical parts. Do not use it in areas where gasoline, paint, or flammable liquids are used or stored.



ITEM#

Item#	Type	Voltage	Power
ATS-AEBH-24	24", Toggle switch	120V	500W
ATS-AEBH-30	30", Toggle switch	120V	650W
ATS-AEBH-36	36", Toggle switch	120V	850W
ATS-AEBH-42	42", Toggle switch	120V	1050W
ATS-AEBH-48	48", Toggle switch	120V	1200W
ATS-AEBH-54	54", Toggle switch	120V	1425W
ATS-AEBH-60	60", Toggle switch	120V	1550W
ATS-AEBH-72	72", Toggle switch	120V	1725W



Installation

Installing Chain Suspended Units

Chain suspension mounting attaches a strip heater to an overhead surface with the use of "S" hooks.

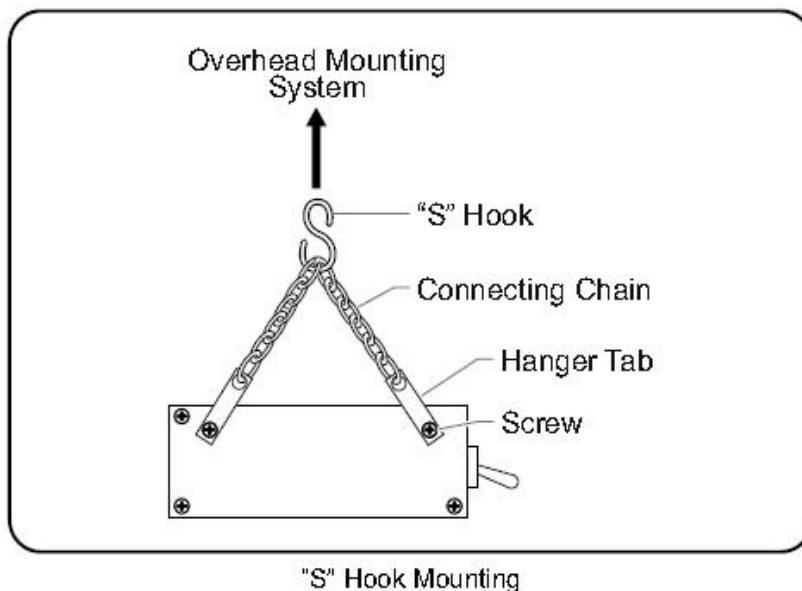
NOTE: Units ordered with the "S" hook option come with two "S" hooks and two 6" (152 mm) pieces of connecting chain. Additional chain (P/N 05.03.020.00) can be ordered from Hatco for the overhead mounting system or another option can be determined by a qualified installer.

For installation with chains, make sure the chains have sufficient strength and are securely fastened to both the unit and the mounting location. Poorly installed chains may cause the unit to loosen and fall. Do not place anything on top of units installed with chains.

To ensure safe and proper operation, refer to the Clearance Requirements listed in the Installation section of this manual.

NOTE: The strength of the chain supplied is sufficient to hold the weight of the unit securely only when mounted properly.

1. Prepare the overhead mounting system for the "S" hooks. make sure the system is secure and is set up so the unit will be suspended at a level, safe, and proper distance from walls, counter, and food.
2. Loosen, but do not remove the screws securing the hanger tabs on each end of the unit. Rotate the tabs up, then tighten the screws securely.
3. Securely attach one of the 6" (152 mm) connecting chains between each pair of hanger tabs.
4. attach an "S" hook to the center of each connecting chain.
5. Carefully lift the unit and attach the "S" hooks on each end of the unit to the overhead mounting system. make sure the unit is level.

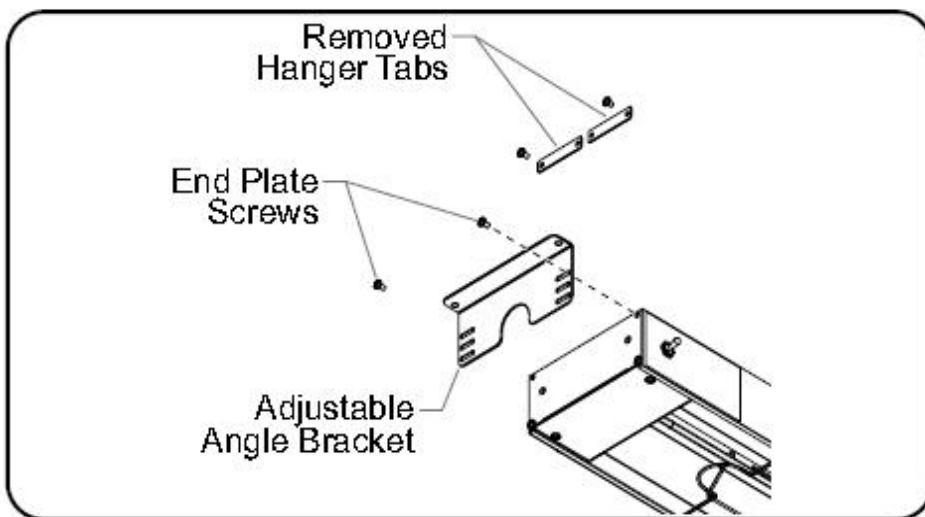




Adjustable Angle Bracket Mounting on Aluminum Models

Use the following procedure to install adjustable brackets on each end of aluminum housing models

1. Position the unit on a flat surface with the heating element facing down.
2. Remove the two hanger tab screws and hanger tabs. These items will not be needed.
3. Remove the two upper end plate screws.
4. align the adjustable angle bracket with the end plate mounting holes on the unit. Secure the angle bracket with the previously removed end plate screws.



5. Fasten the angle brackets to the underside of the shelf using appropriate fasteners

Operation

1. Plug cord into grounded electrical outlet of the correct voltage. Electrical shock can occur if appliance is not grounded.
2. Flip the switch to the 'On' position.
3. Place food products directly under the elements for best results.
4. Turn unit off when not in use.
5. To disconnect appliance, turn switches off and remove plug from power source.



Maintenance

The Infrared Strip Heaters are designed for maximum durability and performance with minimum maintenance.

WARNING

ELECTRIC SHOCK HAZARD:

- Turn OFF power switch, unplug power cord/turn off power at circuit breaker, and allow unit to cool before performing any cleaning, adjustments, or maintenance.
- DO NOT submerge or saturate with water. Unit is not waterproof. Do not operate if unit has been submerged or saturated with water.
- Do not steam clean or use excessive water on unit.
- This unit is not “jet-proof” construction. Do not use jetclean spray to clean this unit.

WARNING

Use only light bulbs that meet or exceed National Sanitation Foundation (NSF) standards and are specifically designed for food holding areas. Breakage of light bulbs not specially coated could result in personal injury and/or food contamination.

The display light is an incandescent or optional halogen bulb that illuminates the warming area. These bulbs have a special coating to guard against injury and food contamination in the event of breakage.

To replace a display light bulb:

1. Disconnect the power supply and wait until the unit has cooled.
2. Unscrew the light bulb from the unit and replace it with a new, specially-coated incandescent or optional halogen bulb.

NOTICE

Use non-abrasive cleaners and cloths only. Abrasive cleaners and cloths could scratch the finish of the unit, marring its appearance and making it susceptible to soil accumulation.

IMPORTANT—DO NOT use paper towel or glass cleaner to clean plastic surfaces. Paper towel and glass cleaner may scratch the material. Wipe off plastic surfaces using a soft, clean, water-dampened cloth.

Cleaning

To preserve the finish of the strip heater, it is recommended that all surfaces be cleaned daily.

1. Turn off the unit and allow the unit to cool.
2. Wipe down all metal surfaces with a water-dampened, nonabrasive cloth. Stubborn stains may be removed with a good stainless steel or non-abrasive cleaner. Clean hard to reach areas using a small brush and mild soap.
3. Wipe dry the entire unit using a non-abrasive, dry cloth.
4. If equipped, clean the plastic sneeze guards using soft cleaning cloths, mild soap, and water. NOTICE: Do not use paper towel or glass cleaner on plastic surfaces—scratching may occur.



Troubleshooting Guide

Symptom	Probable Cause	Corrective Action
Unit is turned "On" but there is no heat.	No power to unit.	Check circuit breaker and reset as necessary.
	Switch is defective.	Contact authorized Service agent
	Wiring is open.	Contact authorized Service agent
	Heating element defective	Contact authorized Service agent
Heat is inadequate.	Unit mounted too high above target area.	Lower unit, putting effective heat closer to target.
	Excessive air movement around strip heater target area.	Restrict or redirect air movement (air conditioning duct or exhaust fan) away from unit.
	Incorrect power supply (low).	Check power supply to unit, making sure it matches rating on the unit. If power supply is incorrect, change to match rating on unit
Heat is excessive.	Unit mounted too close to target area.	Check to see that installation is within specifications for type/model. Increase mounting height if too close.
	Voltage supply too high	Check power supply to unit, making sure it matches rating on unit. If power supply is incorrect, change to match rating.
Control switches burn out.	Unit mounted improperly.	move the unit the proper distance away from walls, counters, and/or pass-through shelves. Refer to the installation section for guidelines.
	Remote control enclosure is mounted too close to the heat zone.	move remote control enclosure away from the heat zone
	Switches used are not proper	Contact authorized Service agent