



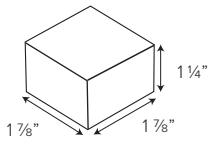
Product Specifications

15" Craft Clear Ice Machine

- Offer your guests an industry exclusive extra-large slow melting crystal clear cube to compliment whiskeys and cocktails
- High production rate of 160 cubes per day
- Holds 25 lbs of ice
- Industry leading BrightShield® antimicrobial lighting creates a clean environment for ice



BrightShield protects against viruses, bacteria, mold, & mildew.



VCCC115-SS81A

Model	Description	Voltage/Hz	Shipping Weight
VCCC115-SS81A	Craft Clear Ice Machine 15" Reversible Hinge Stainless Solid	115v / 60hz	125 lb

Specifications

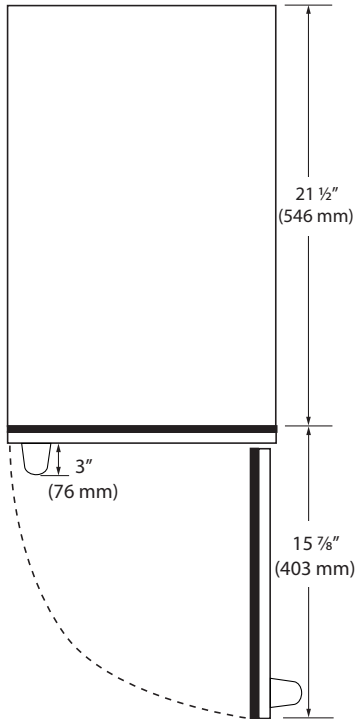
VCCC115-SS81A Dimensions: 33 3/4" to 34 3/4" H x 14 15/16" W x 23 5/8" D
Designed for built-in or freestanding applications
Easy clean process only lasts 45 minutes
Environmentally friendly R600a refrigerant (1.976 oz)
Factory installed drain pump
High efficiency variable speed compressor with 1.7 running amps
Indicator alert notifies when cleaning is needed
Makes square cubes 1 7/8" x 1 7/8" x 1 1/4"
Stainless steel cabinet, grille, and full-wrap door
Silent setting temporarily suspends ice making for 3 hrs

Accessories	Description	Shipping Weight
ULAWATERHOOKUP	Braided Water Supply Line Kit	2 lb
80-55667-00	Clear Ice Machine Cleaner (Single 4 oz. Bottle)	1 lb

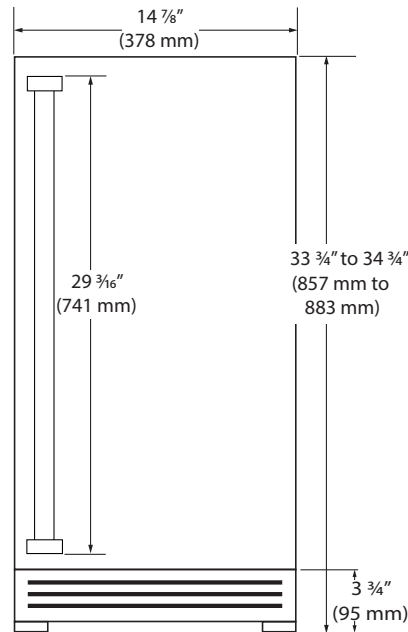


Product Specifications • 15" Craft Clear Ice Machine

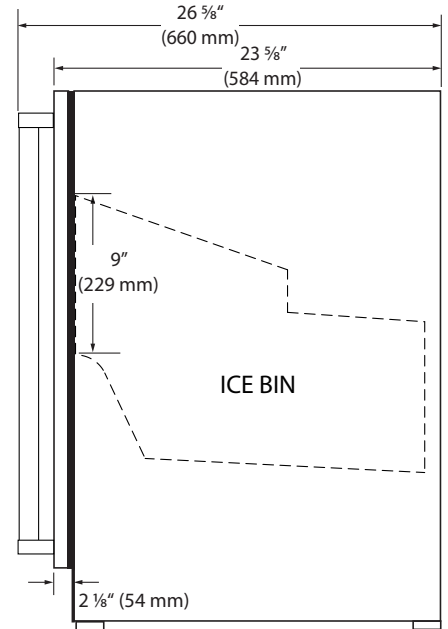
Top



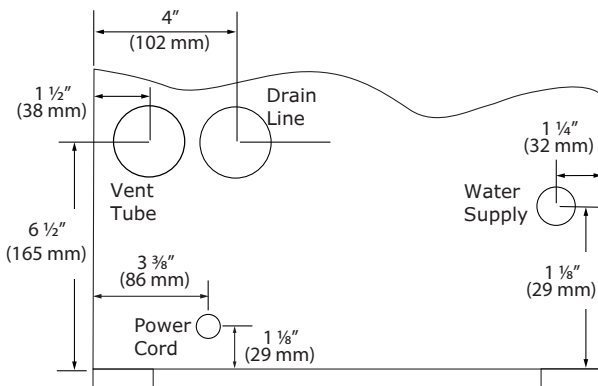
Front



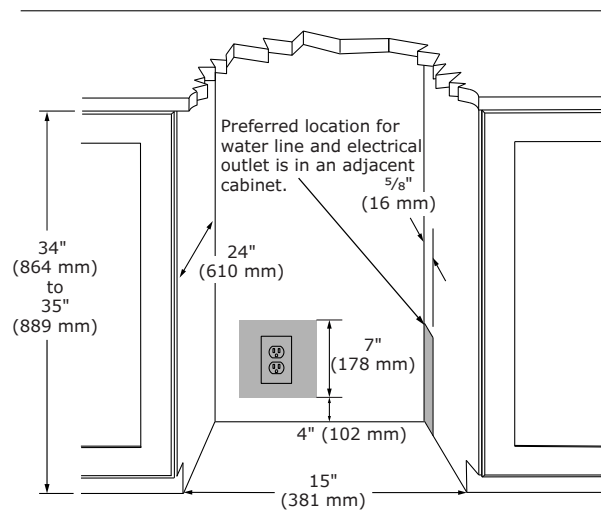
Side



Back



Cabinet Cut-Out



Commercial Warranty | **Installation Notes**

1 Year (parts & labor) / 5 year sealed system (parts)
See complete warranty for details

- No additional clearance is needed for ventilation
- Do not obstruct front grille air flow