



Horizon Elite™

self-contained 710 series Chewblet® ice machine

Features

High performance Horizon Elite ice machines

- automatically transport ice through a tube with RIDE® technology from up to 75' (22.9 m) away
- consumer-preferred Chewblet ice is preferred 2:1 over cube ice
- ice dispenses reliably from ice and beverage dispensers
- quiet production without noisy harvest cycles

Revolutionary, scale inhibiting design

- produces ice that has 15% the TDS of the incoming water for optimum dispensing and long life in drinks
- quarantines and regularly expels scale producing dissolved solids to dramatically reduce scale buildup
- increases time between descaling and reduces or eliminates the need for expensive scale treatment
- uses 35% less water than comparable cubers
- D710A ENERGY STAR® certified

Durable, attractive ice machine

- regular bearing inspection or replacement is not required
- upgraded, easy-to-read LED operating status and diagnostic display

Designed with sanitation in mind

- Agion® silver-based antimicrobial product protection of key ice and water contact components¹
- floatless, sealed design inhibits formation of biofilms
- semi-automatic cleaning and sanitizing system

Remote monitoring with Open Kitchen™

- provided in partnership with Powerhouse Dynamics (separate subscription required)
- real-time alerts and notifications
- remote diagnostics to maximize equipment uptime
- connects with equipment across other Middleby brands

Warranty

- 3 years parts and labor, 5 years compressor parts²

Certifications



E models only

Model configurations			
Production capacity	Condenser	V/Hz/Ph	Item number
up to 759 lb (345 kg)	air-cooled	115/60/1	D710A
up to 759 lb (345 kg)	air-cooled	230/50/1 ¹	E710A

¹ Model not for use in the United States.

Installation kits (required)	
Description	Item number
Installation kit for filling ice storage bins	01564590
Installation kit for filling countertop ice and beverage dispensers	01564582
Installation kit for filling Vision™ dispensers	01564632
Installation kit for filling drop-in dispensers	01564640
Installation kit for Ice Manager™ not required. Needed components are ordered and ship with Ice Manager, see form# 1050.	N/A
Ventilation kit required for D710A and E710A ice machines installed under a counter (includes grilles and gasket)	01564624

Ice transport tube kits for RIDE installations (required), not needed for top mount applications	
Description	Item number
For bins, countertop ice and beverage dispensers and drop-in dispensers	
RIDE installations, 10' (3 m)	01560549
RIDE installations, 35' (10.7 m)	01560556
RIDE installations, 80' (24.4 m)	01560564
For Vision dispensers	
RIDE installations, 10' (3 m)	01564657
RIDE installations, 35' (10.7 m)	01564665
RIDE installations, 80' (24.4 m)	01564673

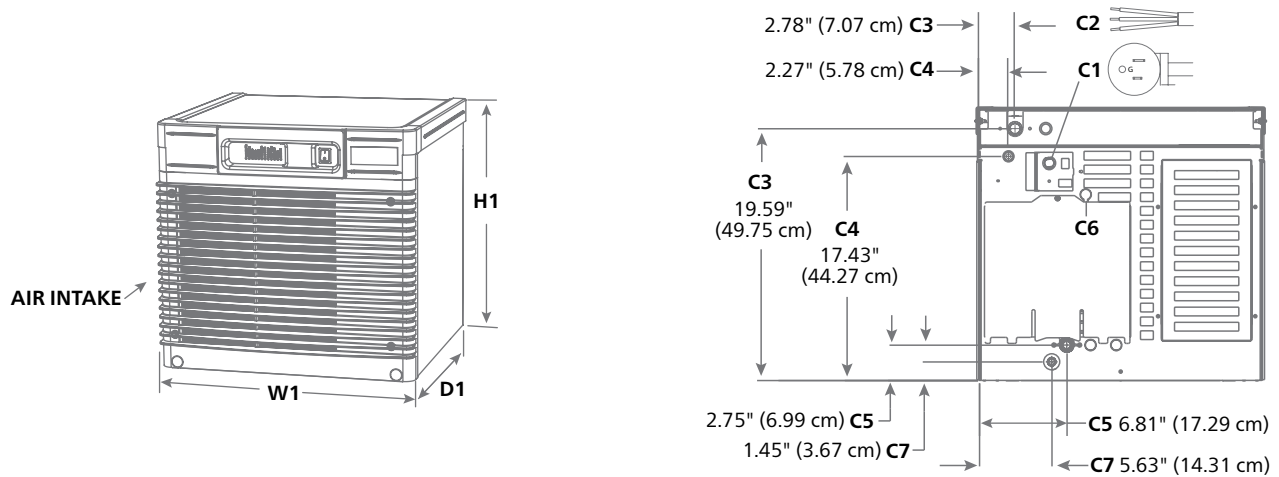
Options and accessories

- Top kit for ice and beverage dispensers (page 4)
- Water filters (refer to form# 1058)
- Wall mount bracket (item# 00997098)
- Ice machine stand, height-adjustable (item# 00997080)
- Timer to control one or two ice machines (item# 00967265)
- Sleep cycle kit for countertop dispenser applications for improved energy efficiency and component life (item# 01338276)
- SafeCLEAN Plus™ ice machine cleaner
 - 1 x 8 oz (237 ml) bottle (item# 01147826)
 - 6 x 8 oz (237 ml) bottles (item# 01149954)
 - 24 x 8 oz (237 ml) bottles (item# 01149962)
- SaniSponge™, 24 sanitary sponges (item# 01075431)
- Three year remote monitoring subscription and hardware for Open Kitchen (item# MDD-1003).
NOTE: For serial# Q34181 and above.
- For additional accessories, refer to form# 4025

¹ Disclaimer: Antimicrobial protection is limited to the treated components and does not treat water or ice.

² Refer to form# 4025 for additional warranty information.

Dimensional drawing



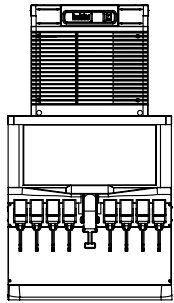
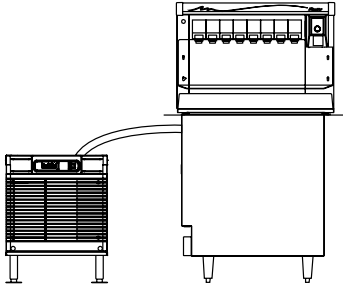
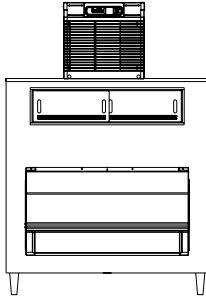
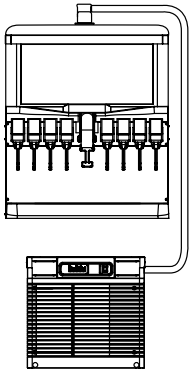
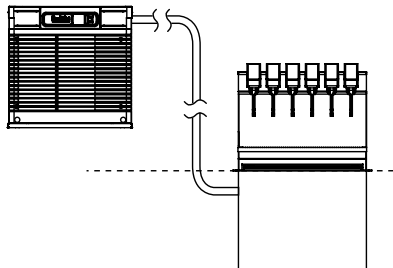
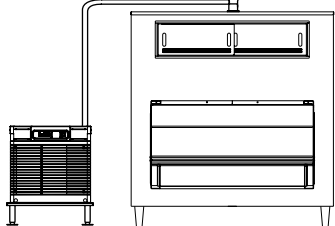
Specification

W1 Width	22.70" (57.7 cm) Fits on 22.00" wide dispensers
D1 Depth	24.50" (62.2 cm)
H1 Height	21.25" (54.0 cm)
Clearance	top, left and right – 1.00" (2.54 cm)
C1 Electrical 115 V/60/1 – D710A	11.3 amps, requires dedicated 15 amp circuit, 6' (1.8 m) cord, NEMA 5-15 plug
C2 Electrical 230 V/50/1 – E710A	6.0 amps, requires dedicated 15 amp circuit, 6.5' (2 m) cord only
Operating power	0.7 kW
C3 Ice transport tube	see page 8 for details
C4 Water inlet	3/8" OD push-in water inlet
C5 Drain	3/4" MPT, 1" drain required. See page 7 for details.
C6 Ice bin signal cord	for Vision applications only
C7 Auxiliary drain (required)	3/8" OD push-in
Air temperature	50 - 100 F (10 - 38 C)
Water temperature	45 - 90 F (7 - 32 C)
Potable water pressure	10 - 70 psi (69 - 483 kPa)
Ice production	see ice production chart on page 8
Energy consumption 90 F (32 C) air, 70 F (21 C) water	4.78 kWh per 100 lb (45.4 kg) ice
Heat rejection	8,500 BTU/hr (2,143 Kcal/hr)
Water consumption	12.0 gal (45 L) of potable water per 100 lb (45.4 kg) of ice (per AHRI test standards). 12.4 gal (46.9 L) at low TDS flush setting.
Refrigerant	D710A: R404A E710A: R449A
Approximate ship weight	190 lb (86 kg)
Approximate net weight	152 lb (69 kg)
NOTE: For indoor use only	

SHORT FORM SPECIFICATION: Follett® Horizon Elite ice machine model _____ capable of producing compressed nugget ice using an efficient, sanitary horizontal evaporator/auger system and delivering ice by a flexible wire reinforced transport tube to ____ ice storage bin, ____ ice and water dispenser, ____ countertop ice and beverage dispenser, ____ Vision dispenser, ____ drop-in dispenser or ____ Ice Manager diverter valve system. Slide-out compressor/condenser/evaporator with utility docking station, front-mounted unit status display, evaporator water inlet at harvest end with automatic flush while producing ice, and semi-automatic cleaning and sanitizing system.

1 – Locating the ice machine

Horizon Elite self-contained Chewblet ice machines allow top-mounting or mounting in a base cabinet, on a wall or on a floor stand up to 75' (22.9 m) from the dispenser or ice bin with RIDE technology. In-cabinet mounting (RIDE applications) require special attention to service access, unit ventilation and ice tube runs (see pages 4-8).

<p>Top mounting – ice and beverage dispensers (by others)</p>	<p>RIDE model – Follett low-profile Vision ice and beverage dispensers</p>	<p>Top mount on Follett ice storage bins</p>
		
<p>Important specifier notes</p> <ol style="list-style-type: none"> 1. Dispenser must be compatible with nugget ice. See page 4 for compatible ice and beverage dispenser models and top kit numbers. 2. Verify ceiling or soffit height to ensure sufficient top clearance. 	<p>Important specifier notes</p> <ol style="list-style-type: none"> 1. See pages 4-6 for critical clearance and venting requirements. 2. Ice transport tube ships with Vision ice and beverage dispenser (Vision applications only). 	<p>Important specifier notes</p> <ol style="list-style-type: none"> 1. See form# 8590 for bin sizing. Not for use with Ice•Device™ or Ice Pro™. 2. Verify ceiling or soffit height to ensure top clearance. 3. Locate floor sink or grate and drains in front of storage bin.
<p>RIDE model – ice and beverage dispensers (by others)</p>	<p>RIDE model – drop-in beverage dispensers (by others)</p>	<p>RIDE model – Follett ice storage bins</p>
		
<p>Important specifier notes</p> <ol style="list-style-type: none"> 1. Dispenser must be compatible with nugget ice. Compatible dispensers include Servend MD150/175/200/250, SV175/200/250, MDH-402, and Follett Symphony Plus™ 110CM as well as the dispensers listed on page 4. 2. Coca-Cola Freestyle 7100 requires top adapter IC Code 46751 and ice kit IC Code 46430 and must be ordered from Coca-Cola. Coca-Cola Freestyle 9100 requires top kit HSF26SC. Consult with Coca-Cola and Follett to qualify application prior to ordering. 3. RIDE application is approved only for Pepsi Spire 3.0, 5.0 and 4.1 designed for top mount ice machines and requires MSP24SC for 3.0 and MSP30SC for 5.0 and 4.1, ordered separately. For manual fill versions of Pepsi Spire 3.0, 5.0 and 4.1, contact factory. 4. See pages 4-6 for critical clearance and venting requirements. 	<p>Important specifier notes</p> <ol style="list-style-type: none"> 1. Compatible with the following dispensers: Cornelius 1522, 1722, 2323 and Lancer 2200, 2300, 23300. 2. Requires 12.00" (30.5 cm) of access space for installation on transport tube side. 3. See page 5-6 for critical clearance requirements. 	<p>Important specifier notes</p> <ol style="list-style-type: none"> 1. See form# 8590 for bin sizing. Not for use with Ice•Device or Ice Pro. 2. Locate floor sink or grate and drains in front of storage bin.

1 – Locating the ice machine (continued)

Top mounting – compatible ice and beverage dispensers ¹					
Manufacturer	Model number	Width in (cm)	Depth ² in (cm)	Height ³ in (cm)	Top kit
Coca-Cola dispensers	Freestyle 7000	30.10 (76.5)	33.11 (79.0)	47.00 (119.4)	H22F30-F ⁴
	Freestyle 7100	30.00 (76.2)	33.80 (85.8)	47.00 (119.4)	H22F30-F ^{4,5}
	Freestyle 9000	25.50 (64.8)	35.50 (90.2)	73.75 (187.3)	H22F24-F ^{4,6}
	Freestyle 9100	25.50 (64.8)	39.25 (99.7)	77.25 (196.2)	H22F26-F ⁴
Cornelius dispensers	DB/ED/DF 150 series	22.00 (55.9)	30.75 (78.1)	35.63 (90.5)	H22C22-F
	DB/ED/DF 175 series	24.50 (62.2)	30.00 (76.2)	35.63 (90.5)	H22C24-F
	DB/ED/DF 200 series	30.00 (76.2)	30.95 (78.6)	35.63 (90.5)	H22C30-F or H22C30-X ⁷
	DB/ED/DF 250 series	30.00 (76.2)	30.95 (78.6)	39.63 (100.7)	H22C30-F or H22C30-X ⁷
	DB/ED/DF 300 series	44.38 (112.7)	30.00 (76.2)	39.63 (100.7)	H22C44-F or B ⁸
	FlavorFusion / Overload	30.00 (76.2)	33.13 (84.2)	41.00 (104.1)	H22C30-F-FF
	IDC215	30.00 (76.2)	33.13 (84.2)	36.69 (93.2)	H22C30-F-IDC
	IDC255 and Pro Fast Gate	30.00 (76.2)	33.13 (84.2)	39.75 (101.0)	H22C30-F-IDC
	IDC Pro	30.00 (76.2)	33.13 (84.2)	40.25 (102.2)	H22C30-X-PRO ⁸
Lancer dispensers	4500-22N	22.00 (55.9)	30.50 (77.5)	36.66 (93.1)	H22L22-F
	4500-30N	30.00 (76.2)	30.50 (77.5)	36.66 (93.1)	H22L30-F
	FS-22N	22.00 (55.9)	30.50 (77.5)	41.28 (104.8)	H22L22-F
	FS-30N	30.00 (76.2)	30.50 (77.5)	41.28 (104.8)	H22L30-F
	Bevariety	30.00 (76.2)	31.00 (78.7)	37.75 (95.9)	H22L30-F-STP
	Sensation 30"	30.00 (76.2)	31.00 (78.7)	38.25 (97.2)	H22L30-F-STP
	Sensation 44"	44.00 (111.8)	31.00 (78.7)	39.38 (100.0)	H22L44-F-STP
	Touchpoint	32.50 (82.6)	33.70 (85.6)	40.00 (101.6)	H22L30-F-STP
Pepsi dispensers	Spire 3.0	27.00 (68.6)	35.00 (88.9)	38.12 (96.8)	H22P24-F
	Spire 5.0 / 4.1	30.50 (77.5)	36.00 (91.4)	42.75 (108.6)	H22P30-F
Servend dispensers	SV200	30.00 (76.2)	33.13 (84.2)	37.63 (95.6)	H22S30-F
	MDH-302	42.75 (108.6)	30.50 (77.5)	35.16 (89.3)	H22S44-F or B ⁹

¹ All approved dispensers can be filled with a RIDE model Horizon Elite ice machine without a top kit except Pepsi Spire 3.0, 5.0 and 4.1, see page 3 for details.

² Requires minimum 1.00" (2.54 cm) clearance between back of dispenser and wall.

³ Net height after installation of top kit (excluding height of ice machine).

⁴ Consult with Coca-Cola and Follett to qualify application prior to ordering.

⁵ Top adapter IC Code 46753 and ice kit IC Code 46430 must also be ordered from Coca-Cola.

⁶ Adapter must also be ordered from Coca-Cola. IC Code: 46010 (Silver), 46011 (Red) or 46012 (Black).

⁷ Top designed with flexibility to accommodate front or back mounting.

⁸ Top designed with flexibility to accommodate front or back mounting.

⁹ Specify "F" for front facing, or "B" for backward facing units.

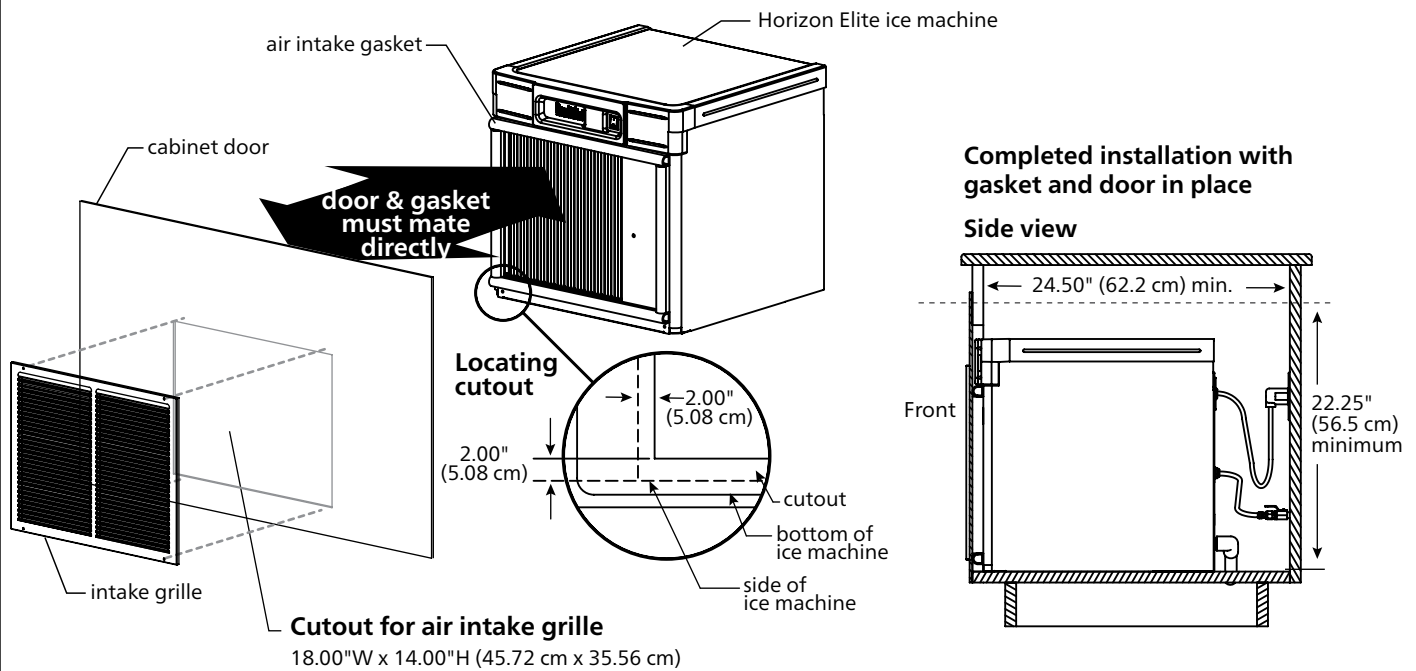
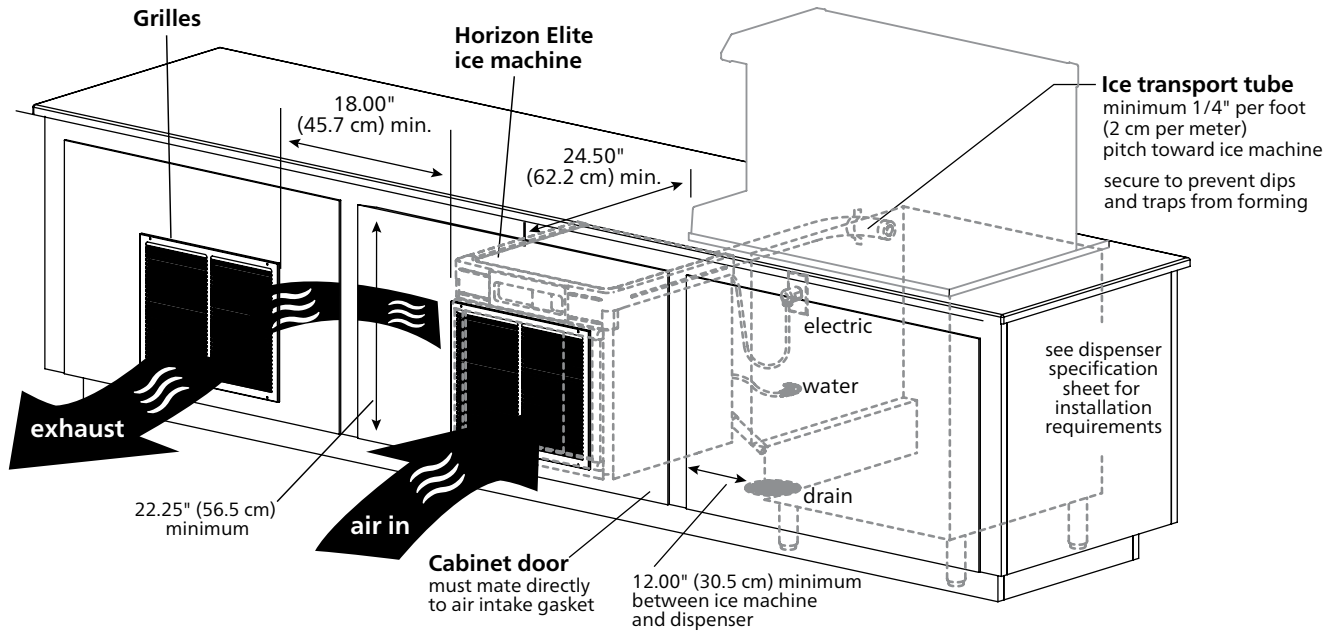
2 – Undercounter/in-cabinet mounting

Cabinet details	
<p>Important specifier notes</p> <ol style="list-style-type: none"> 1. Cabinet door opening must meet minimum size requirements shown and be free of obstructions to allow ice machine to slide out (no lip or utilities to block removal). 2. Cabinet base must be capable of supporting ice machine and allow ice machine to rest flat on cabinet bottom. 3. No counter supports, electric or plumbing can run in front of the ice machine. 	

3 – Undercounter/in-cabinet mounting and ventilation

Using Follett ventilation kit, item# 01564624

Horizon Elite ice machines can be installed undercounter/in-cabinet to fill bins or dispensers using RIDE technology. Care must be taken to ensure proper cabinet venting to avoid recirculation of hot air. Improper venting can cause ice machine outages.



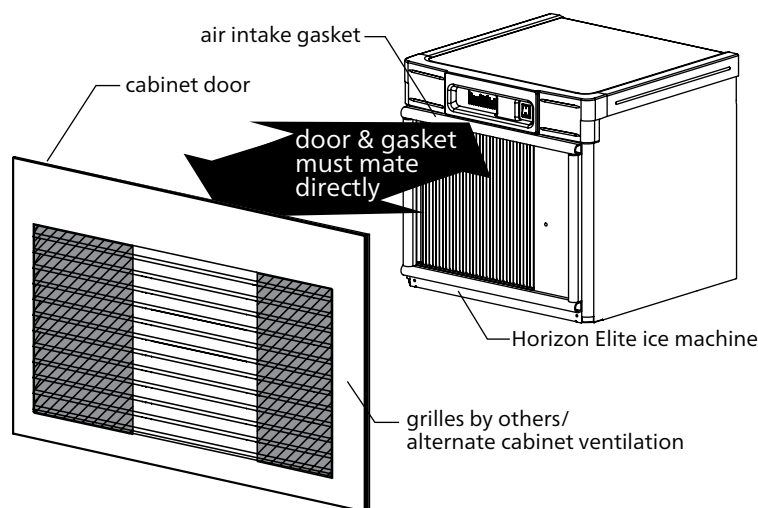
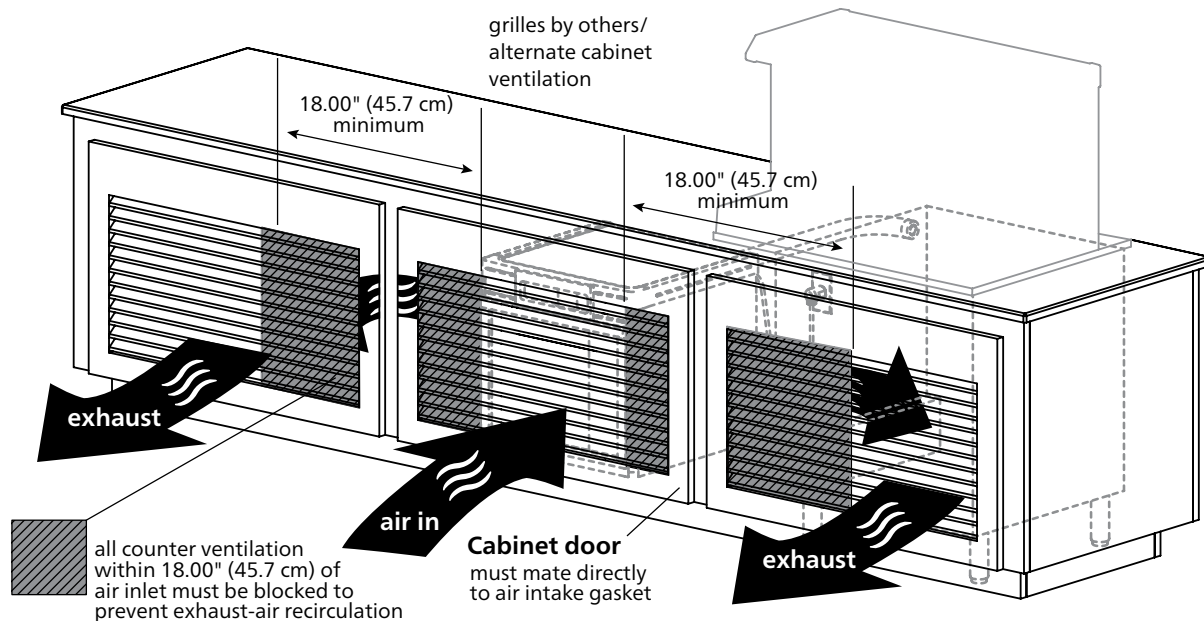
Important specifier notes for using Follett ventilation kit, item# 01564624

1. The exhaust grille must be located at least 18.00" (45.7 cm) from the supplied air intake grille (exhaust air must not recirculate with intake air).
2. Cabinet interior must be open to allow for unrestricted exhaust air flow.
3. Ice transport tube needs minimum 1/4" per foot (2 cm per meter) pitch toward ice machine and should be secured to prevent dips and traps from forming.
4. Cabinet door must mate directly to air intake gasket.
5. Cabinet interior must provide a minimum clear space of 24.50" (62.2 cm) deep by 22.25" (56.5 cm) high.
6. Cutout for grilles must meet minimum size requirements shown above.
7. Utilities should be conveniently located as shown.

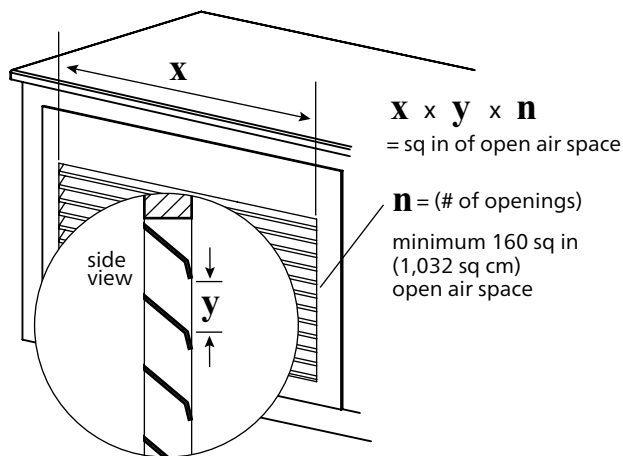
3 – Undercounter/in-cabinet mounting and ventilation (continued)

Using grilles by others/alternate cabinet ventilation

Cabinets with ventilation or louvers other than the Follett ventilation kit require special consideration to provide proper ventilation. Recirculation of hot air will reduce ice machine performance and can cause ice machine outages.



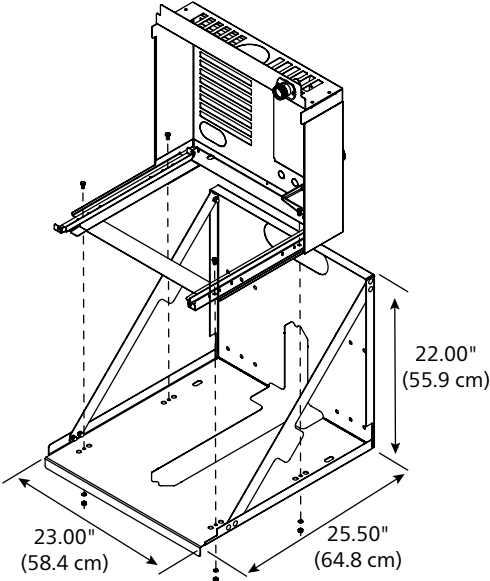
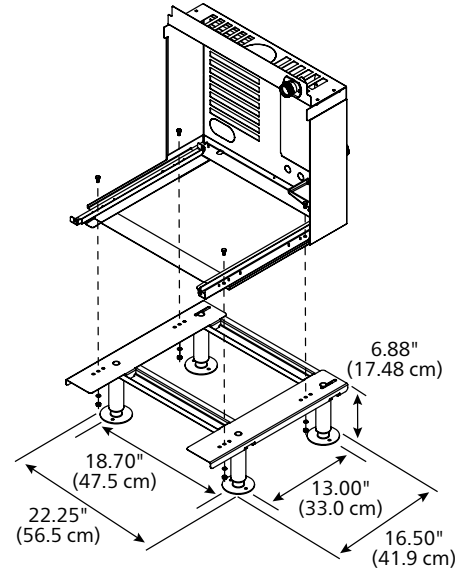
Minimum open air space



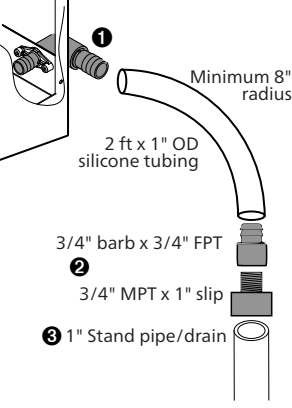
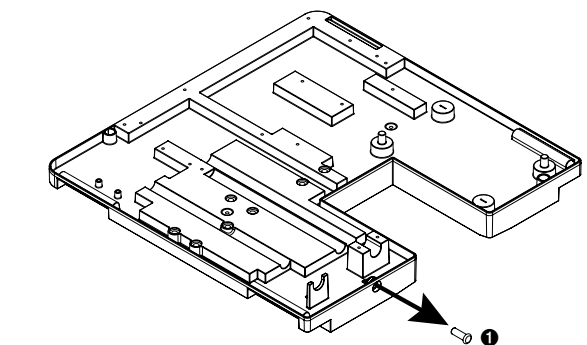
Important specifier notes for using grilles supplied by others/alternate cabinet ventilation

1. Exhaust must be at least 18.00" (45.7 cm) from air intake (exhaust air must not recirculate with intake air).
2. Cabinet interior must be open to allow for unrestricted exhaust air flow.
3. Ice transport tube needs minimum 1/4" per foot (2 cm per meter) pitch toward ice machine and should be secured to prevent dips and traps from forming.
4. Ducting must be provided if cabinet door does not mate directly to air intake gasket.
5. Cabinet interior must provide a minimum clear space of 24.50" (62.2 cm) deep by 22.25" (56.5 cm) high.
6. Grilles by others must meet minimum requirements for open air space shown above.
7. Utilities should be conveniently located as shown.

4 – Horizon Elite ice machine mounting accessories

Optional wall mount bracket	Optional machine stand	Important specifier notes
 <p>23.00" (58.4 cm)</p> <p>25.50" (64.8 cm)</p> <p>22.00" (55.9 cm)</p>	 <p>18.70" (47.5 cm)</p> <p>22.25" (56.5 cm)</p> <p>13.00" (33.0 cm)</p> <p>16.50" (41.9 cm)</p> <p>6.88" (17.48 cm)</p>	<ol style="list-style-type: none"> 1. For secure wall mounting, specify optional wall mount bracket. 2. Wall and fasteners must support the weight of the ice machine, bracket, supply water and ice. Use of a backing board may be required with hollow wall construction. 3. Machine stand mounting adds 6.88" (17.5 cm) to height of ice machine. 4. No dips in tube routing allowed. 5. Ice transport tube needs minimum 1/4" per foot (2 cm per meter) pitch toward ice machine and should be secured to prevent dips and traps from forming.

5 – Horizon Elite drains - specifier guidelines

Ice machine drain plumbing	Important specifier notes: Where code allows, follow recommendation below.
 <p>2 ft x 1" OD silicone tubing</p> <p>Minimum 8" radius</p> <p>3/4" barb x 3/4" FPT</p> <p>3/4" MPT x 1" slip</p> <p>1" Stand pipe/drain</p>	<ol style="list-style-type: none"> 1. Apply Teflon tape to 3/4" male outlet ice machine fitting. Thread on either the provided straight 3/4" barb adapter or a 90 degree adaptor. Connect the supplied 2' (0.61 m) silicone hose to the 3/4" drain barb ❶. 2. It is recommended that the silicone hose be routed down into a 1.5" or 2" standpipe/drain. The minimum drain size for the ice machine is 1". Note: 3/4" to 1" PVC adapter fittings are provided if a larger drain size is not possible ❷ ❸. <p>Note: Minimum 8" radius on silicone drain line. Drain line from the ice machine must have at least 1/4" per foot pitch (6.4 mm/0.3 m).</p> <p>Note: Standpipe/drain provided by others. All other components provided with ice machine.</p>
Chassis drain plumbing – Required	Important specifier notes: Where code allows, follow recommendation below.
	<ol style="list-style-type: none"> 1. Remove white 3/8" plug from rear push-in fitting ❶. 2. Route 3/8" OD drain tubing (preferably copper) through rear of docking station and fully insert into chassis base push-in fitting. Route into drain standpipe. 3. Gravity drain. Ensure 3/8" OD tubing slopes down into drain standpipe without forming a trap.

6 – Horizon Elite ice tube runs - specifier guidelines

Long tube runs for RIDE remote ice delivery equipment

Important specifier notes

- 75' (22.9 m) maximum ice transport tube run.
- Tubing routing bends must have a 6.00" (15.24 cm) radius or larger.
- Dips and traps are not allowed. A 3" (7.62 cm) or larger PVC pipe chase is suggested to support the tubing run. If not supported, secure insulated ice transport tube at least every 2' (0.61 m) to prevent drips and traps.
- Relative humidity levels above 80% in areas where the ice machine or ice transport tube is located may produce excessive condensation that will cause water damage.
- Contact factory for recommendations on running tubing through a decorative soffit or chase.

Ice production – Horizon Elite D710A series

Inlet water temperature F (C)	Ambient air temperature F (C)					lb (kg) production in 24 hr
	60 (16)	70 (21)	80 (27)	90 (32)	100 (38)	
50 (10)	787 (357)	759 (345)	705 (320)	639 (290)	603 (274)	
60 (16)	750 (341)	702 (319)	666 (302)	624 (283)	570 (259)	
70 (21)	707 (321)	681 (309)	636 (289)	586 (266)	542 (246)	
80 (27)	677 (307)	629 (286)	611 (277)	559 (254)	518 (235)	
90 (32)	642 (291)	600 (272)	580 (263)	539 (245)	497 (226)	

Ice production – Horizon Elite E710A series

Inlet water temperature F (C)	Ambient air temperature F (C)					lb (kg) production in 24 hr
	60 (16)	70 (21)	80 (27)	90 (32)	100 (38)	
50 (10)	664 (301)	617 (280)	576 (261)	538 (244)	500 (227)	
60 (16)	645 (293)	601 (272)	560 (254)	521 (236)	481 (218)	
70 (21)	626 (284)	582 (264)	544 (247)	506 (229)	464 (210)	
80 (27)	588 (267)	544 (247)	512 (232)	481 (218)	389 (176)	
90 (32)	557 (252)	519 (235)	487 (221)	455 (207)	328 (149)	

ENERGY STAR and the ENERGY STAR mark are registered trademarks owned by the U.S. Environmental Protection Agency.
 Agion is a registered trademark of Sciesent LLC.
 Open Kitchen is a trademark of Powerhouse Dynamics.
 HORIZON ELITE, ICE•DEVICE, ICE PRO, SAFE/CLEAN PLUS, SANISPONGE, SYMPHONY PLUS and VISION are trademarks of Follett Products, LLC.
 CHEWBLET, FOLLETT and RIDE are registered trademarks of Follett Products, LLC, registered in the US.
 Follett reserves the right to change specifications at any time without obligation. Certifications may vary depending on country of origin.

Self-contained 710 series ice machine