



Item No.: \_\_\_\_\_  
 Order No.: \_\_\_\_\_  
 Qty: \_\_\_\_\_ Date: \_\_\_\_\_

## STAINLESS STEEL ELECTRIC HOT FOOD TABLE WITH CUT BOARD

### Features

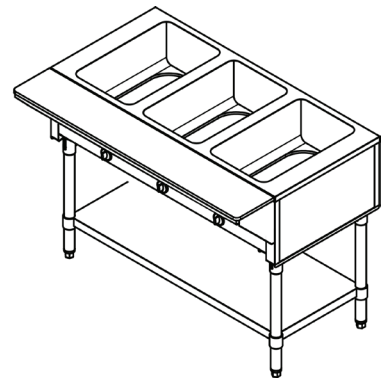
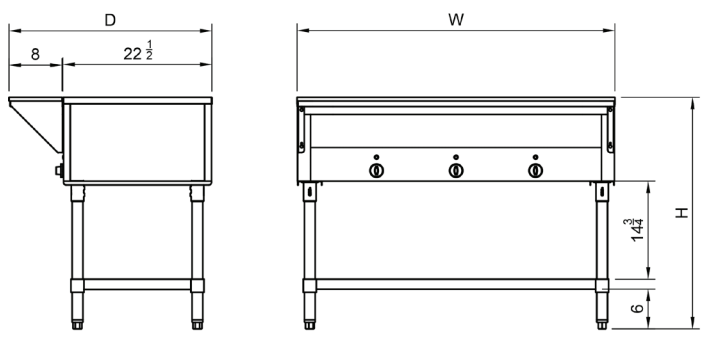
- Constructed of All Stainless Steel, Legs & Undershelf
- 8" deep wells hold 2 full size food pans or can accommodate a custom pan layout
- Polyethylene 8" deep cutting board with full support shelf for stability
- Adjustable undershelf provides additional space for utensils, pans, or lids
- Independent infinite control knobs with indicator lights
- Dry operated, can be paired with compatible spillage pans for moist heat



### Description **Stainless Steel Electric Hot Food Table with Cut Board**

Keep your food at the ideal serving temperature with this hot food table with cutting board. Perfect for cafeterias, hotels, restaurants, and banquet halls, this low maintenance warmer is a must for serving large groups of people with minimal down time. Made of durable stainless steel, this warmer is not only long lasting and corrosion resistant, it also gives off a professional appearance.

### Plan View **ST-3WOE-120**



Order No.	D x W x H (in)	Wells No.	Voltage	Amps	Watts
ST-2WOE-120	30-3/8 x 30 x 35	2	120	8.3	1000
ST-3WOE-120	30-3/8 x 44 x 35	3	120	12.5	1500
ST-4WOE-240	30-3/8 x 58 x 35	4	240	16.67	4000
ST-5WOE-240	30-3/8 x 72 x 35	5	240	20.84	5000