



Product Specifications

15" Dispensers

VCDE215-SSH1A: Tap 1: Still Coffee • Tap 2: Nitro Coffee

VCDE215-SSA1A: Tap 1: Beer

- Maximize profits by utilizing a small space to serve beer or nitro coffee with a compact direct draw beverage dispenser
- Includes refrigeration cabinet, dispensing tower, tubing, hardware, black tap handles, drip tray, and casters
- Designed to be built-in or freestanding



Coffee dispensers utilize patent-pending technology trusted by America's largest coffee chain



VCDE215-SSH1A



VCDE215-SSA1A

Model	Description	Voltage/Hz	Shipping Weight
VCDE215-SSH1A	Cold Coffee 2 Dispenser 15" Reversible Hinge Solid Door	115v / 60hz	86 lb
VCDE215-SSA1A	Beer 1 Dispenser 15" Reversible Hinge Solid Door	115v / 60hz	80 lb

Specifications

VCDE215-SSH1A holds up to one 5 gallon cornelius keg & one 10 lb / 38 cu ft nitro tank

VCDE215-SSA1A holds up to one 1/2 barrel & one 10 lb / 38 cu ft CO² tank

Cabinet Dimensions: 34 1/2" H x 15" W x 25 3/4" D (see diagram for tower heights)

Convection cooling system provides a quick cool down and consistent temperature

Environmentally friendly R600a refrigerant: VCDE215-SSH1A: 1.06 oz / VCDE215-SSA1A: 1.23 oz

Full-depth lower interior with an interior volume of 3.6 cu ft

High efficiency variable speed compressor

NSF/ANSI Standard 7 compliant

Removable lower interior stainless steel liner

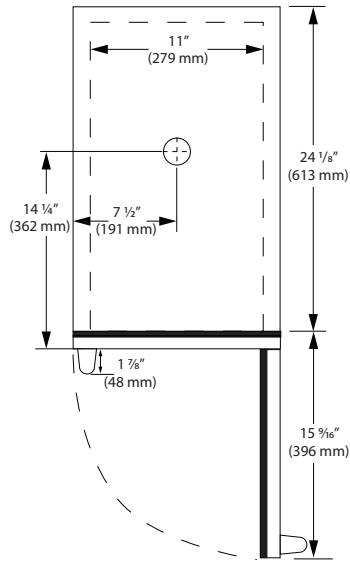
Stainless steel cabinet, grille, and full-wrap door

Temperature range: 34°F – 60°F

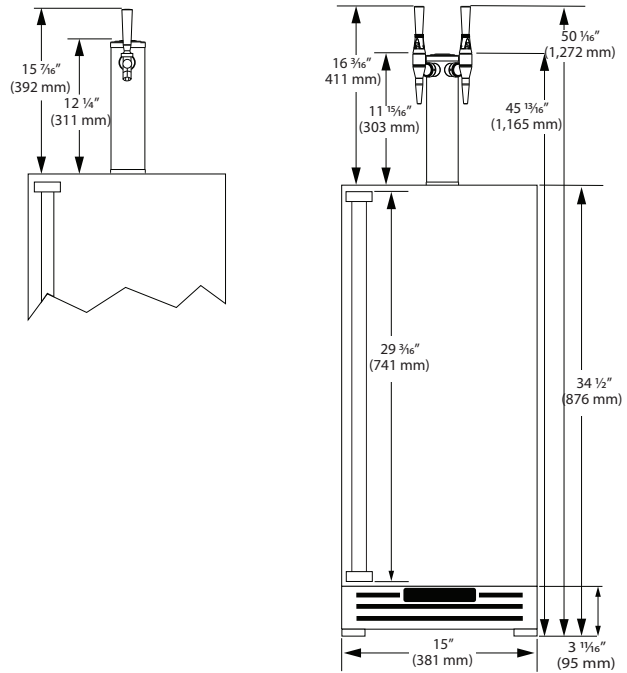
Accessories	Description	Shipping Weight
ULANITROTANK	22 cu ft Aluminum Nitro Tank	5 lb
ULACOFFEEKEG	2.5 gal Coffee Keg	6 lb
ULANITROREG	Nitrogen Regulator	3 lb
ULACOFFEECLEAN	Coffee Dispenser Cleaner (1 Box of 5 Packets)	1 lb



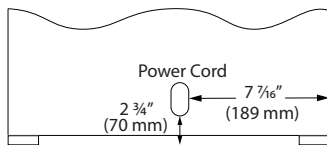
Top



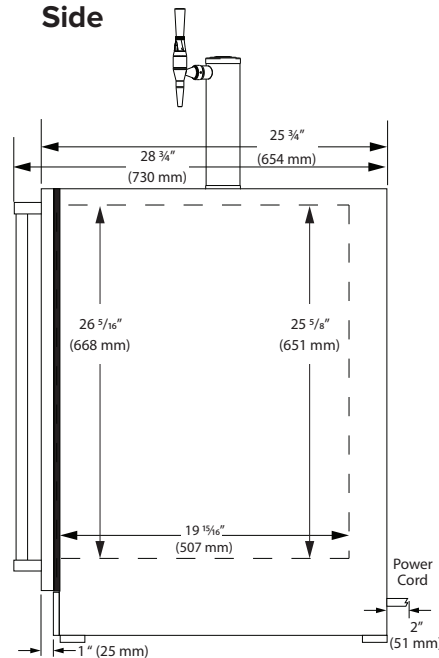
Front



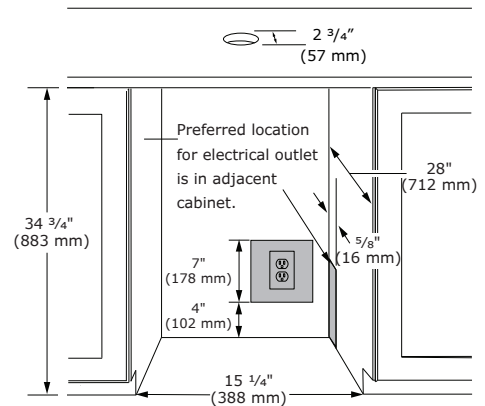
Back



Side



Cabinet Cut-Out



Commercial Warranty

1 Year (parts & labor) / 5 year sealed system (parts)
See complete warranty for details

Installation Notes

- Power cord extends 2" beyond total depth
- No additional clearance is needed for ventilation
- Do not obstruct front grille air flow