

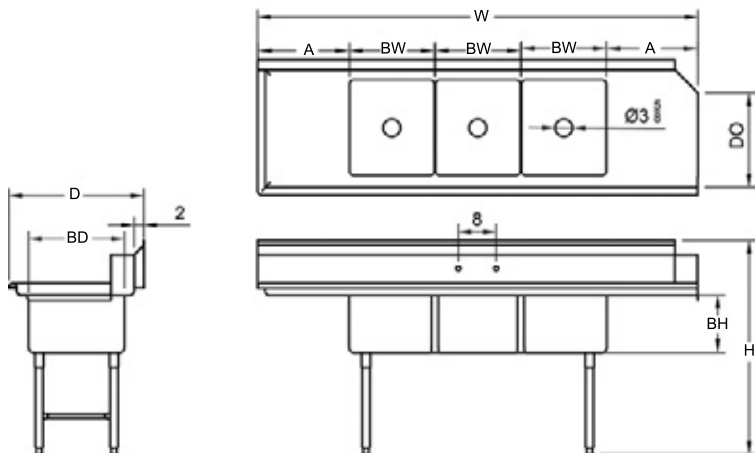
# Three Sinks & Under Counter Dish Tables

## Three Compartment Sink Dishtables

DT18243D-L



- Table has formed-down lip to fit most standard dishwasher
- Stainless steel legs with cross bracing
- 8" wall mount faucet holes
- 11-1/2" backsplash



Suggested Accessories:



Item No.	Side	Item No.	Side	D x W x H (in)	BD x BW x BH (in)	Drainboard (in)	DO (in)	G. W. (lb)
DT18243D-L	Left	DT18243D-R	Right	30 x 90-1/4 x 45-1/2	24 x 18 x 14	18	21-1/2	125

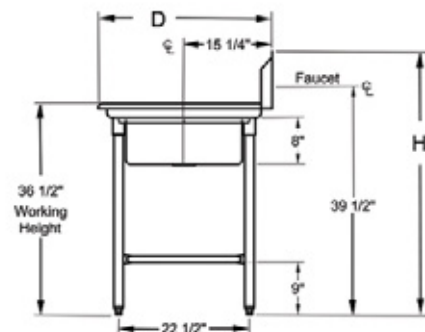
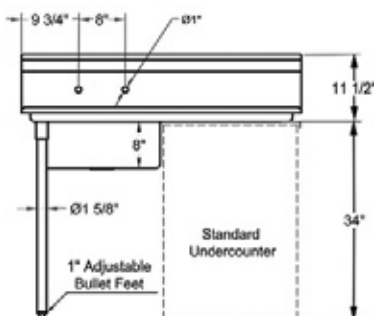
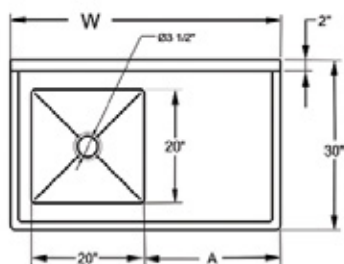
## Under Counter Design Dishtables

Left Side Model

Right Side Model



- 16 Ga. 304 Polished stainless steel work surface
- 16 Ga. 304 S/S Sink bowl 20in x 20in x 8in
- Fit standard undercounter dishwashers
- Left or right models;
- Stainless steel legs with cross braced
- Ø3-1/2 Stainer opening
- 11-1/2 Backsplash
- Faucet and scrap basket are not included



Item No.	D x W x H (in)	Drainboard (in)	G. W. (lb)
DT48U-L	30 x 48 x 45-1/2	24-1/4	50
DT48U-R	30 x 48 x 45-1/2	24-1/4	50
DT60U-L	30 x 60 x 45-1/2	36-1/4	57
DT60U-R	30 x 60 x 45-1/2	36-1/4	57