



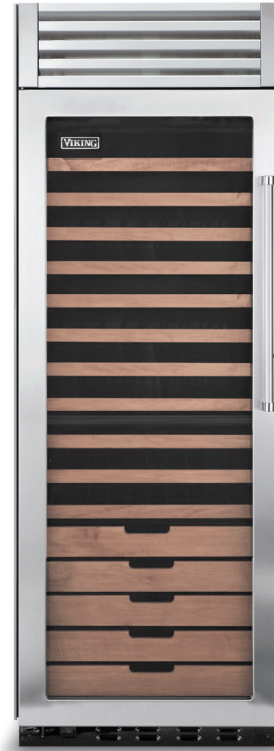
Product Specifications

30" Wine Column, Dual Zone

- Preserve, serve and display up to 160 full-size bottles of wine
- Dual zone independent temperature zones, temperature range of 43° F to 65° F
- Sixteen full width maple facing shelves coated to reduce vibration
- Two convertible shelves adjust for bottle display



VCWD630-SG41A



VCWD630-SG51A

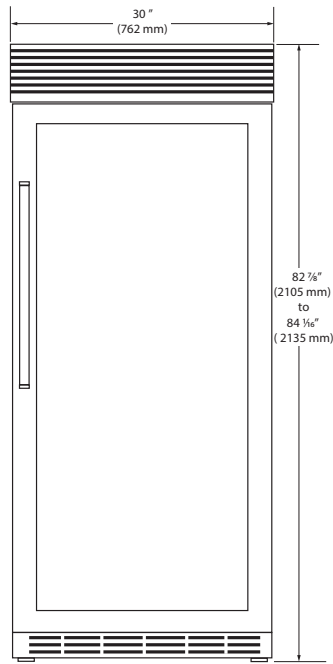
Model	Description	Voltage/Hz	Weight
VCWD630-SG41A	Wine Column 30" Dual-Zone, Right Hinge, Stainless, Glass Door	115v / 60 hz	157 lb (71kg)
VCWD630-SG51A	Wine Column 30" Dual-Zone, Left Hinge, Stainless, Glass Door	115v / 60 hz	157 lb (71kg)

Specifications
VCWD630-SG41A and VCW630-SG51A dimensions: 84 1/8" H x 30" W x 27" D with handle
Door locks included
Doorstops are factory set at 110° swing, adjustable to 90° or 120°
Dual magnet/spring assist door to automatically close
Dual zone LED lighting with on, off, or adjustable duration
Electronic control monitors and maintains the set temperature within 1° F
Environmentally friendly R600a refrigerant (2.04 oz)
Front venting high efficiency variable speed compressor
Low E glass protects and preserves wine
Must specify right hinge or left hinge when ordering

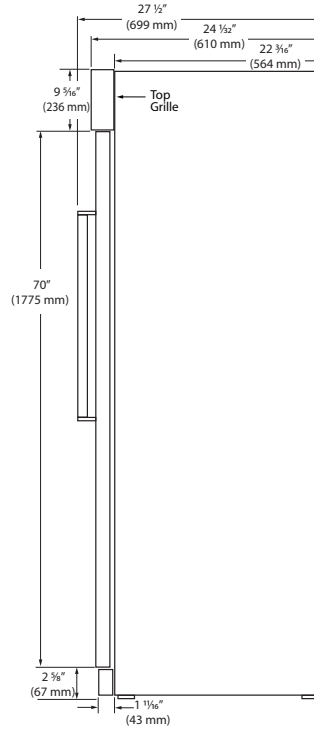


Product Specifications • 30" Wine Column, Dual Zone

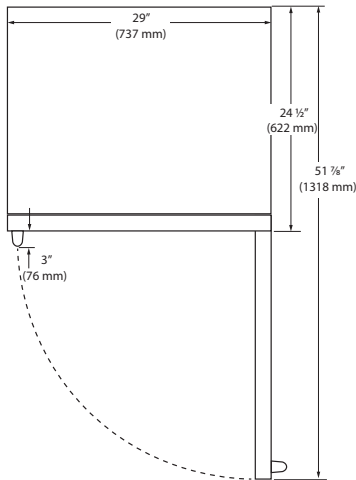
Front



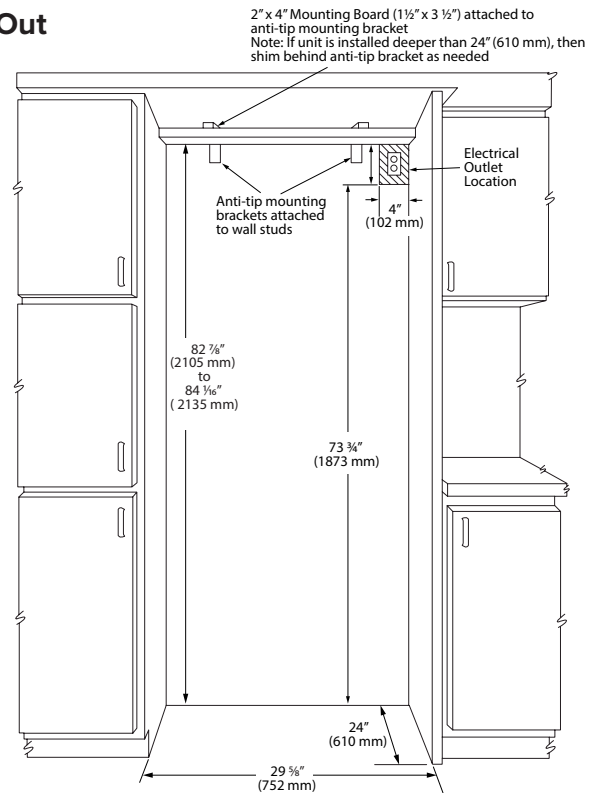
Side



Top



Cabinet Cut-Out



Installation Notes

Do not obstruct front grille air flow

Commercial Warranty

1 Year (parts & labor) / 5 year sealed system (parts)
 See complete warranty for details

