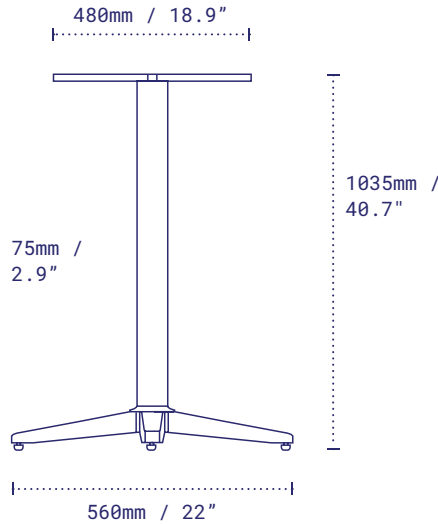


Trail 22 Bar




B22NR-BAR : BAR HEIGHT





Trail 22 self-stabilising table base exemplifies modern simplicity. The linear, clean design and concealed componentry complements a robust construction for use in any setting.

Pictured: Trail 22 Bar Height, Sandstone Black.

DETAILS

| | |
|--|---|
|  Material | Steel – Zinc Plated Legs, Zinc Phosphate Column and Top Plate |
|  Next-Level Protection also available | Steel – Zinc Plated Legs, Zinc Plated Column, Alodine Top Plate |
|  Height | 1035mm / 40.7" Bar excl. table top 1080mm / 42.5" Bar (EU only) |
|  Base diameter | 560mm / 22" |
|  Column width | 75mm / 2.9" |
|  Top plate | Fixed |
|  Net weight | 6.7kg / 14.7lbs |
|  Max recommended table top | ○ 760mm / 30" □ 600mm / 24" |
|  Resources | no-rock.com/product/trail |

PACKAGING

| | |
|---|--|
|  Carton | 470 x 680 x 100mm / 18.5 x 26.7 x 3.9" x Box 1 83 x 84 x 1050mm / 3.2 x 3.3 x 41.3" x Box 2 |
|  Gross weight | 7.9kg / 17.4lbs |

STANDARD COLOR RANGE

● Sandstone Black

