



## Product Specifications

# Configurable Back Bar Refrigeration

- Customize for your operation with refrigeration in a variety of sizes and selections including condenser location, solid and glass door configurations, and direct draw options
- Back bar refrigerators offered in 32", 52", 72", and 92" with additional customizations like condenser location and solid and glass door combinations.
- Field reversible door(s) with lock(s)
- Casters or legs sold as an accessory



VCBR532-SS01A



VCBR552-SS01A



VCBR572-SS01A



VCBR592-SS01A



VCBR532-SG01A



VCBR552-SG01A



VCBR572-SG01A



VCBR592-SG01A



VCBR652-SS01A\*



VCBR672-SS01A\*



VCBR692-SS01A\*

\*Tap tower ready. Tap towers sold separately.

| Model           | 32" Models                        | 52" Models                        | 72" Models                        | 92" Models                        |
|-----------------|-----------------------------------|-----------------------------------|-----------------------------------|-----------------------------------|
| Dimensions      | 34 9/16" H x 32" W<br>x 24 3/4" D | 34 9/16" H x 52" W<br>x 24 3/4" D | 34 9/16" H x 72" W<br>x 24 3/4" D | 34 9/16" H x 92" W<br>x 24 3/4" D |
| Internal Volume | 6.25 cu ft                        | 12.52 cu ft                       | 19.74 cu ft                       | 28.5 cu ft                        |
| Refrigerant     | R600a (2.12 oz)                   | R290 (4.06 oz)                    | R290 (4.06 oz)                    | R290 (4.06 oz)                    |

### Specifications

Adjustable coated wire shelves

Adjustable bright white or blue LED lighting

Automatic defrost

Convection cooling system provides a quick cool down and consistent temperature

High efficiency compressor

NSF/ANSI Standard 7 compliant

Temperature range: 33°F - 70°F



**Product Specifications**  
**Configurable Back Bar Refrigeration**

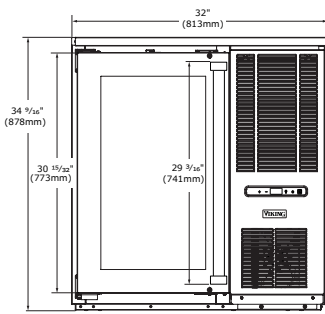
| Model         | Description   | Voltage/Hz  | Shipping Weight |
|---------------|---|-------------|-----------------|
| VCBR532-SS01A | 32" Back Bar, 1 Solid Door, Lock, Condenser Right, 3 Wire Shelves, Solid Top, Stainless Steel               | 115v / 60hz | 302 lb          |
| VCBR552-SS01A | 52" Back Bar, 2 Solid Doors, Locks, Condenser Right, 6 Wire Shelves, Solid Top, Stainless Steel             | 115v / 60hz | 382 lb          |
| VCBR572-SS01A | 72" Back Bar, 3 Solid Doors, Locks, Condenser Right, 9 Wire Shelves, Solid Top, Stainless Steel             | 115v / 60hz | 496 lb          |
| VCBR592-SS01A | 92" Back Bar, 4 Solid Doors, Locks, Condenser Right, 12 Wire Shelves, Solid Top, Stainless Steel            | 115v / 60hz | 542 lb          |
| VCBR532-SG01A | 32" Back Bar, 1 Glass Door, Lock, Condenser Right, 3 Wire Shelves, Solid Top, Stainless Steel               | 115v / 60hz | 302 lb          |
| VCBR552-SG01A | 52" Back Bar, 2 Glass Doors, Locks, Condenser Right, 6 Wire Shelves, Solid Top, Stainless Steel             | 115v / 60hz | 382 lb          |
| VCBR572-SG01A | 72" Back Bar, 3 Glass Doors, Locks, Condenser Right, 9 Wire Shelves, Solid Top, Stainless Steel             | 115v / 60hz | 496 lb          |
| VCBR592-SG01A | 92" Back Bar, 4 Glass Doors, Locks, Condenser Right, 12 Wire Shelves, Solid Top, Stainless Steel            | 115v / 60hz | 542 lb          |
| VCBR652-SS01A | 52" Back Bar, 2 Solid Doors, Locks, Condenser Right, 6 Wire Shelves, 1 Tap & Drain Hole, Stainless Steel    | 115v / 60hz | 382 lb          |
| VCBR672-SS01A | 72" Back Bar, 3 Solid Doors, Locks, Condenser Right, 9 Wire Shelves, 2 Taps & Drain Holes, Stainless Steel  | 115v / 60hz | 496 lb          |
| VCBR692-SS01A | 92" Back Bar, 4 Solid Doors, Locks, Condenser Right, 12 Wire Shelves, 2 Taps & Drain Holes, Stainless Steel | 115v / 60hz | 542 lb          |

| Accessories       | Description   | Shipping Weight |
|-------------------|---|-----------------|
| ULACOMLEGS4       | 4, 6" Adjustable leveling legs for 32" and 52" Models       | 10 lb           |
| ULACOMLEGS6       | 6, 6" Adjustable leveling legs for 72" and 92" Models       | 14 lb           |
| ULACOMCASTERS4    | 4, 6" Casters for 32" and 52" Models                        | 12 lb           |
| ULACOMCASTERS6    | 6, 6" Casters for 72" and 92" Models                        | 17 lb           |
| ULATAP SINGLE     | Single Beer Tap Tower Kit                                   | 20 lb           |
| ULATAP DOUBLE     | Double Beer Tap Tower Kit                                   | 24 lb           |
| ULABACKBARCOFFEE2 | 2 Tap Nitro Coffee Kit                                      | 10 lb           |
| ULABACKBARCOFFEE3 | 3 Tap Nitro Coffee Kit                                      | 11 lb           |
| ULABACKBARCOFFEE4 | 4 Tap Nitro Coffee Kit                                      | 12 lb           |
| ULAWINETAP1       | Single Tap, Low Profile Coupler, Regulator, & Nitrogen Tank | 16 lb           |
| ULAWINETAP2       | Double Tap, Low Profile Coupler, Regulator, & Nitrogen Tank | 20 lb           |

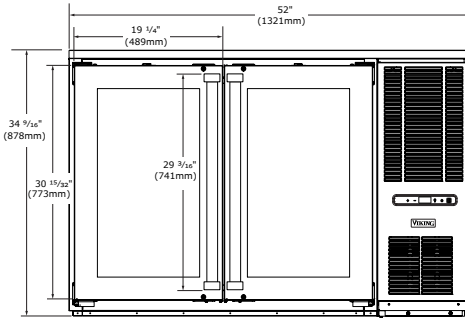


**Product Specifications**  
**Configurable Back Bar Refrigeration**

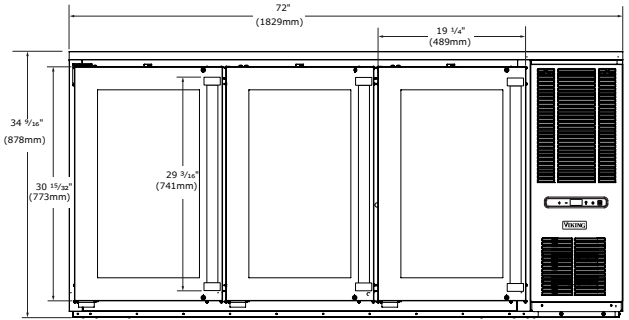
**32" Models**



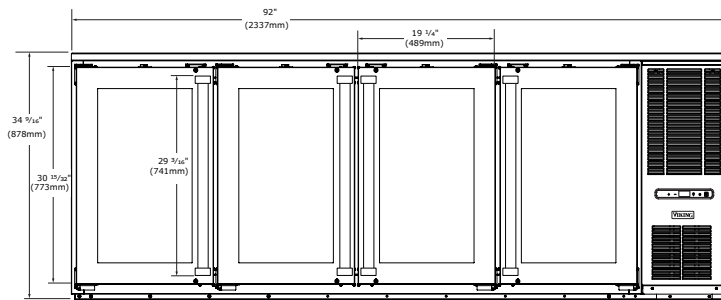
**52" Models**



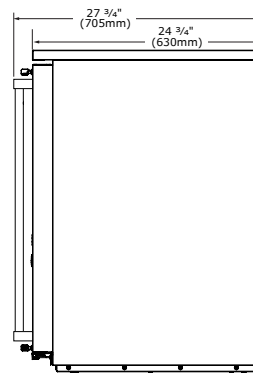
**72" Models**



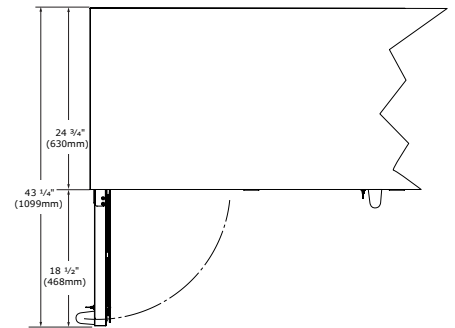
**92" Models**



**Side**

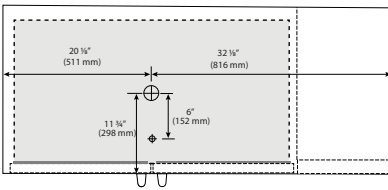


**Top**

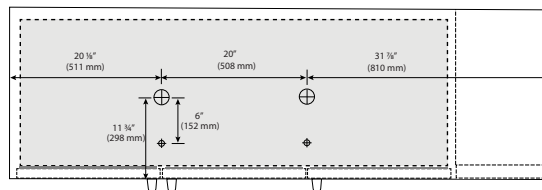


**Tower 2 3/4" (70 mm)/Drain 1" (25 mm) Location**

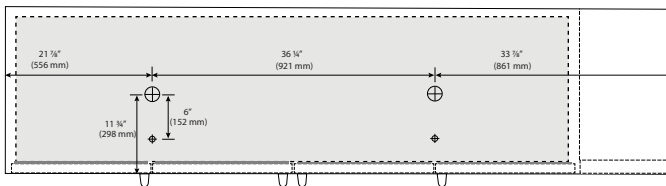
**52" Models**



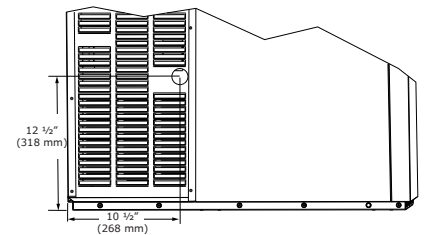
**72" Models**



**92" Models**



**Back Panel**



**Commercial Warranty**

1 Year (parts & labor) / 5 year sealed system (parts)  
See complete warranty for details

**Notes**

- Dimensions/image shown are for refrigeration unit on right