



Item No.: _____
 Order No.: _____
 Qty: _____ Date: _____

Features

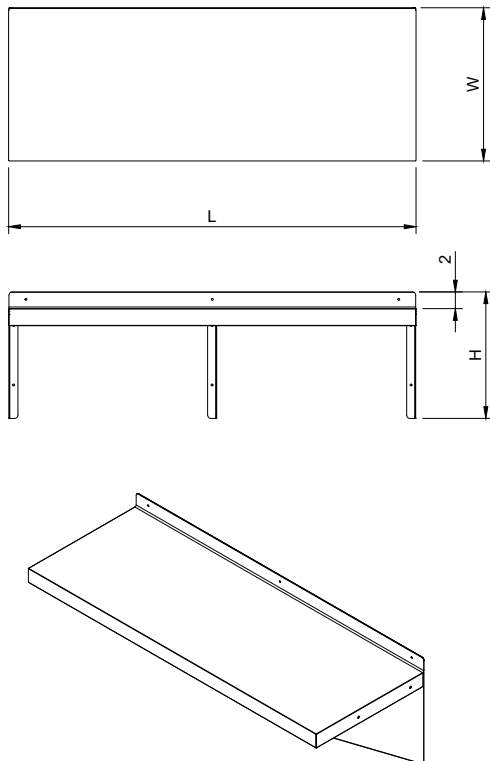
- Polished finish 18 gauge stainless steel
- Includes support brackets
- 2" rear upturn
- Shelf is easy to clean and resists corrosion
- Shipped knock-down



Description **Stainless Steel Wall Mount Shelf**

With the GSW 18 gauge stainless steel wall shelf, you'll receive a strong, durable shelving option that's built to last in a busy commercial setting like your kitchen. The support brackets attach directly to the walls, giving you vertical storage to free up your valuable counter space. This allows you to keep all your most used ingredients, supplies, and small pieces of equipment within easy reach.

Plan View **WS-W1848**



Order No.	D x W x H (in)	Brackets	Load Cap. (lb)	G.W. (lb)
WS-W1224	12 x 24 x 10	2	255	9
WS-W1236	12 x 36 x 10	2	300	12
WS-W1248	12 x 48 x 10	3	345	15
WS-W1260	12 x 60 x 10	4	395	19
WS-W1272	12 x 72 x 10	4	395	21
WS-W1284	12 x 84 x 10	5	395	25
WS-W1296	12 x 96 x 10	5	395	29
WS-W1424	14 x 24 x 11	2	255	10
WS-W1424	14 x 24 x 11	2	300	13
WS-W1448	14 x 48 x 11	3	345	17
WS-W1460	14 x 60 x 11	4	395	21
WS-W1472	14 x 72 x 11	4	395	23
WS-W1484	14 x 84 x 11	5	395	27
WS-W1496	14 x 96 x 11	5	395	32
WS-W1624	16 x 24 x 13	2	255	12
WS-W1636	16 x 36 x 13	2	300	18
WS-W1648	16 x 48 x 13	3	345	21
WS-W1660	16 x 60 x 13	4	395	25
WS-W1672	16 x 72 x 13	4	395	31
WS-W1824	18 x 24 x 15	2	255	14
WS-W1836	18 x 36 x 15	2	300	20
WS-W1848	18 x 48 x 15	3	345	23
WS-W1860	18 x 60 x 15	4	395	27
WS-W1872	18 x 72 x 15	4	395	33