



Item No.: _____
 Order No.: _____
 Qty: _____ Date: _____

Features

- 18 gauge stainless steel
- 1~3 tubs drop-in sink
- Centered deck mounted holes for 4" faucet
- Faucet NOT included
- Polished finish stainless steel
- Strainer included, opening Ø2"

Suggested Accessory:

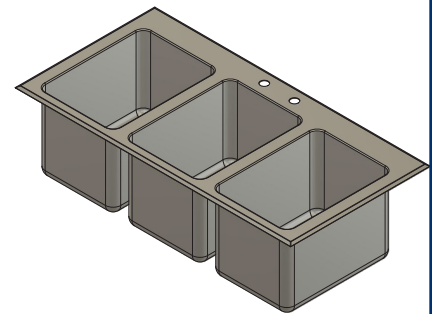
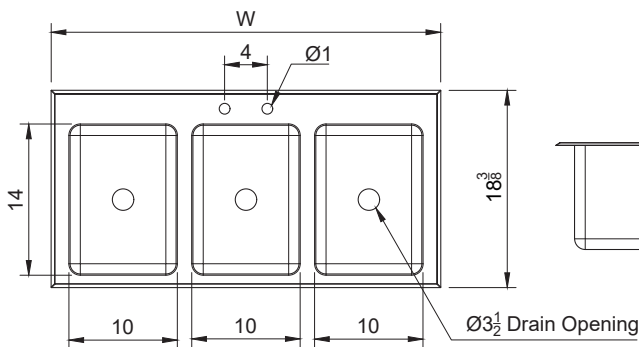
AA-422G & AA-010G



Description Flat Drop-In Compartment Sinks

This sink features a drop-in design that fits down through the top of your counter. It has a slick rim design along the top to provide a professional and neat appearance once it's installed in any countertop. It has the option for 1 sink, 2 sink or 3 sink to accommodate smaller kitchens where space maybe limited.

Plan View SH10143DDI



Item No.	D x W x H (in)	Description	Sink/Bowl Size	Gauge	G.W. (lb)
SH10141DDI	18-3/8 x 13-1/2 x 10	One Sink Bowl Flat Drop-in Style	10 x 14 x 10	18	12
SH10142DDI	18-3/8 x 25 x 10	Two Sink Bowl Flat Drop-in Style	10 x 14 x 10	18	23
SH10143DDI	18-3/8 x 36-1/2 x 10	Three Sink Bowl Flat Drop-in Style	10 x 14 x 10	16	34