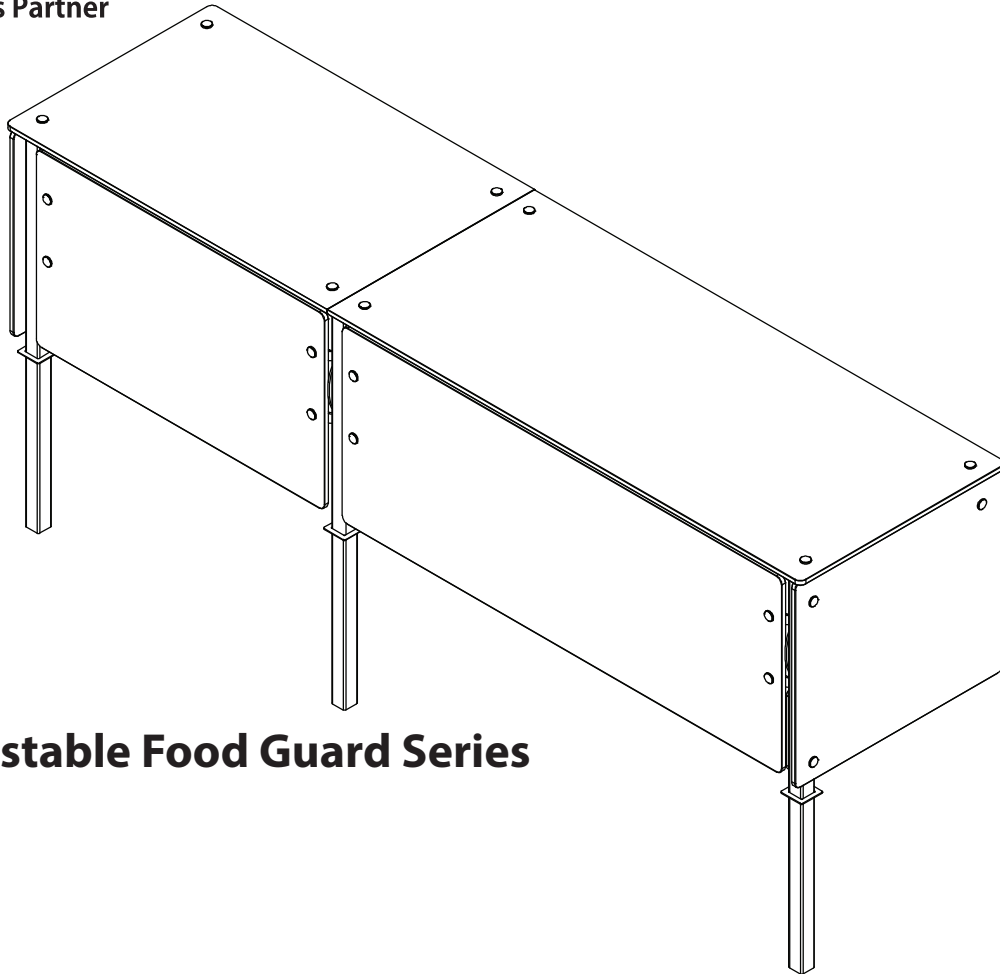




Your Solutions Partner

Illustrated Parts List



BGA Adjustable Food Guard Series

Model:

BGA1

BGA2

*This manual is Copyright © 2023 Duke Manufacturing Co. All rights reserved.
Reproduction without written permission is prohibited. Duke is a registered
trademark of the Duke Manufacturing Co.*

Duke Manufacturing Co.

2305 N. Broadway • St. Louis, MO 63102

800.735.3853 • 314.231.1130

Fax: 314-231-5074

www.dukemfg.com



TABLE OF CONTENTS

Controls3-7

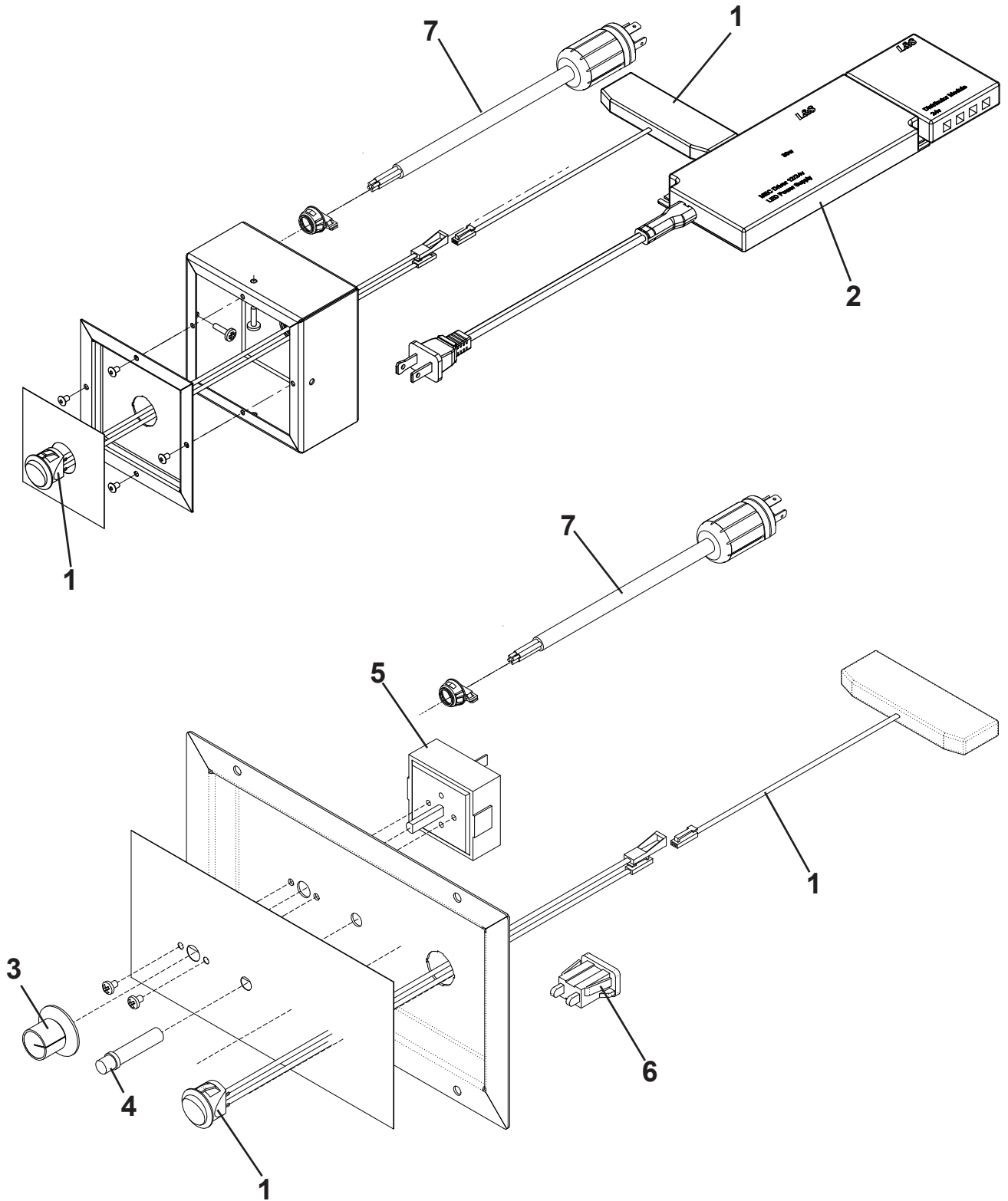
Heaters & Lights8

Guard Components9-10

Schematic11-13

Notes14

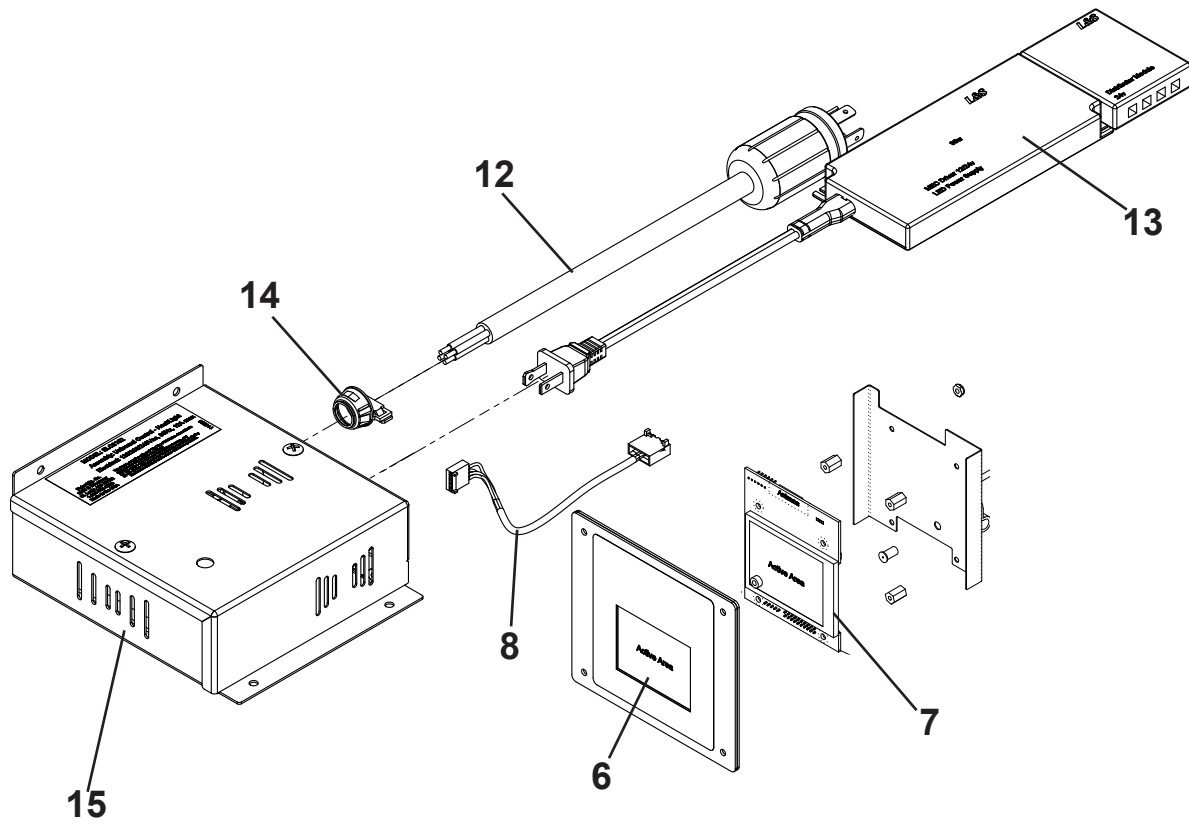
STANDARD CONTROLS-EXPLODED VIEW, PARTS LISTING



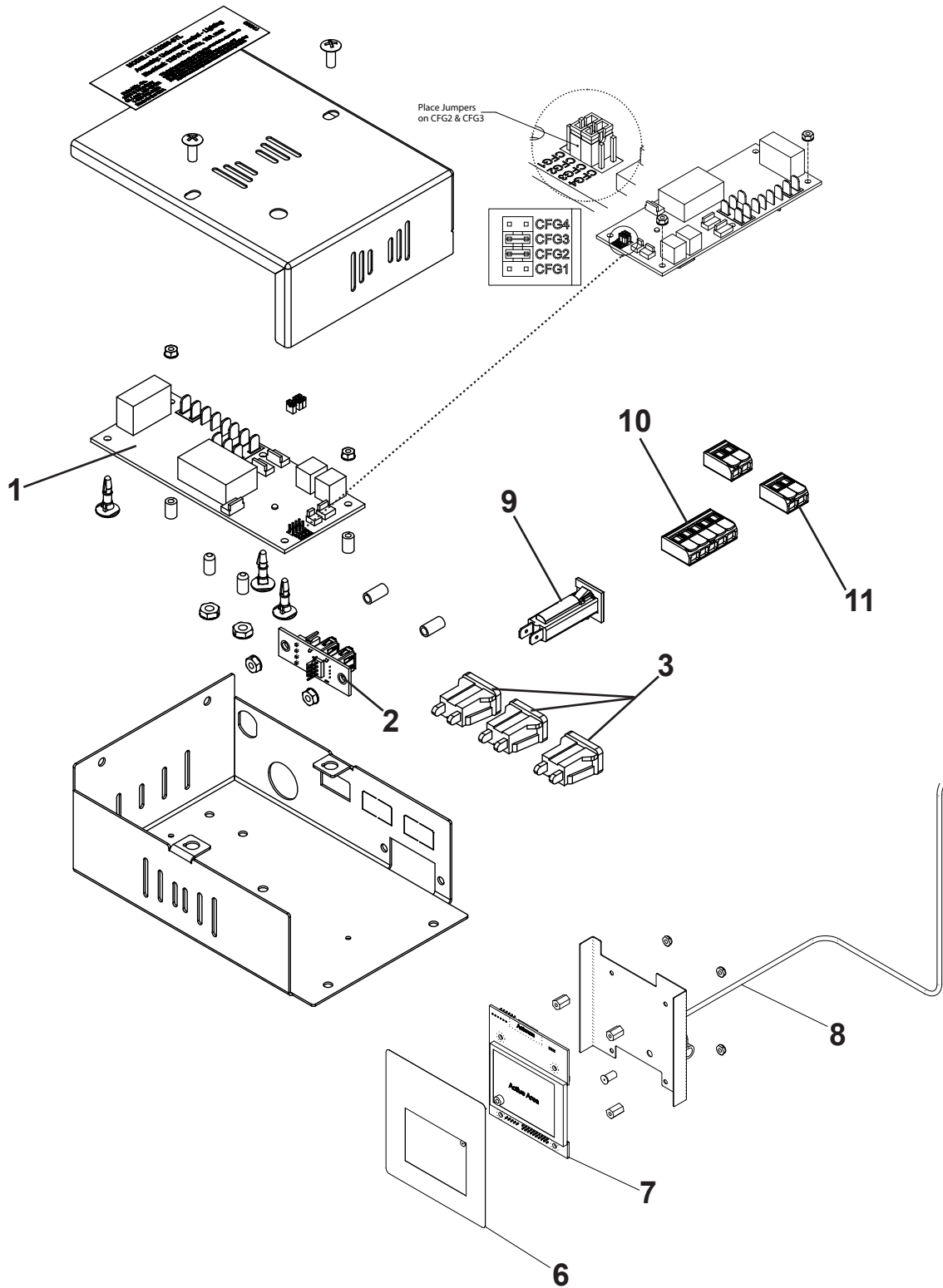
STANDARD CONTROLS-EXPLODED VIEW, PARTS LISTING

| Item | Part # | Description |
|------|---------|---|
| 1 | 514961 | Switch - Round Toggle |
| 2 | 514965 | Mec Driver 24v 36w W/ 8 Port Distribution Module + Us Power Cord 2000mm (79") |
| 3 | 222289 | Knob, Turn Hatco (For Cc) 05.30.043 |
| 4 | 114060 | Heat Lamp Indicator Light (Amber) |
| 5 | 155580 | Switch, Infinite 120v |
| 6 | ELC0575 | Utility Outlet Snap-In, Nema 1-15r |
| 7 | ELC0156 | Molded Power Cord Nema L14-20p |
| | ELC0760 | 120v Cord, 5-15P, 10ft |

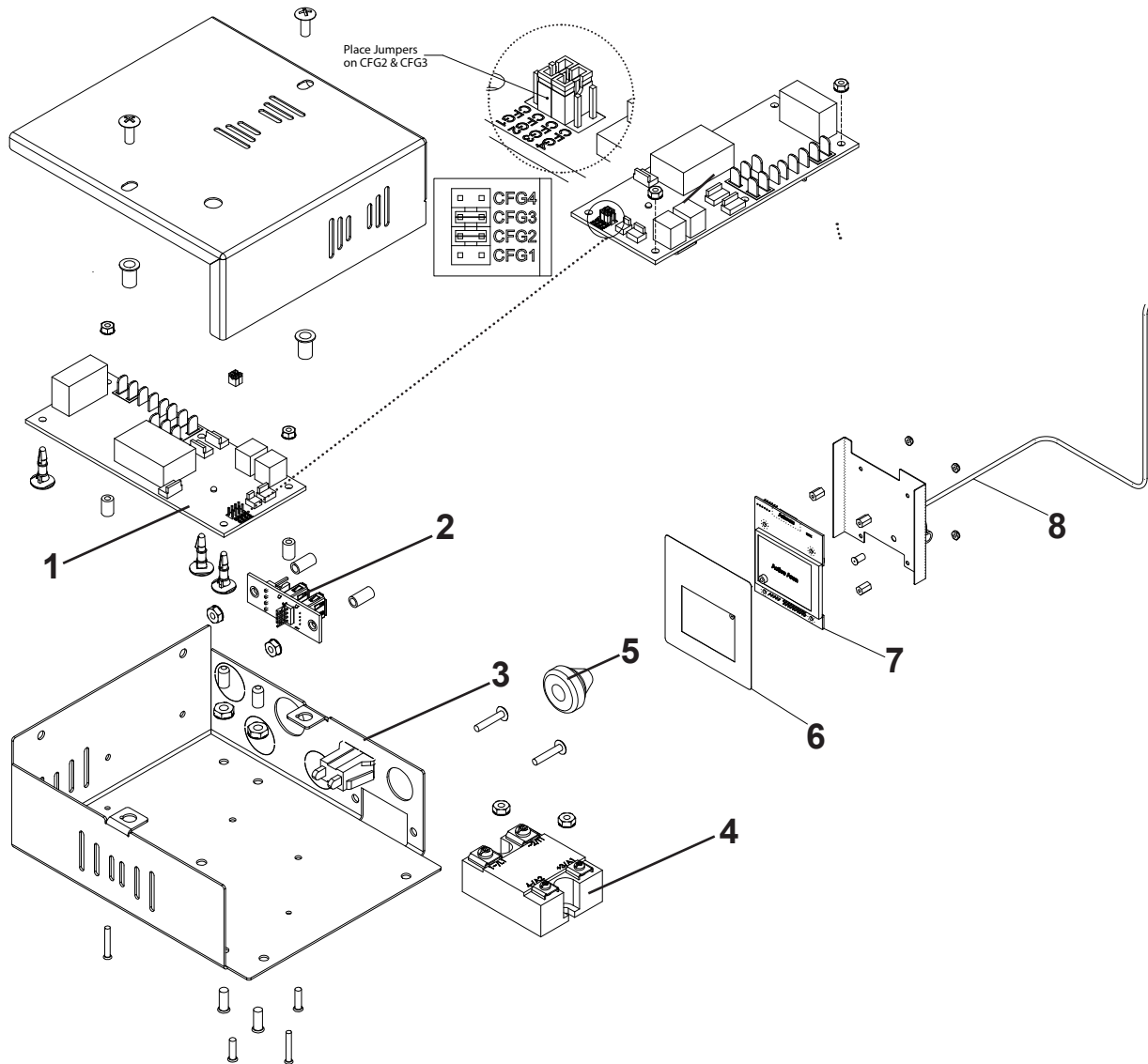
TOUCH SCREEN CONTROLS-EXPLODED VIEW, PARTS LISTING



ELC2102 CONTROL BOX-EXPLODED VIEW, PARTS LISTING

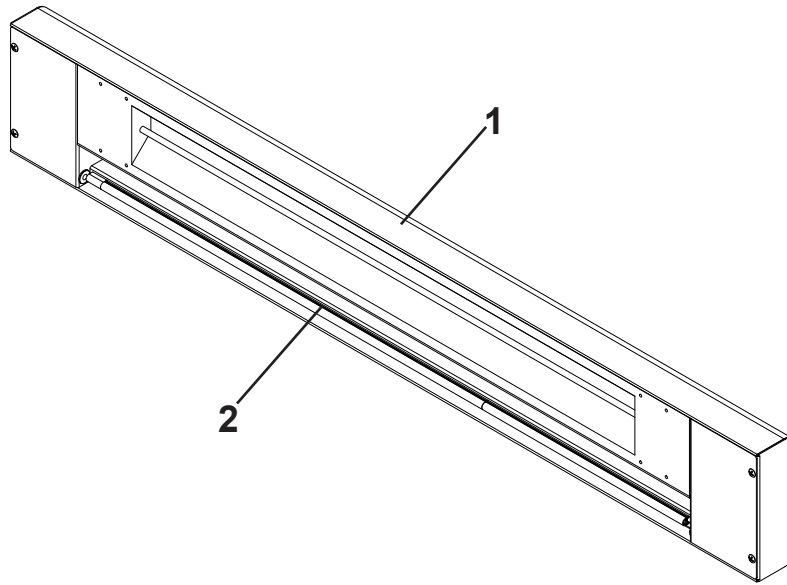


ELC2203 CONTROL BOX-EXPLODED VIEW, PARTS LISTING



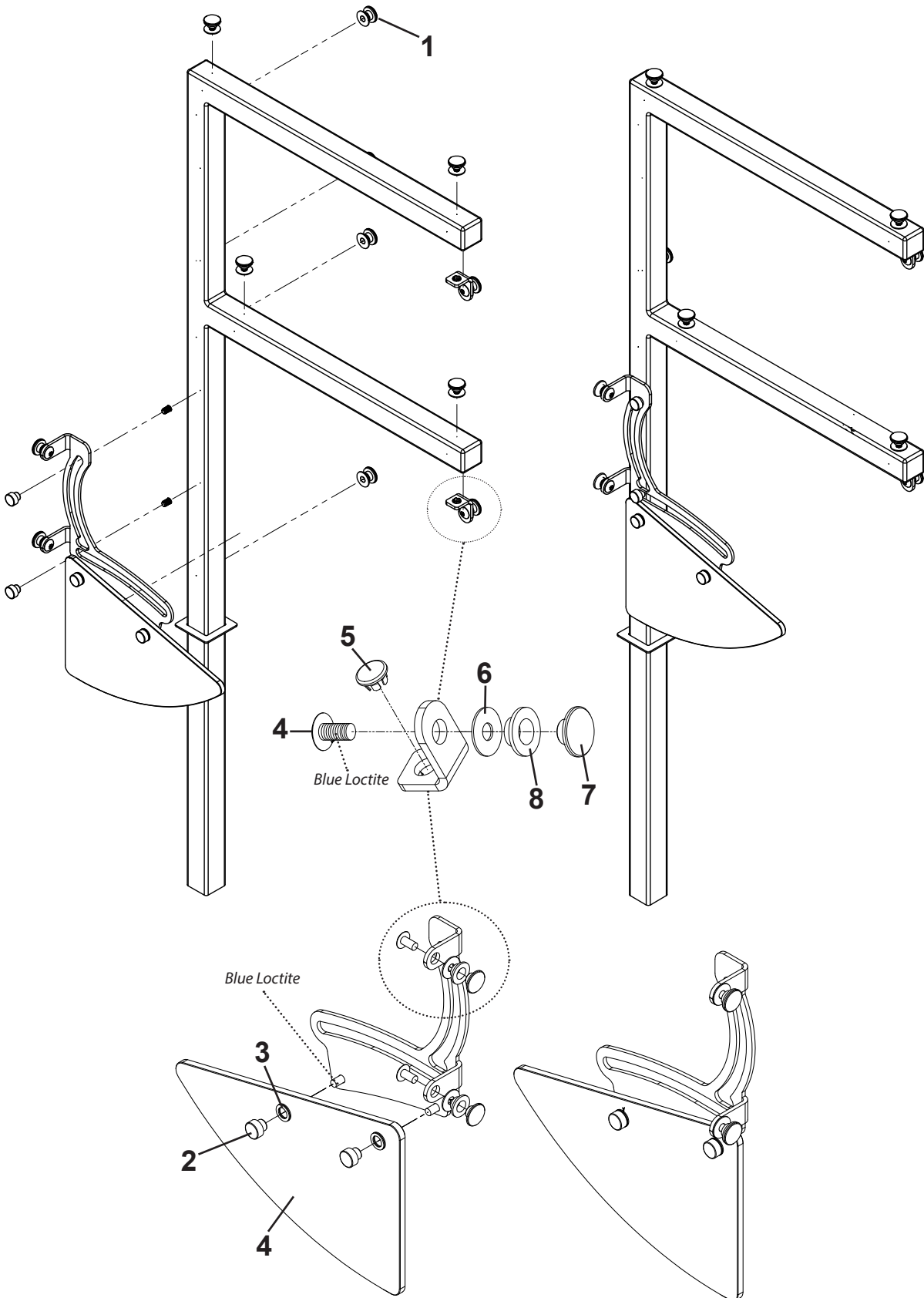
| Item | Part # | Description | 120V | 208V |
|------|----------|---|------|------|
| 1 | 600586 | Kit, IOA ELC0805 Only Board Replacement | 1 | 1 |
| 2 | ELC0402K | Kit, Pcb Can Bus Replacement | 1 | 1 |
| 3 | ELC0575 | Utility Outlet Snap-In, Nema 1-15r | 1 | 1 |
| 4 | 600373 | Kit, Solid State Relay Replacement | 1 | 1 |
| 5 | ELC0574 | Epdm Snap-In Liquid Tight Bushing | 1 | 1 |
| 6 | 523156 | Mylar, Single loc-G Blue, W/Logo | 1 | 1 |
| 7 | 600585 | Kit, IOC-G ELC0804 Only Board Replacement | 1 | 1 |
| 8 | ELC0440K | Kit, Harness 36" Box To loc-G Replacement | 1 | 1 |
| 9 | 177562 | Breaker,Circuit 10a | 1 | 1 |
| 10 | ELC0573 | Splice Connector, Wago 5-Position, 20-10awg, 15/Box | 1 | 1 |
| 11 | ELC0571 | Splice Connector, Wago 2-Position, 20-10awg, 50/Box | 1 | 1 |
| 12 | ELC0156 | Nema L14-20p Molded Power Cord | | 1 |
| | ELC0760 | | 1 | |
| 13 | 514965 | Mec Driver 24v 36w W/ 8 Port Distribution Module + Us Power Cord 2000mm (79") | 1 | 1 |
| 14 | 212020 | Connector, 3/8" Whipper-Snap 651sp | 1 | 1 |
| 15 | ELC2102 | loa Box - 1 Hot 120/208/240 Vac | OPT | OPT |
| | ELC2203 | loa Box, 3 Lights, 120 Vac | OPT | OPT |

HEATER & LIGHTS-EXPLODED VIEW, PARTS LISTING



| Item | Part # | Description | 18" | 24" | 30" | 36" | 42" | 48" | 54" | 60" | 66" | 72" |
|--------|--|--|-----|-----|-----|-----|-----|-----------|------------|------------|------------|------------|
| 1 | 225115 | Hatco Grn-18 120v, Black, With Infinite Control | X | | | | | | | | | |
| | 225116 | Hatco Grn-18 208v, Black, With Infinite Control | X | | | | | | | | | |
| | 225117 | Hatco Grn-18 240v, Black, With Infinite Control | X | | | | | | | | | |
| | 225130 | Hatco Grn-24 120v, Black, With Infinite Control | | X | | | | | | | | |
| | 114052 | Heat Lamp, GRN-24, 208V | | X | | | | | | | | |
| | 225118 | Hatco Grn-30 120v, Black, With Infinite Control | | | X | | | | | | | |
| | 225119 | Hatco Grn-30 208v, Black, With Infinite Control | | | X | | | | | | | |
| | 225120 | Hatco Grn-30 240v, Black, With Infinite Control | | | X | | | | | | | |
| | 225131 | Hatco Grn-36 120v, Black, With Infinite Control | | | | X | | | | | | |
| | 114054 | Heat Lamp, Grn-36, 208v | | | | X | | | | | | |
| | 225121 | Hatco Grn- 42 120v, Black, With Infinite Control | | | | | X | | | | | |
| | 225122 | Hatco Grn- 42 208v, Black, With Infinite Control | | | | | X | | | | | |
| | 225123 | Hatco Grn- 42 240v, Black, With Infinite Control | | | | | X | | | | | |
| | 225132 | Hatco Grn-48 120v, Black, With Infinite Control | | | | | | X | | | | |
| | 225133 | Hatco Grn-48 208v, Black, With Infinite Control | | | | | | X | | | | |
| | 114062 | Heat Lamp, 54, 208v | | | | | | | X | | | |
| | 225134 | Hatco Grn-54 120v, Black, With Infinite Control | | | | | | | X | | | |
| | 225124 | Hatco Grn- 60 120v, Black, With Infinite Control | | | | | | | | X | | |
| | 225125 | Hatco Grn- 60 208v, Black, With Infinite Control | | | | | | | | X | | |
| | 225126 | Hatco Grn- 60 240v, Black, With Infinite Control | | | | | | | | X | | |
| 225135 | Hatco Grn-66 120v, Black, With Infinite Control | | | | | | | | | X | | |
| 225136 | Hatco Grn-66 208v, Black, With Infinite Control | | | | | | | | | X | | |
| 225127 | Hatco Grn- 72 120v, Black, With Infinite Control | | | | | | | | | | X | |
| 225128 | Hatco Grn- 72 208v, Black, With Infinite Control | | | | | | | | | | X | |
| 225129 | Hatco Grn- 72 240v, Black, With Infinite Control | | | | | | | | | | X | |
| 2 | LED Bulbs | | | | | | | 8" | 12" | 24" | 34" | 46" |
| | 514966 | Led, Mini Tubular li, 24v, 8" | | | | | X | | | | | |
| | 514967 | Led, Mini Tubular li, 24v, 12" | | | | | | X | | | | |
| | 514968 | Led, Mini Tubular li, 24v, 4000k, 24" | | | | | | | X | | | |
| | 514969 | Led, Mini Tubular li, 24v, 4000k, 34" | | | | | | | | | X | |
| | 514970 | Led, Mini Tubular li, 24v, 4000k, 46" | | | | | | | | | | X |

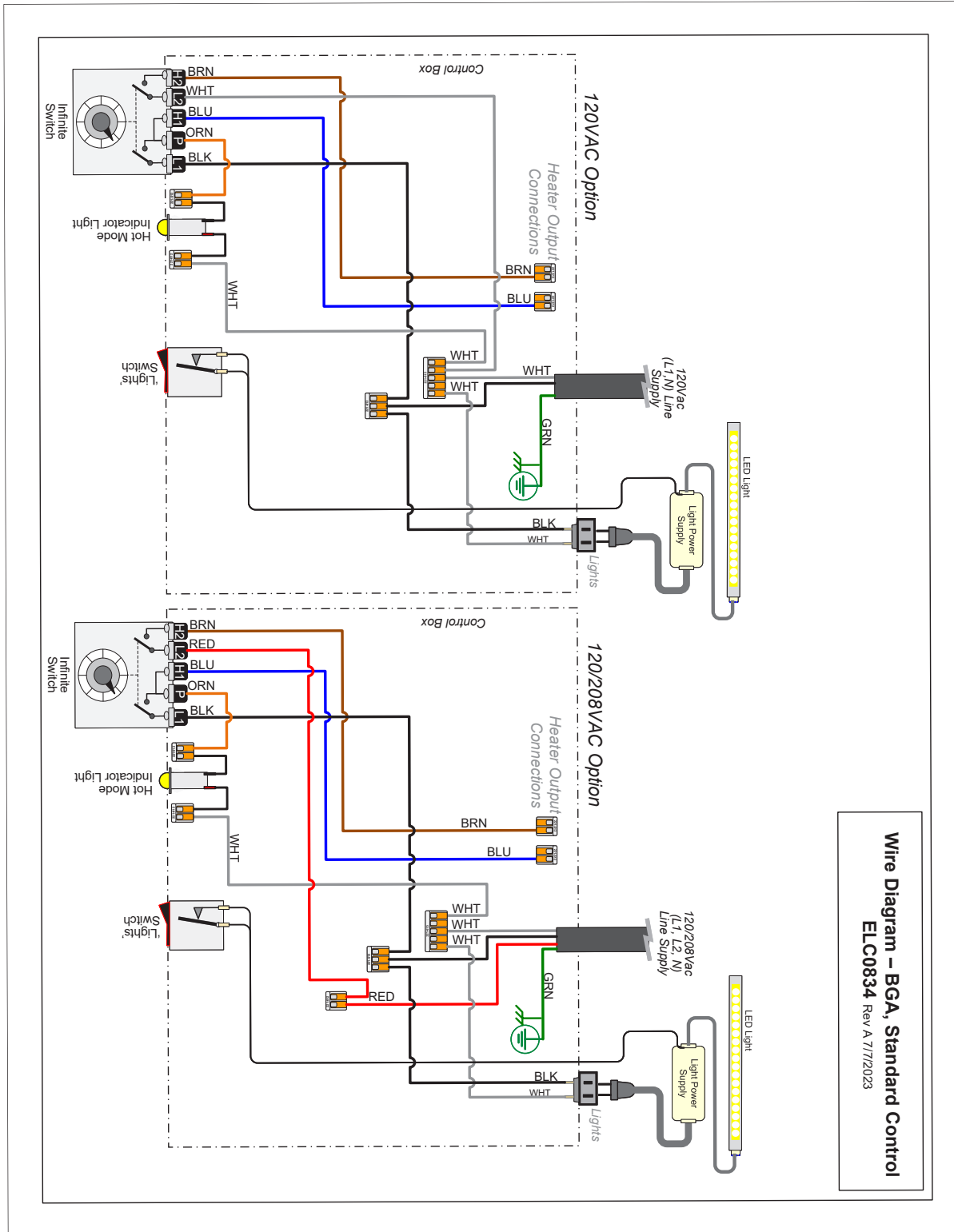
GUARD-EXPLODED VIEW



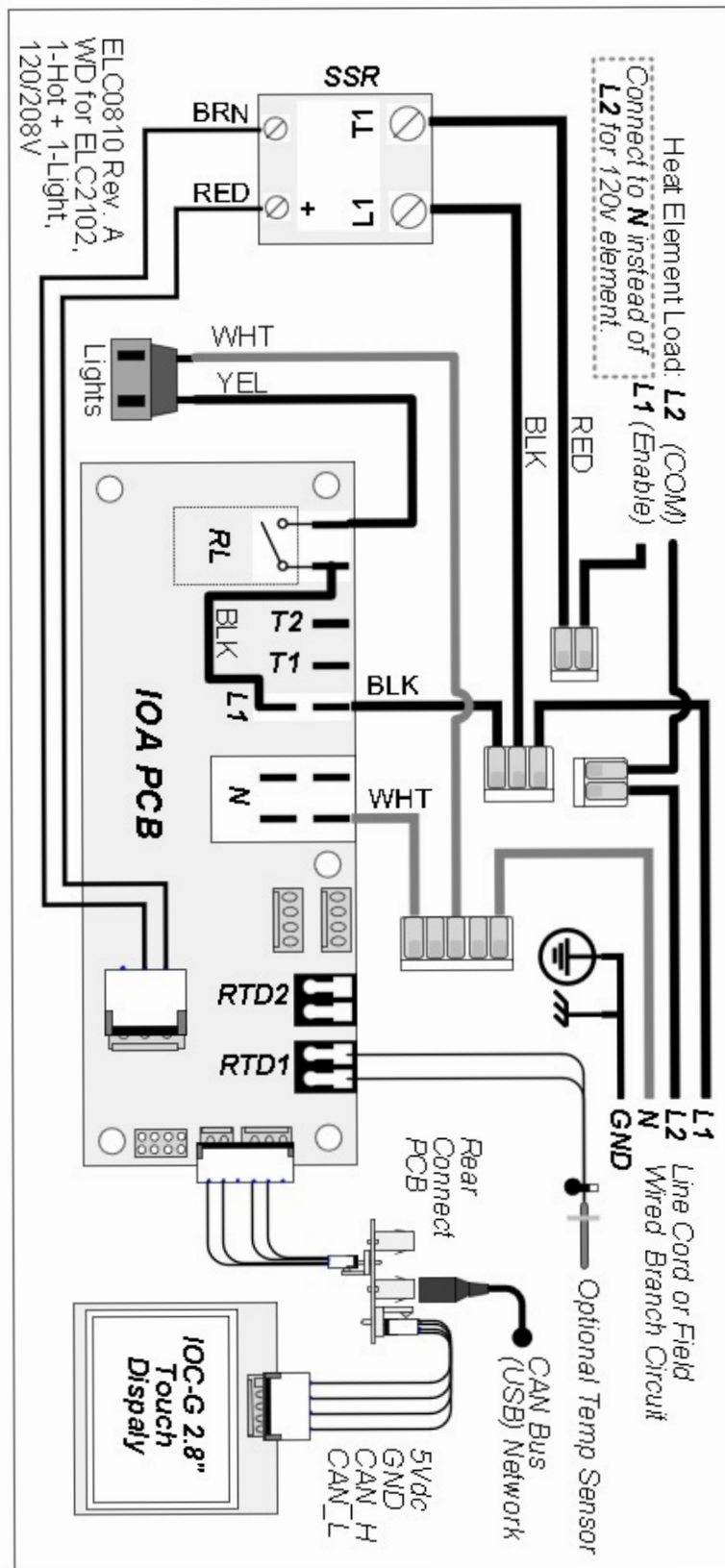
GUARD-PARTS LISTING

| Item | Part # | Description |
|------|-----------|---|
| 1 | 113026 | Assy, Stud, Glass, Bg1 |
| 2 | 114713-2 | Shoulder, Internally Threaded - 1/4-20 X 3/8 |
| 3 | 113002 | Washer, Flat, Nylon - .375id X .562od - Off White |
| 4 | 282019 | Glass, Wing, Bga-Govs |
| 5 | 1136-1085 | Plug, .375" Hole, Steel, Mcarr#9563k63 |
| 6 | 522029 | Washer, Flat, Clear, Vinyl (Hw058) |
| 7 | 524980 | Cap, 3/4" Ss Glass Fastener |
| 8 | 522028 | Washer, Flanged, Clear, Vinyl (Hw057) |

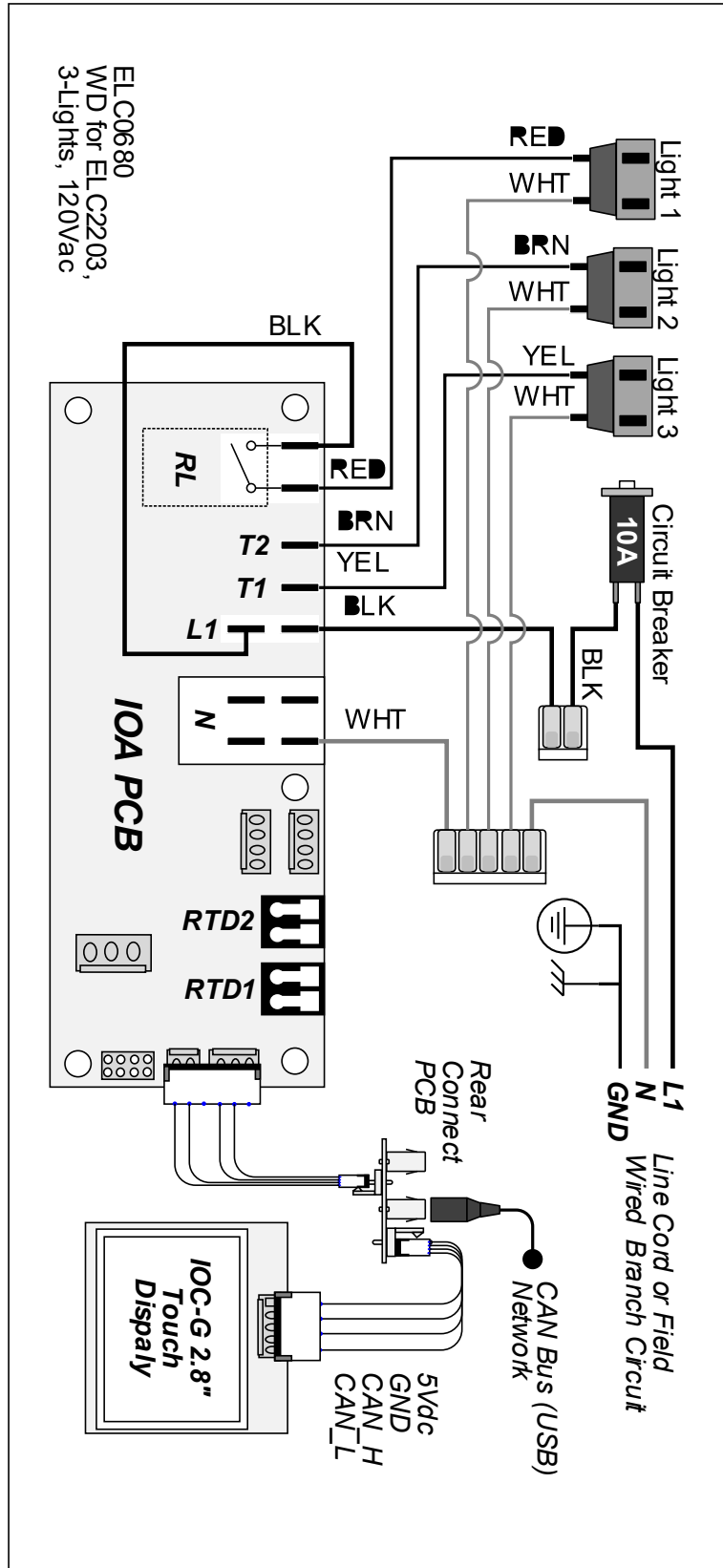
MECHANICAL CONTROL SCHEMATIC



TOUCH SCREEN CONTROL - HEAT & LED SCHEMATIC



TOUCH SCREEN CONTROL - LED ONLY SCHEMATIC



NOTES



Your Solutions Partner

Duke Manufacturing Company

**2305 N. BROADWAY
ST. LOUIS, MO 63102
PHONE: 314-231-1130
TOLL FREE: 1-800-735-3853
FAX: 314-231-5074
WWW.DUKEMFG.COM**