



# Replacement ice machines

for Symphony Plus™ 414 ice and water dispensers

## Replacement air- or water-cooled ice machine with up to 425 lb (193 kg) daily production of popular Chewblet® ice

- R290 refrigerant has a low environmental impact and nominal global warming potential (GWP)
- water and energy efficient
- stainless steel evaporator and auger
- quiet production without noisy harvest cycles

## Warranty

- 3 years parts and labor, 5 years compressor parts

## Accessories

Installation of an in-line water filtration system is recommended

Bacterial retentive water filter system (see form# 8320)  
(item# 01233659)

\_\_\_ ea. replacement water filter kit (item# 01244615)

Carbonless water filter kit (see form# 1058)  
(Item# CARBONLESSHICAPSYS)

\_\_\_ ea. extra primary water filter cartridge  
(item# CARBONLESSHICAPFILT)

\_\_\_ ea. extra pre-filter cartridge  
(item# SEDIMENTPREFILTER)

Standard carbon water filter kit (see form# 1058)  
(item# CARBONSTDCAPSYSTEM)

\_\_\_ ea. extra primary water filter cartridge  
(item# CARBONSTDCAPFILT)

\_\_\_ ea. extra pre-filter cartridge  
(item# SEDIMENTPREFILTER)

SafeCLEAN Plus™ ice machine cleaner

1 x 8 oz (237 ml) bottle (item# 01147826)

6 x 8 oz (237 ml) bottles (item# 01149954)

24 x 8 oz (237 ml) bottles (item# 01149962)

Nu-Calgon IMS-III sanitizer, 16 oz bottle  
(item# 00979674)

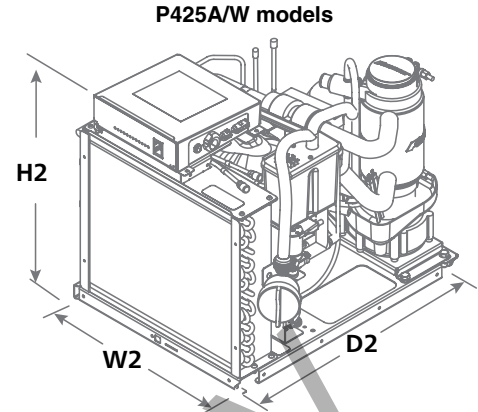
Symphony Plus 414 ice machines			
Dispenser series	Condenser	Model number	Item number
Countertop and wall mount dispensers with ice machine behind splash panel	air-cooled	25CI414A	<b>P414A</b>
		25HI414A	
		50CI414A	
	water-cooled	25CI414W	<b>P414W</b>
50CI414W			
Freestanding dispensers with ice machine in base	air-cooled	25FB414A	<b>P414A</b>
		50FB414A	
		110FB414A	
	water-cooled	25FB414W	<b>P414W</b>
		50FB414W	
		110FB414W	

## Specification

### P414A and P414W

<b>W2</b> Width	15.25" (38.7 cm)
<b>D2</b> Depth	19.85" (50.4 cm)
<b>H2</b> Overall height	16.83" (42.7 cm)
Electrical	7.2 amps
115 V/60/1	
Refrigerant	air-cooled models – R290, 3.49 oz (99 g) water-cooled models – R290, 1.83 oz (52 g)
Approximate net weight	109 lb (49 kg)
Approximate ship weight	130 lb (59 kg)

## Dimensional drawing



SYMPHONY PLUS and SAFECLEAN PLUS are trademarks of Follett Products, LLC.  
CHEWBLET, FOLLETT and RIDE are registered trademarks of Follett Products, LLC, registered in the U.S.  
Follett reserves the right to change specifications at any time without obligation. Certifications may vary depending on country of origin.